

**TANK  
ACCESSORIES**

**CATALOGUE**



**MPFILTRI®**

**PASSION TO PERFORM**



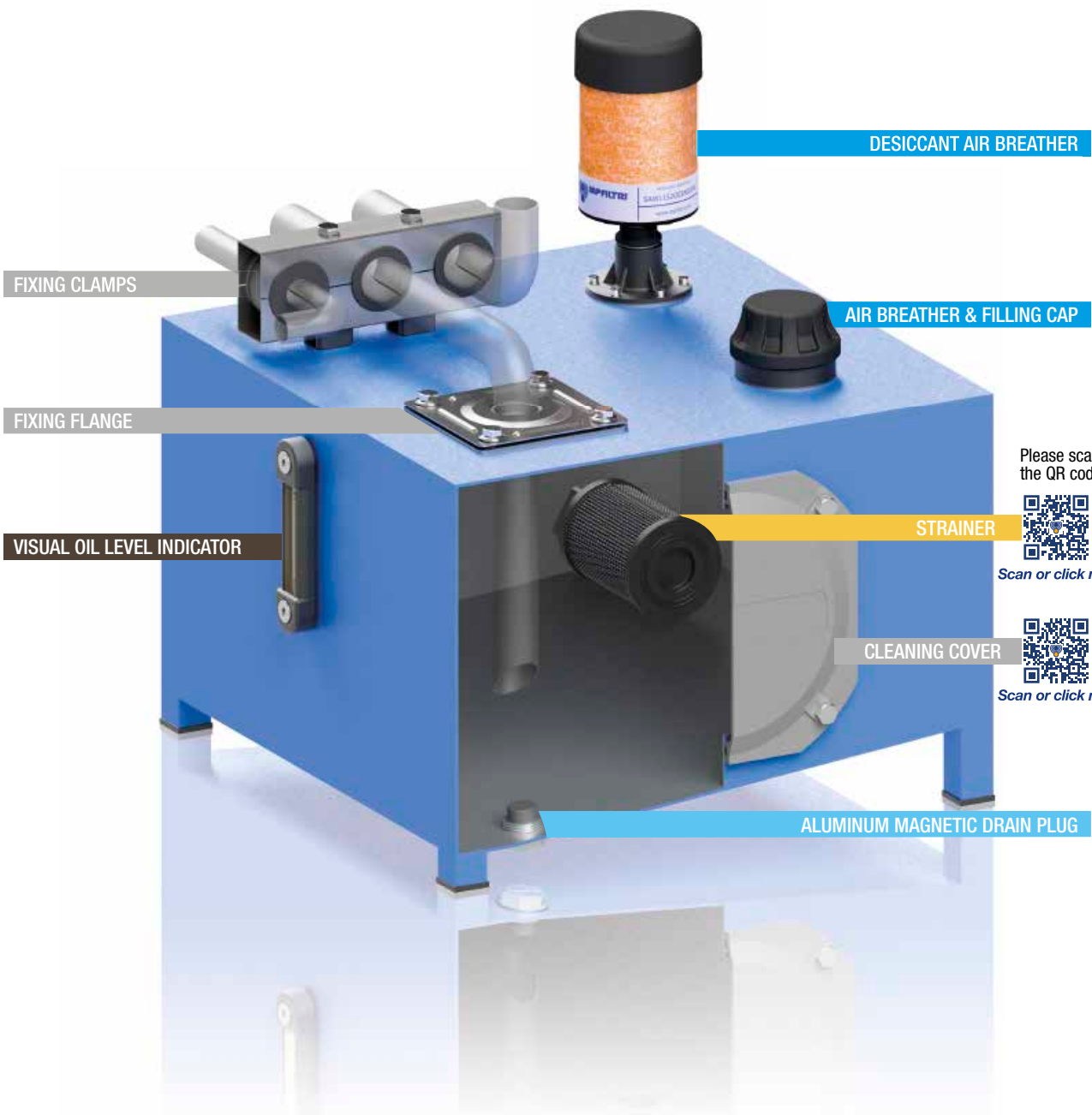




A WORLDWIDE LEADER IN THE FIELD  
OF HYDRAULIC FILTRATION EQUIPMENT.

Our company started life in 1964, when Bruno Pasotto decided to attempt to cater for the requests of a market still to be fully explored, with the study, design, development, production and marketing of a vast range of filters for hydraulic equipment, capable of satisfying the needs of manufacturers in all sectors. The quality of our products, our extreme competitiveness compared with major international producers and our constant activities of research, design and development has made us a worldwide leader in the field of hydraulic circuit filtering. Present for over 50 years in the market, we have played a truly decisive role in defining our sector, and by now we are a group capable of controlling our entire chain of production, monitoring all manufacturing processes to guarantee superior quality standards and to provide concrete solutions for the rapidly evolving needs of customers and the market.

# TANK ACCESSORIES



Please scan the QR codes:



Suction Filters

Scan or click me!



Power Transmission Accessories

Scan or click me!

<b>1</b>	<b>page</b>	<b>INTRODUCTION</b>
2		INDEX
4		COMPANY PROFILE
8		PRODUCT RANGE

<b>10</b>	<b>page</b>	<b>AIR BREATHERS AND FILLER PLUGS</b>
13	SAP 054-075 - SA	Air breathers
19	SAW 115	Moisture control desiccant air breathers
23	SCS	Metal air breathers with interchangeable filter element
29	SME 1 - SMF 1 - SML 1	Risers for breathers and filler caps installation
35	TA 46 - TAP 50 - SAP 50	Filler plug and air filter up to 200 l/min
43	TA 80	Steel filler plug and air filter up to 500 l/min
47	TAP 90	Filler plug and polyamide air filter up to 550 l/min
53	TAP 114	Filler plug and polyamide air filter up to 1600 l/min
57	TAP 115 & SAP 115	Filler plug and polyamide air filter up to 3000 l/min

<b>62</b>	<b>page</b>	<b>FILLER AND DRAIN PLUGS</b>
65	TC 50	Polyamide filler plug
69	TKT - TSD - TKM	Filler and draining plugs

<b>76</b>	<b>page</b>	<b>VISUAL OIL LEVEL INDICATORS</b>
79	LCP - LCC	Visual oil level indicator - round shape
85	LVA - LVU	Visual oil level indicator - vertical shape

<b>90</b>	<b>page</b>	<b>ELECTRICAL OIL LEVEL INDICATORS</b>
93	LEN - LEG - LET - LEM - LEU	Electric oil level indicator
95	LVK	Visual and Electric oil level indicator

<b>110</b>	<b>page</b>	<b>ACCESSORIES</b>
113	EM1	Pressure gauge isolator
119	SVM	Gauge selector valve
123	FTA - FTR	Oil tank fixing flange
127	MULTIFIT SFT	Fixing clamps

Our work is based on a skillful interaction between advanced technology and fine workmanship, **customizing products according to specific market requests**, focusing strongly on innovation and quality, and following every step in the manufacturing of both standard and special products, fully respecting customer expectations.

MARKET  
LEADER



Our customer-oriented philosophy, which enables us to satisfy all customer requests **rapidly** and **with personalized products**, makes us a **dynamic and flexible enterprise**.

The possibility of constantly controlling and monitoring the entire production process is essential to allow us to guarantee the quality of our products.

## WORLDWIDE PRESENCE



Scan or click me!

Our foreign Branches enable us to offer a diversified range of products that allow us to successfully face the aggressive challenge of international competition, and also to maintain a stable presence at a local level.

The Group boasts **9** business branches



## TECHNOLOGY

Our constant **quest for excellence in quality and technological innovation** allows us to offer only the best solutions and services for applications in many fields, including general industry, test rigs, lubrication, heavy engineering, renewable energies, naval engineering, offshore engineering, aviation systems, emerging technologies and mobile plant (i.e. tractors, excavators, concrete pumps, platforms).





## AND PRODUCTION

Our high level of technological expertise means **we can rely entirely on our own resources, without resorting to external providers.** This in turn enables us to satisfy a growing number of customer requests, also exploiting our constantly updated range of machines and equipment, featuring **fully-automated workstations** capable of **24-hour production.**





**SUCTION FILTERS**

- Mounting:
- Tank immersed
  - In-Line
  - In tank with shut off valve
  - In tank with flooded suction



**RETURN FILTERS**

- Mounting:
- In-Line
  - Tank top
  - In single and duplex designs



**RETURN / SUCTION FILTERS**

- Mounting:
- In-Line
  - Tank top



**SPIN-ON FILTERS**

- Mounting:
- In-Line
  - Tank top



**LOW & MEDIUM PRESSURE FILTERS**

- Mounting:
- In-Line
  - Parallel manifold version
  - In single and duplex designs



**HIGH PRESSURE FILTERS**

- Mounting:
- In-Line
  - Manifold
  - In single and duplex designs

# PRODUCT RANGE

MP Filtri can offer a vast and articulated range of products for the global market, suitable for all industrial sectors using hydraulic equipment.

This includes filters (suction, return, return/suction, spin-on, pressure, stainless steel pressure, ATEX filters) and structural components (motor/pump bell-housings, transmission couplings, damping rings, foot brackets, aluminium tanks, cleaning covers).

We can provide all the skills and solutions required by the modern hydraulics industry to monitor contamination levels and other fluid conditions.

Mobile filtration units and a full range of accessories allow us to supply everything necessary for a complete service in the hydraulic circuits.



## STAINLESS STEEL HIGH PRESSURE FILTERS

- Mounting:
- In-Line
  - Manifold
  - In single and duplex designs

## FILTERS FOR POTENTIALLY EXPLOSIVE ATMOSPHERE

- Mounting:
- In-Line

## CONTAMINATION CONTROL SOLUTIONS

- Off-line, in-line particle analyser
- Off-line bottle sampling products
- Fully calibrated using relevant ISO standards
- A wide range of variants to support fluid types and communication protocols
- Mobile Filtration Units with flow rates from 15 l/min up to 200 l/min

## POWER TRANSMISSION PRODUCTS

- Aluminium bell-housings for motors from 0.12 kW to 400 kW
- Couplings in Aluminium Cast Iron - Steel
- Damping rings
- Foot bracket
- Aluminium tanks
- Cleaning covers

## TANK ACCESSORIES

- Oil filler and air breather plugs
- Optical and electrical level gauges
- Pressure gauge valve selectors
- Pipe fixing brackets
- Pressure gauges

**The complete series of air breathers and filler plugs makes it possible to meet all market demands.**

**Metal and plastic versions suitable for use on mobile and industrial equipment are available.**

**Filler plugs perform a dual function, air filtration at the tank inlet and prefiltration of the fluid by means of the basket, in order to prevent the ingress of foreign material into the tank during filling and top-up operations.**

**Correct operation of breather filters makes for longer life of the filter cartridges installed in the hydraulic circuit, and in applications where high level of contamination are present.**

**Desiccant breathers are also available to absorb free water and moisture contained in the air entering into the tank.**

# Air Breathers & Filler Plugs



SAP 054-075 - SA	page 13
SAW 115	19
SCS	23
SME 1 - SMF 1 - SML 1	29
TA 46 - TAP 50 - SAP 50	35
TA 80	43
TAP 90	47
TAP 114	53
TAP 115 - SAP 115	57



# SAP 054-075 series

Polyamide air breather filter

# SA series

Metal air breather filter



# SAP 054-075 GENERAL INFORMATION

## Technical data

### Air breathers & Filler plugs

#### Polyamide air breather filter Flow rate up to 400 l/min

SAP is a range of plastic air breathers for protection of the tank against the solid contamination contained into the air. They are directly fitted on the tank.

#### Available features:

- Male threaded connections up to 3/4", for a maximum flow rate of 400 l/min
- Replaceable filter element
- Fine cellulose filtration, to get a good cleanliness level into the reservoir
- Polyester media is an option for heavy environmental conditions (high humidity, sand ...)

#### Common applications:

- Mobile machines (construction and agriculture machines)
- Industrial equipment

### Flow rate $\Delta p$ 0.02 bar

	Flow rate [l/min]	
	Filtration rating	L03
<b>SAP054</b>	200	250
<b>SAP075</b>	350	400

### Materials

- Cover: Polyamide
- Connection: Polyamide
- Filter element: Resin impregnated paper

### Temperature

From -25 °C to +100 °C

### Weight

SAP 054 - 0.06 kg  
SAP 075 - 0.15 kg



## Designation & Ordering code

### COMPLETE AIR FILTER

Series and size	Configuration example: SAP054 G2 L10 A P01				
<b>SAP054</b>					
<b>SAP075</b>					
Connections	SAP054	SAP075			
<b>G1</b>	G 3/8"	G 1/2"			
<b>G2</b>	G 1/2"	G 3/4"			
Filtration rating					
<b>L03</b>	Resin impregnated paper	3 µm			
<b>L10</b>	Resin impregnated paper	10 µm			
Seals					
<b>A</b>	NBR				
			Execution		
			<b>P01</b>	MP Filtri standard	
			<b>Pxx</b>	Customized	

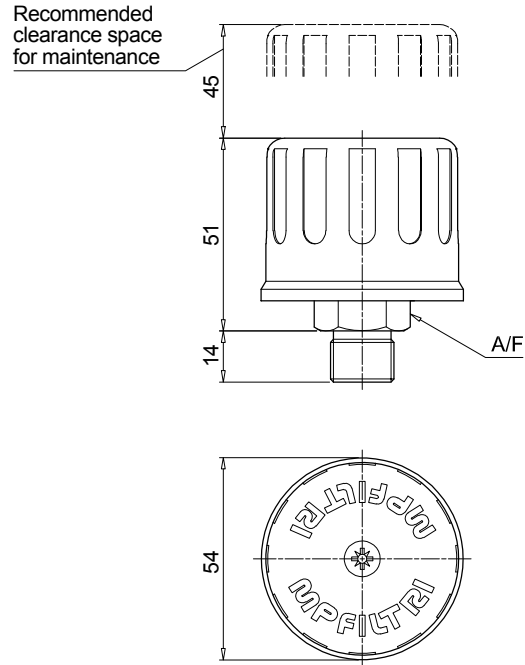
### FILTER ELEMENT

Filter element series and size	Configuration example: A4 L10 P01			
<b>A4</b>	SAP054			
<b>A7</b>	SAP075			
Filtration rating				
<b>L03</b>	Resin impregnated paper	3 µm		
<b>L10</b>	Resin impregnated paper	10 µm		
			Execution	
			<b>P01</b>	MP Filtri standard
			<b>Pxx</b>	Customized



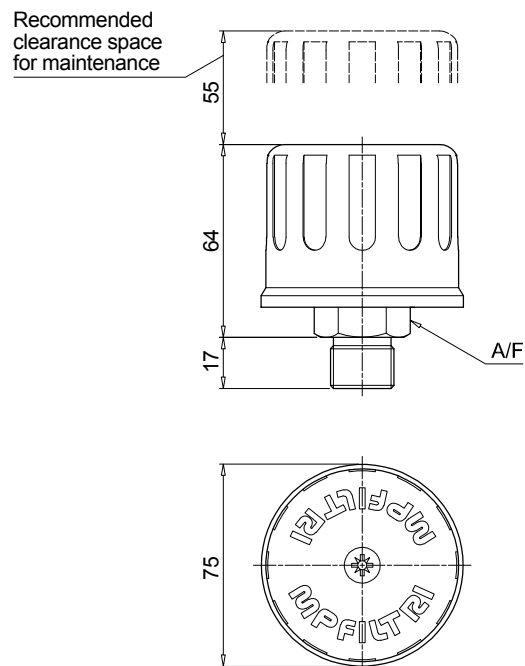
### SAP054

Connections	A/F [mm]
<b>G1</b>	22
<b>G2</b>	27



### SAP075

Connections	A/F [mm]
<b>G1</b>	27
<b>G2</b>	32



## Technical data

### Air breathers & Filler plugs

#### Metal air breather filter Flow rate up to 2500 l/min

SA is a range of metal air breathers for protection of the tank against the solid contamination contained into the air.

They are directly fitted on the tank. The robust design allows the use of these filters in any heavy-duty application.

#### Available features:

- Male threaded connections up to 2 1/2", for a maximum flow rate of 2500 l/min
- Replaceable filter element
- Fine cellulose filtration, to get a good cleanliness level into the reservoir
- Polyester media is an option for heavy environmental conditions (high humidity, sand ...)

#### Common applications:

- Mobile machines (construction and agriculture machines)
- Industrial equipment

#### Flow rate $\Delta p$ 0.02 bar

	Flow rate [l/min]	
	Filtration rating	L03
<b>SA036</b>	140	140
<b>SA053</b>	250	250
<b>SA075</b>	350	400
<b>SA115</b>	800	850
<b>SA145</b>	1800	1850
<b>SA185</b>	2300	2500

#### Materials

- Cover: Steel
- Connection: Anodized steel, Galvanized steel
- Filter element: Resin impregnated paper
- Screws: Galvanized steel
- Washer: Teflon
- Ring: Galvanized steel
- Seals: NBR

#### Temperature

From -25 °C to +100 °C

#### Weight

SA 036	0.08 kg
SA 053	0.15 kg
SA 075	0.26 kg
SA 115	0.40 kg
SA 145	0.59 kg
SA 185	1.22 kg



## Designation & Ordering code

### COMPLETE AIR BREATHER

#### Series and size

**SA036** | **SA053** | **SA075** | **SA115** | **SA145** | **SA185**

Configuration example: SA115 G1 L10 A P01

#### Connections

	SA036	SA053	SA075	SA115	SA145	SA185
<b>G1</b>	G 1/4"	G 1/4"	G 1/2"	G 1"	G 1 1/2"	G 2 1/2"
<b>G2</b>	G 3/8"	G 3/8"	G 3/4"	-	-	-
<b>G3</b>	G 1/2"	-	-	-	-	-
<b>G4</b>	1/4" NPT	1/4" NPT	1/2" NPT	1" NPT	1 1/2" NPT	2 1/2" NPT
<b>G5</b>	3/8" NPT	3/8" NPT	3/4" NPT	-	-	-
<b>G6</b>	1/2" NPT	-	-	-	-	-

#### Filtration rating

<b>L03</b>	Resin impregnated paper	3 $\mu$ m
<b>L10</b>	Resin impregnated paper	10 $\mu$ m
<b>S</b>	Without filter element	

#### Seals

**A** NBR

#### Execution

**P01** MP Filtri standard

**Pxx** Customized

### FILTER ELEMENT

#### Filter element series and size

**A05** | **A5** | **A7** | **A8** | **A10** | **A11**

Configuration example: A8 L10 P01

#### Filtration rating

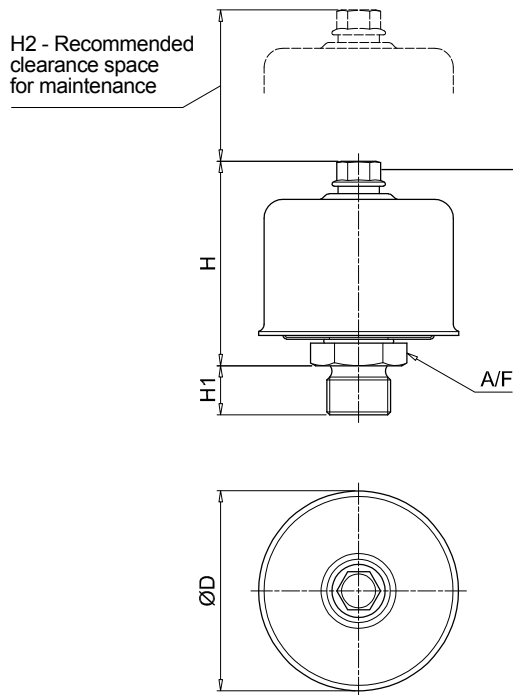
<b>L03</b>	Resin impregnated paper	3 $\mu$ m
<b>L10</b>	Resin impregnated paper	10 $\mu$ m

#### Execution

**P01** MP Filtri standard

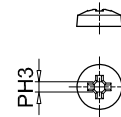
**Pxx** Customized

SA

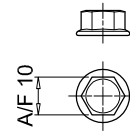


### Type of bolt/nut

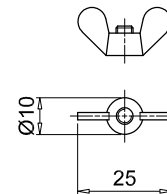
**Phillips:**  
SA036



**Hexagonal:**  
SA053  
SA075  
SA115  
SA145



**Wings:**  
SA185



Type	Connections	ØD [mm]	H [mm]	H1 [mm]	H2 [mm]	A/F [mm]
<b>036</b>	G1 ÷ G6	36	37	13	30	22
<b>053</b>	G1-G2-G4-G5	53	53	13	50	22
<b>075</b>	G1	75	69	13	60	27
	G2			17		32
	G4			15		27
	G5			20		32
<b>115</b>	G1 - G4	115	80	17	70	38
<b>145</b>	G1 - G4	145	115	25	100	55
<b>185</b>	G1 - G4	185	164	25	150	90



# SAW 115 series

Moisture control desiccant air breathers



# SAW 115 GENERAL INFORMATION

## Technical data

### Air breathers & Filler plugs

#### Moisture control desiccant air breathers

#### Max air flow up to 453 l/min

SAW is a range of desiccant breathers; they are products that combine the filtration of the solid contamination and the absorption of the free water contained into the air.

They are directly fitted on the tank; the filter layers remove the solid contamination while the desiccant agent holds the moisture contained in the air that enters into the tank as result of the tank breathing.

While in service or during shut-down, the desiccant agent dries the equipment, absorbing moisture from the reservoir.

#### Available features:

- Male threaded connections up to 1", for a maximum flow rate of 453 l/min
- Fine filtration rating, to get a good cleanliness level into the reservoir

#### Common applications:

Hydraulic systems, oil storage, tanks, transformers, renewable energy, Gearboxes.

#### Chemical Compatibility

Recommended:

- All Gear Oil
- Most Hydraulic Fluid
- Mineral and Synthetic Oil

Not Recommended:

- Phosphate Ester
- Hydrogen Sulphide
- Sulphuric Acid
- High Alkaline Cleaner

#### Flow rate $\Delta p$ 0.02 bar

	Flow rate [l/min]
Filtration rating	03
<b>SAW115</b>	453

#### Materials

Connection: Polyamide  
Internal Support Pipe: Polyamide  
Screen: Polycarbonate  
Cover: Polyamide  
Dryer Agent: Silica Gel

**Filter Efficiency** 3  $\mu$ m absolute ( $B_3 \geq 200$ )

**Seals** NBR

**Temperature** From -25 °C to +90 °C

#### Humidity Level Below Ambient Conditions

SAW115G03A00P01: protects 30.000 + cycles

Deliquescent: Protects 5.000 cycles  
(Testing parameters 23°C, 30 l/min)

#### Silica Gel Weight

Length 1 0.32 kg

Length 2 0.56 kg

Length 3 0.84 kg

#### Total Weight

Length 1 0.60 kg

Length 2 0.90 kg

Length 3 1.20 kg



## Designation & Ordering code

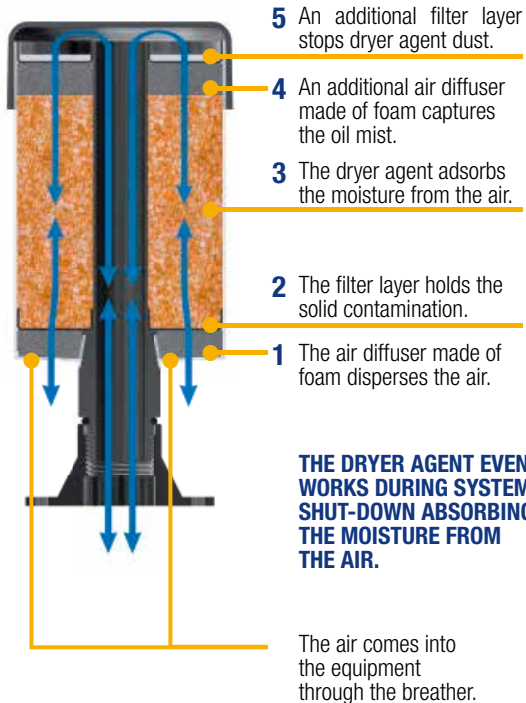
### COMPLETE AIR FILTER

Serie	Configuration example:	SAW115	1	G	03	A	0	0	P01
<b>SAW115</b>									
<b>Length</b>			1   2   3						
<b>Connections</b>				G					
				1"					
<b>Filtration rating</b>					03				
					Inorganic microfiber 3 $\mu$ m				
<b>Seals</b>						A			
						NBR			
<b>Valve</b>							0		
							Without valve		
<b>Option</b>								0	
								Standard	
<b>Execution</b>									P01
									MP Filtri standard
									Pxx
									Customized

### ACCESSORIES

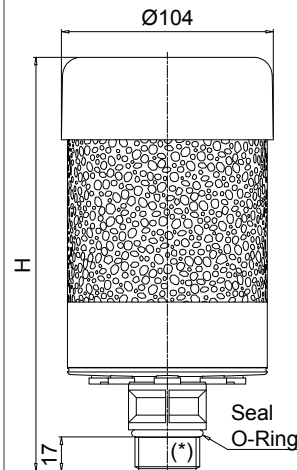
Serie	Configuration example:	SMG1	S	A	P02
<b>SMG</b> Adapter Flange					
<b>Connections</b>					
			S		
			Without screws		
<b>Seals</b>				A	
				NBR	
<b>Execution</b>					P02
					MP Filtri standard

### How does SAW Series works

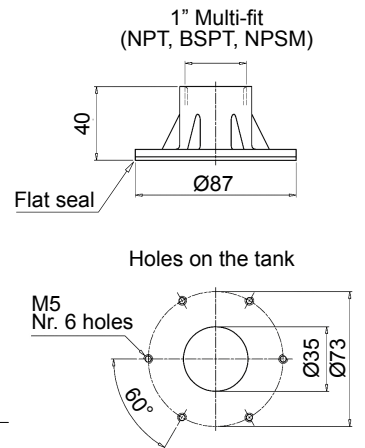


### SAW115

Length	H [ mm ]
1	154
2	205
3	256



Optional 6-hole tank flange  
SMG1 type



(\*) 1" Multi-fit (NPT, BSPT, NPSM)

## Silica gel

Active breather



Depleted breather



Silica gel is the most efficient and economic moisture adsorbent for general applications.

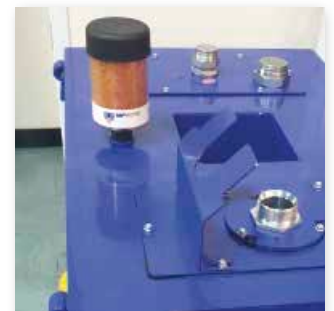
A white breather means the unit has done its job keeping moisture out of your lubricants.

Whenever the colour changes from orange to white it's time to replace the breather with a new one.

All breathers should be changed at least once a year.

#### IMPORTANT

Dispose of the exhausted silica gel according to the regulations in force in the country of use.



## Air vent holes

Max hydraulic flow rate [ l/min (cfm) ]	Holes to open
up to 110 (4)	2
from 111 to 220 (4-8)	4
from 221 to 330 (8-12)	6
from 331 to 452 (12-16)	8

#### IMPORTANT INSTALLATION INFORMATION

- The air vent holes are plugged for any new breather
- The plugs protect the dryer agent during storage and shipment
- The plugs must be taken out during the installation, according to the max hydraulic flow rate







# SCS series

Metal air breathers with interchangeable filter element



## Technical data

### Air breathers & Filter plugs

#### Metal air breathers with interchangeable filter element Flow rate up to 1330 l/min

SCS is a range of air breathers for protection of the tank against the solid contamination contained into the air.

They are composed of a spin-on filter can screwed on a connection tube, directly fitted on the tank. They are directly fitted on the tank.

#### Available features:

- Weld or flanged connection, for a maximum flow rate of 1415 l/min
- Fine cellulose and microfibre filtration, to get a good cleanliness level into the reservoir

#### Common applications:

- Mobile machines (construction and agriculture machines)
- Industrial equipment

### Flow rate $\Delta p$ 0.02 bar

	Flow rate [l/min]			
	Filtration rating	P10	A03	A10
<b>SCS050</b>	550	515	530	
<b>SCS070</b>	550	515	530	
<b>SCS100</b>	1415	1300	1330	
<b>SCS150</b>	1415	1300	1330	

### Materials

Riser: Galvanized steel

### Temperature

From -25 °C to +100 °C

### Weight

SCS050...G1	0.200 kg
SCS050...G2	0.265 kg
SCS100...G1	0.450 kg
SCS100...G2	0.645 kg

CS/CG050	0.73 kg
CS/CG070	0.95 kg
CS100	1.3 kg
CS150	1.6 kg
CG100	1.3 kg
CG150	1.6 kg



## Designation & Ordering code

### COMPLETE AIR FILTER

Series and size				Configuration example 1: SCS050 C G2 V P01						
<b>SCS050</b>	<b>SCS070</b>	<b>SCS100</b>	<b>SCS150</b>	Configuration example 2: SCS150 C G2 A10 V P01						
Connections										
<b>C</b>	Weld riser									
<b>F</b>	Screwed flange									
Threaded connection		SCS050 - 070		SCS100 - 150						
<b>G1</b>	ISO 228	G 3/4"	G 1 1/4"							
<b>G2</b>	U.S. standard	1" - 12 UNF	1 1/2" - 16 UN							
Filtration rating		Size:	050	070	100	150				
Without filter element			•	-	•	-				
<b>A03</b>	Inorganic microfiber	3 µm	•	•	•	•				
<b>A10</b>	Inorganic microfiber	10 µm	•	•	•	•				
<b>P10</b>	Resin impregnated paper	10 µm	•	•	•	•				
Seals								Execution		
<b>A</b>	NBR							<b>P01</b>	MP Filtri standard	
<b>V</b>	FPM							<b>Pxx</b>	Customized	

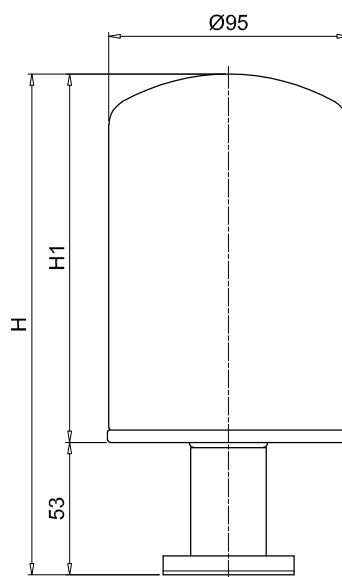
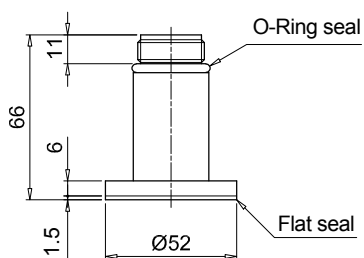
### FILTER ELEMENT

Filter element series		Threaded connection:		Configuration example: CG 150 A10 V P01					
<b>CS</b>	Connection ISO 228	G1	G2						
<b>CG</b>	Connection U.S. standard								
Filter element size									
<b>050</b>	<b>070</b>	<b>100</b>	<b>150</b>						
Filtration rating									
<b>A03</b>	Inorganic microfiber	3 µm							
<b>A10</b>	Inorganic microfiber	10 µm							
<b>P10</b>	Resin impregnated paper	10 µm							
Seals								Execution	
<b>A</b>	NBR							<b>P01</b>	MP Filtri standard
<b>V</b>	FPM							<b>Pxx</b>	Customized

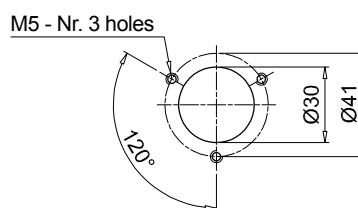
### SCS050-070

#### Screwed flange

Size	H [mm]	H1 [mm]
<b>050</b>	199	146
<b>070</b>	263	210



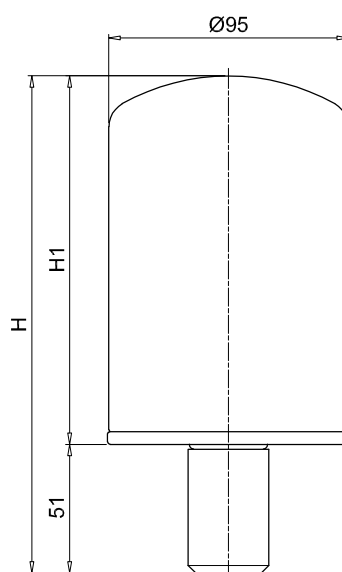
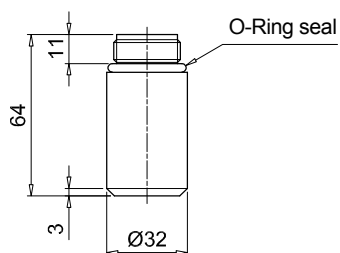
Holes on the tank



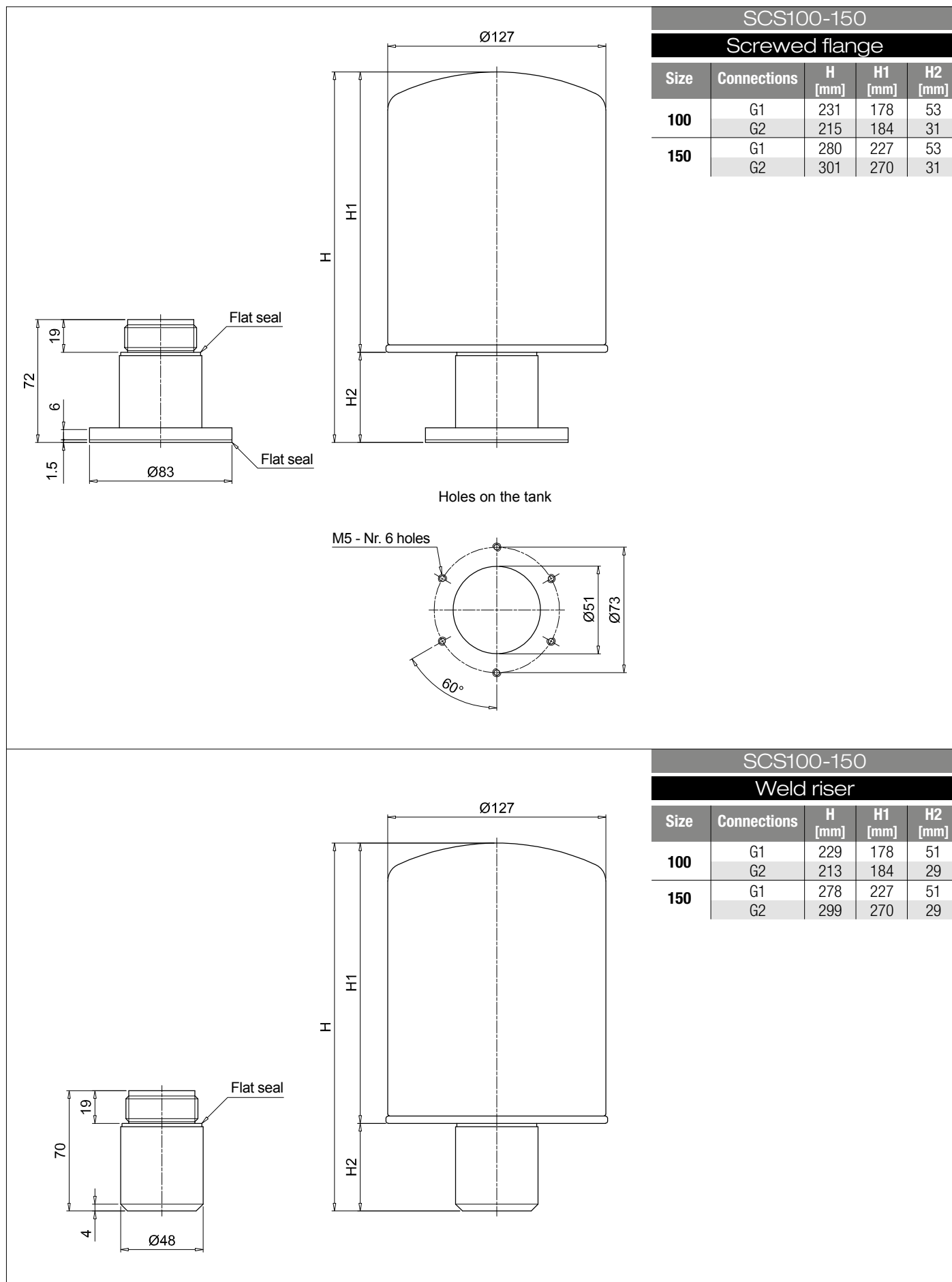
### SCS050-070

#### Weld riser

Size	H [mm]	H1 [mm]
<b>050</b>	197	146
<b>070</b>	261	210



## Dimensions







# SME 1 - SMF 1 - SML 1 series

Risers for breathers and filler caps installation



### Technical data

#### Air breathers & Filler plugs

#### Risers for breathers and filler caps installation

SME/SMF/SML are ranges of risers for installation of the breathers and filler caps in any place on the tank. They make the maintenance operation easy and fast.

#### Available features:

- SME: vertical riser made of polyamide for polyamide tanks, mainly used in the mobile machines
- SMF: sloping riser made of polyamide for polyamide tanks, mainly used in the mobile machines
- SML: sloping riser made of aluminum for metal tanks, mainly used in the industrial equipment and heavy-duty applications

#### Materials SME

- Body: Polyamide
- Seals: NBR
- Screws: Galvanized steel

#### Materials SMF

- Body: Polyamide
- Seals: NBR
- Screws: Galvanized steel

#### Materials SML

- Body: Aluminium
- Seals: NBR
- Screws: Galvanized steel

#### Temperature

From -25 °C to +100 °C

#### Weight

SME	0.250 kg
SMF	0.325 kg
SML	0.380 kg



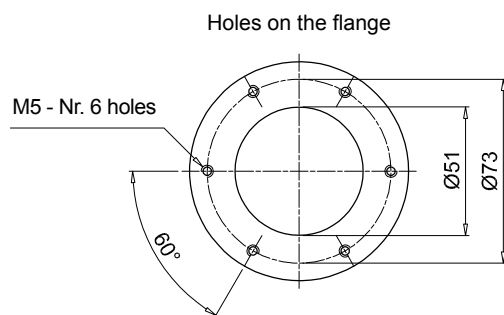
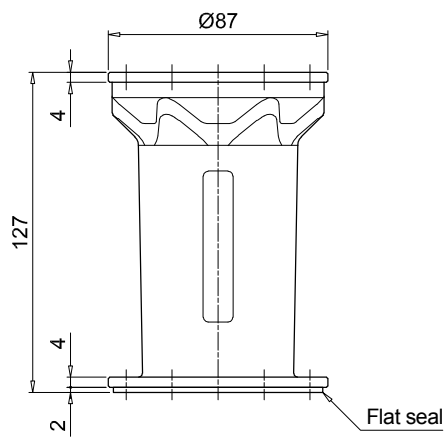
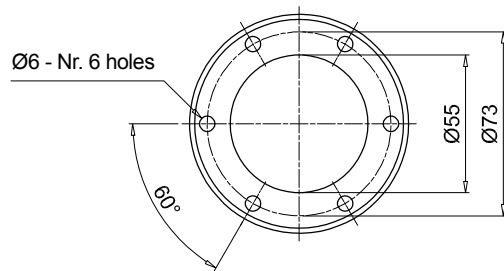
### Designation & Ordering code

#### COMPLETE ADAPTER

Series				Configuration example: SMF1 M A P01			
<b>SME1</b>	Polyamide vertical riser						
<b>SMF1</b>	Polyamide sloping riser						
<b>SML1</b>	Aluminium sloping riser						
Connections							
<b>M</b>	Metric screws						
<b>U</b>	UNC screws						
Seals							
<b>A</b>	NBR						
Execution		Series					
		SME1	SMF1	SML1			
<b>P01</b>	MP Filtri standard	-	•	•			
<b>P02</b>	Standard without logo	•	-	-			

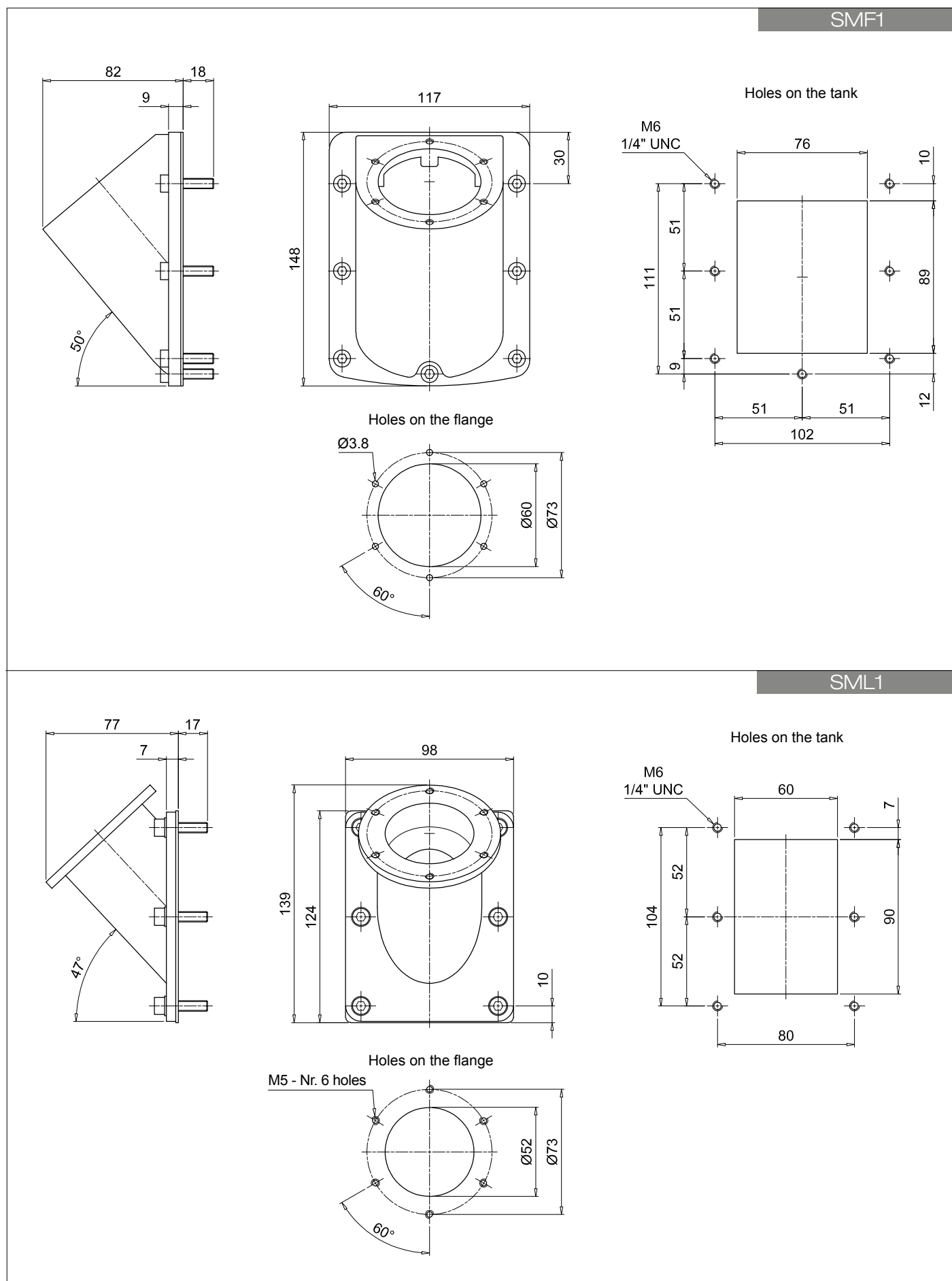


SME1



# SME 1-SMF 1-SML 1

## Dimensions







# TA 46    TAP 50    SAP 50 series

**Steel filler plug  
and air filter**

**Polyamide  
filler plug**

**Polyamide  
air filter**



## Technical data

### Air breathers & Filler plugs

#### Steel filler plug and air filter Flow rates up to 200 l/min

TA46 is a range of compact metal air breathers and filler caps for protection of the tank against the solid contamination contained into the air and filling of the fluid into the systems during the commissioning and maintenance procedures. They are directly fitted on the tank. The robust design allows the use of these filters in any heavy-duty application.

#### Available features:

- Male threaded connections up to 1/4" and flanged connection with bayonet, for a maximum flow rate of 200 l/min
- Fine cellulose filtration, to get a good cleanliness level into the reservoir
- Filling basket, to hold the coarse contamination contained into the fluid and to diffuse the fluid flow into the tank

#### Common applications:

- Compact hydraulic systems
- Compact mobile machines
- Industrial equipment

#### Flow rate $\Delta p$ 0.02 bar

TA46	Flow rate [l/min]	
	Filtration rating 03	10
	150	200

#### Materials (version G/N)

- Cover: Chrome plated steel
- Filter element: Resin impregnated paper, Polyurethane
- Flange: Galvanized steel
- Connection: Phosphatized steel

#### Materials (version B)

- Cover: Chrome plated steel
- Filter element: Resin impregnated paper, Polyurethane
- Flange: Galvanized steel
- Connection: Galvanized steel
- Seals: NBR
- Chain: Brass
- Screws: Galvanized steel
- Basket: Galvanized steel

#### Temperature

From -25 °C to +100 °C

#### Weight

TA 46 B 0.10 kg  
TA 46 G/N 0.11 kg



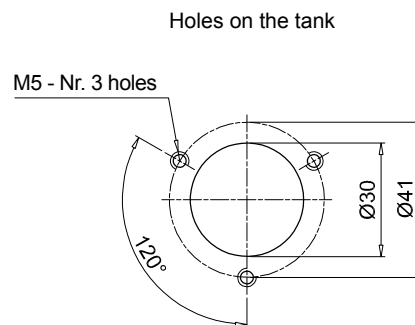
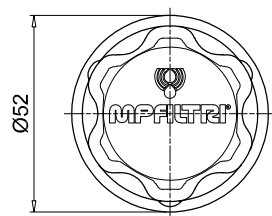
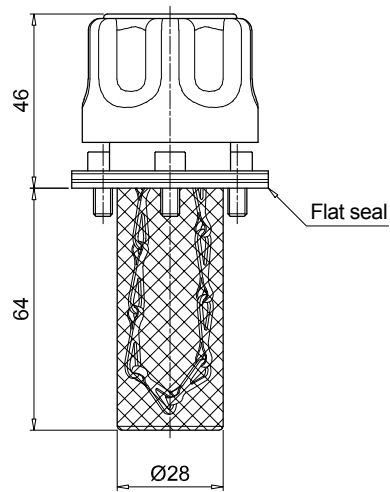
## Designation & Ordering code

### COMPLETE FILLER PLUG

<b>Serie</b> <b>TA46</b>	Configuration example 1:	TA46	B	03	A	0	0	1	P01
	Configuration example 2:	TA46	G	10					P01
<b>Connections</b>									
<b>B</b>	Screwed flange with bayonet mount								
<b>G</b>	G 1/4"								
<b>N</b>	1/4" NPT								
<b>Filtration rating</b>									
<b>03</b>	Resin impregnated paper	3 $\mu$ m							
<b>10</b>	Polyurethane	10 $\mu$ m							
<b>Seals</b>									
<b>A</b>	NBR	Connection:	B	G	N				
			•	-	-				
<b>Valve</b>									
<b>0</b>	Without valve	Connection:	B	G	N				
			•	-	-				
<b>Version</b>									
<b>0</b>	Standard	Connection:	B	G	N				
			•	-	-				
<b>Basket</b>									
<b>1</b>	With basket	Connection:	B	G	N				
			•	-	-				
<b>Execution</b>									
	<b>P01</b>	MP Filtri standard							
	<b>Pxx</b>	Customized							

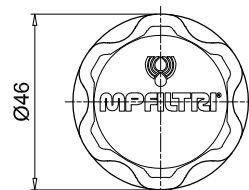
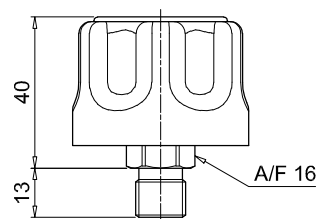
TA46

Screwed flange



TA46

Threaded connection



# TAP 50 GENERAL INFORMATION

## Technical data

### Air breathers & Filler plugs

#### Filler plug and polyamide air filters

#### Flow rates up to 200 l/min

TAP50 is a range of compact plastic air breathers and filler caps for protection of the tank against the solid contamination contained into the air and filling of the fluid into the systems during the commissioning and maintenance procedures.

#### Available features:

- Flanged connection with bayonet, for a maximum flow rate of 200 l/min
- Fine cellulose filtration, to get a good cleanliness level into the reservoir
- Filling basket, to hold the coarse contamination contained into the fluid and to diffuse the fluid flow into the tank
- Pressurization valve, to guarantee a positive pressure into the tank

#### Common applications:

- Compact hydraulic systems
- Compact mobile machines
- Industrial equipment

#### Flow rate $\Delta p$ 0.02 bar

	Flow rate [l/min]	
	Filtration rating 03	10
<b>TAP50</b>	180	202

#### Materials

- Cover/ringnut: Polyamide
- Filter element: Resin impregnated paper, Polyurethane
- Pressurization valve: Polyamide, Galvanized steel, NBR
- Seals: NBR
- Flange: Polyamide
- Screws: Galvanized steel
- Basket: Polyamide

#### Temperature

From -25 °C to +100 °C

#### Weight

TAP 50 0.60 kg

#### Quantity

10 pcs/pack



## Designation & Ordering code

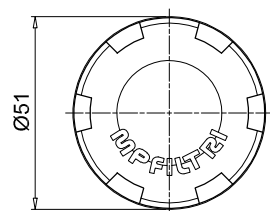
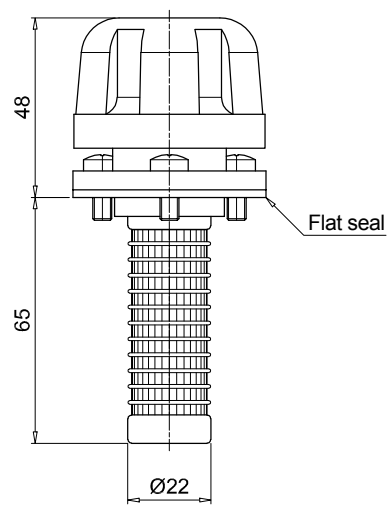
### COMPLETE FILLER PLUG

Serie	Configuration example:							TAP50	C	03	A	1	1	P01	
<b>TAP50</b>															
<b>Connections</b>															
<b>C</b>	Screwed flange with G 3/4" mount														
<b>Filtration rating</b>															
<b>03</b>	Resin impregnated paper 3 µm														
<b>10</b>	Polyurethane 10 µm														
<b>Seals</b>															
<b>A</b>	NBR														
<b>Valve</b>															
<b>0</b>	Without valve														
<b>1</b>	0.5 bar pressurization valve														
<b>Basket</b>															
<b>1</b>	With basket														
<b>Execution</b>															
							<b>P01</b>	MP Filtri standard							
							<b>Pxx</b>	Customized							



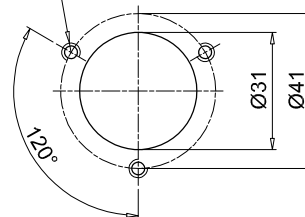
TAP50

Screwed flange



Holes on the tank

M5 - Nr. 3 holes



# SAP 50 GENERAL INFORMATION

## Technical data

### Air breathers & Filler plugs

#### Air breathers

#### Flow rates up to 200 l/min

SAP50 is a range of compact plastic air breathers for protection of the tank against the solid contamination contained into the air. They are directly fitted on the tank.

#### Available features:

- Male threaded connections up to 3/4", for a maximum flow rate of 200 l/min
- Fine cellulose filtration, to get a good cleanliness level into the reservoir
- Pressurization valve, to guarantee a positive pressure into the tank

#### Common applications:

- Compact hydraulic systems
- Compact mobile machines
- Industrial equipment

#### Flow rate $\Delta p$ 0.02 bar

SAP50	Flow rate [l/min]	
	Filtration rating 03	10
	180	204

#### Materials

- Cover/Connection: Polyamide
- Filter element: Resin impregnated paper, Polyurethane
- Pressurization valve: Polyamide, Galvanized steel, NBR
- Seals: NBR

#### Temperature

From -25 °C to +100 °C

#### Weight

SAP 50 0.40 kg

#### Quantity

10 pcs/pack



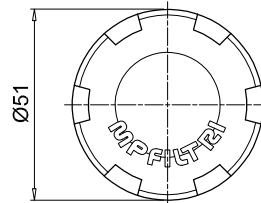
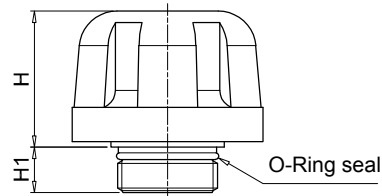
## Designation & Ordering code

### COMPLETE AIR FILTER

Serie	Configuration example:						
<b>SAP50</b>	SAP50	G3	L03	A	1	0	P01
<b>Connections</b>							
G1	G 1/4"						
G2	G 3/8"						
G3	G 1/2"						
G4	G 3/4"						
G9	SAE 6 - 9/16" - 18 UNF						
G10	SAE 12 - 1 1/16" - 12 UN						
<b>Filtration rating</b>							
L03	Resin impregnated paper 3 µm						
L10	Polyurethane 10 µm						
<b>Seals</b>							
A	NBR						
<b>Valve</b>							
		Connection					
		G1	G2	G3	G4	G9	G10
0	Without valve	•	•	•	•	•	•
1	0.5 bar pressurization valve	-	•	•	•	-	•
<b>Basket</b>							
0	Without basket						
<b>Execution</b>							
P01	MP Filtri standard						
Pxx	Customized						

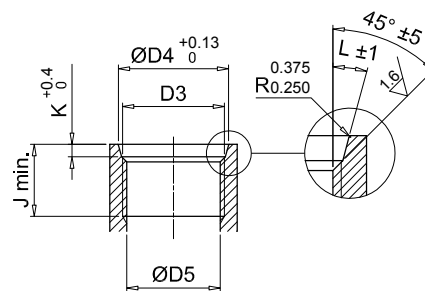
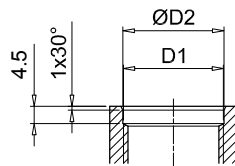
SAP50

Threaded connection



Housing on the tank for connections BPS

Housing on the tank for connections SAE



Connections	H [mm]	H1 [mm]	D1 [mm]	ØD2 [mm]	D3 [mm]	ØD4 [mm]	ØD5 [mm]	J min. [mm]	K [mm]	L
<b>G1</b>	36	12	G 1/4"	13.5	-	-	-	-	-	-
<b>G2</b>	36	12	G 3/8"	17	-	-	-	-	-	-
<b>G3</b>	36	12	G 1/2"	21.5	-	-	-	-	-	-
<b>G4</b>	36	12	G 3/4"	26.7	-	-	-	-	-	-
<b>G9</b>	36	12	-	-	SAE 6 - 9/16" - 18 UNF	15.6	13.081 12.751	12.7	2.5	12°
<b>G10</b>	35	14.5	-	-	SAE 12 - 1 1/16" - 12 UN	29.2	24.978 24.696	19	3.3	15°



# TA 80 series

Steel filler plug and air filter up to 550 l/min



# TA 80 GENERAL INFORMATION

## Technical data

### Air breathers & Filler plugs

#### Steel filler plug and air filter Flow rates up to 550 l/min

TA80 is a range of metal air breathers and filler caps for protection of the tank against the solid contamination contained into the air and filling of the fluid into the systems during the commissioning and maintenance procedures.

They are directly fitted on the tank. The robust design allows the use of these filters in any heavy-duty application.

#### Available features:

- Male threaded connections up to 3/4" and flanged connection with bayonet, for a maximum flow rate of 550 l/min
- Fine cellulose filtration, to get a good cleanliness level into the reservoir
- Pressurization valve with different setting, to guarantee a positive pressure into the tank in any application with metal or plastic tanks
- Padlock tab, to secure the air breather to the tank
- Filling basket, to hold the coarse contamination contained into the fluid and to diffuse the fluid flow into the tank
- Anti-splash, to avoid fluid coming out through the air breather due to sloshing

#### Common applications:

- Hydraulic systems
- Mobile machines
- Industrial equipment

### Flow rate $\Delta p$ 0.02 bar

TA80	Flow rate [l/min]	
	Filtration rating 03	10
	450	550

### Materials

- Cover: Chrome Plated steel
- Filter element: Resin impregnated paper, Polyurethane
- Pressurization valve: Polyamide (bodies), Galvanized steel (end cap - disk), Steel (spring), NBR (seals)
- Flange and anti-splash feature: Galvanized steel
- Seals: NBR
- Screws, Flange: Galvanized steel
- Chain, Ring: Brass
- Basket (only TA80B): Galvanized steel

### Temperature

From -25 °C to +100 °C

### Weight

L 80 mm 0.33 kg  
L 100 mm 0.35 kg

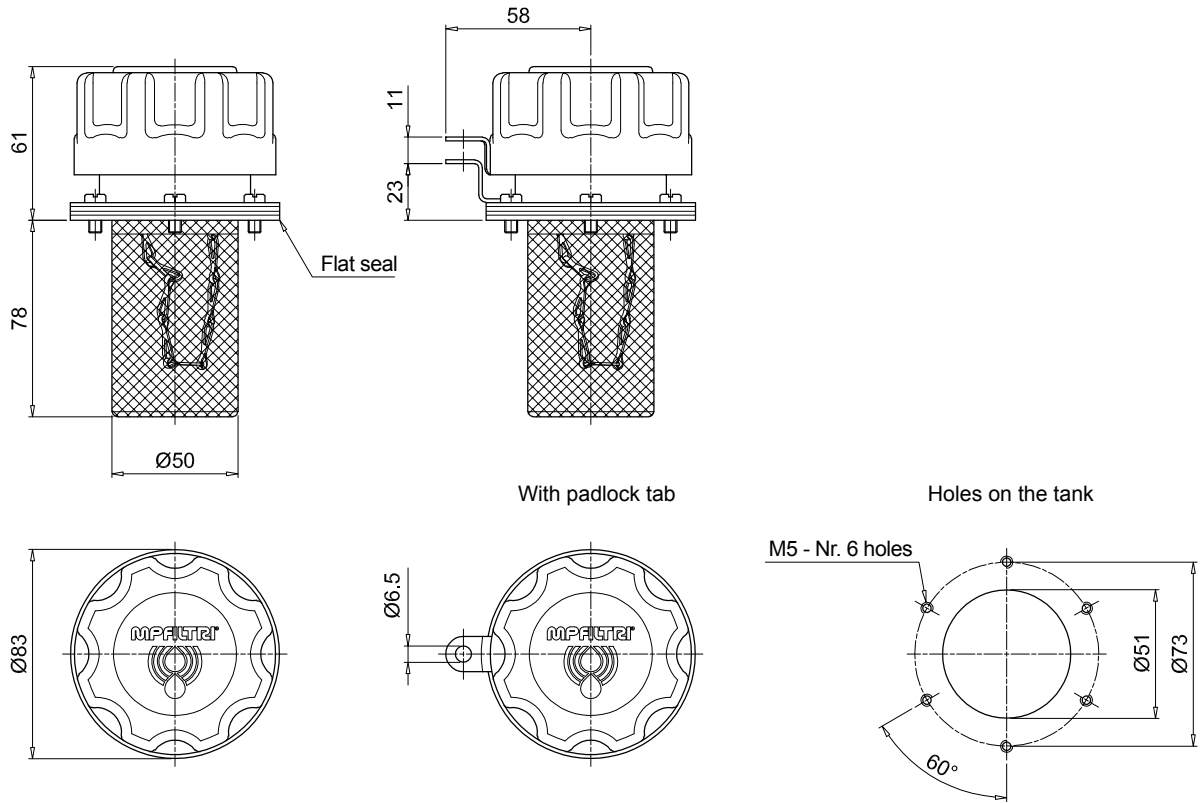


## Designation & Ordering code

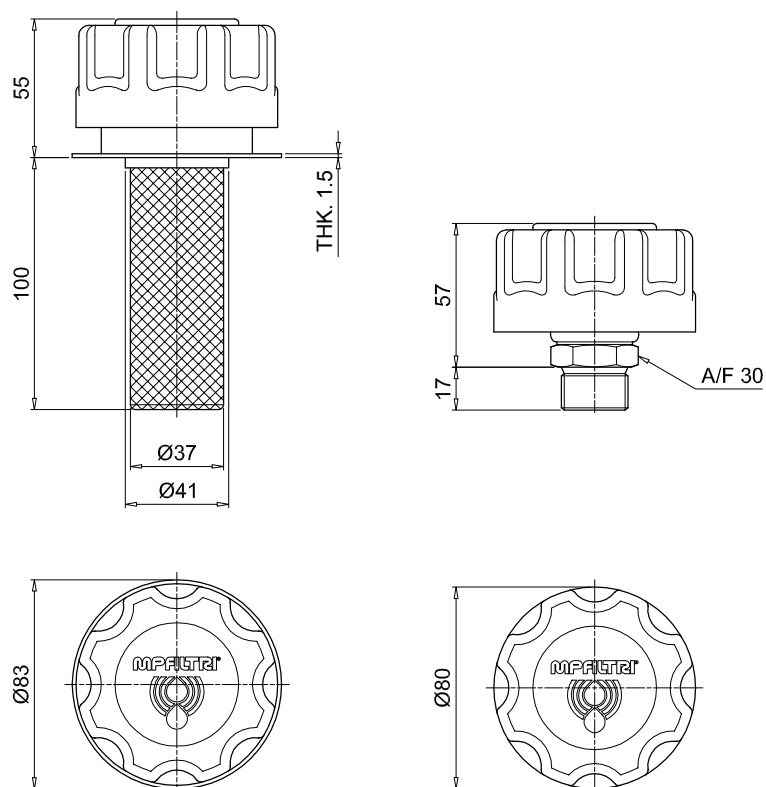
### COMPLETE FILLER PLUG / COMPLETE AIR FILTER

Serie	Configuration example 1:										
<b>TA80</b>	TA80	B	03	A	0	L	1	P01			
	Configuration example 2:										
	TA80	G	10	A	2					P01	
Connections											
<b>B</b>	Screwed flange with bayonet mount	<b>G</b>	G 3/4"								
<b>D</b>	Weld flange with bayonet mount	<b>N</b>	3/4" NPT								
Filtration rating	Connection:	<b>B</b>	<b>D</b>	<b>G</b>	<b>N</b>						
<b>00</b>	Without filter (blind filler plug)	•	•	-	-						
<b>03</b>	Resin impregnated paper 3 µm	•	•	•	•						
<b>10</b>	Polyurethane 10 µm	•	•	•	•						
Seals											
<b>A</b>	NBR										
Valve	Filtration rating:	<b>00</b>	<b>03</b>	<b>10</b>							
<b>0</b>	Without valve	•	•	•							
<b>1</b>	0.3 bar pressurization valve	-	•	•							
<b>2</b>	0.7 bar pressurization valve	-	•	•							
<b>9</b>	With anti-splash feature	-	•	•							
Version	Connection:	<b>B</b>	<b>D</b>	<b>G</b>	<b>N</b>						
<b>0</b>	Standard	•	•	-	-						
<b>L</b>	With padlock tab	•	-	-	-						
Basket	Connection:	<b>B</b>	<b>D</b>	<b>G</b>	<b>N</b>						
<b>0</b>	Without basket	•	•	-	-						
<b>1</b>	With basket 80 mm	•	-	-	-						
<b>3</b>	With basket 100 mm	-	•	-	-						
Execution											
<b>P01</b>	MP Filtri standard										
<b>Pxx</b>	Customized										

TA80  
Screwed flange



TA80  
Weld flange  
Threaded connection







# TAP 90 series

Filler plug and polyamide air filter up to 550 l/min



# TAP 90 GENERAL INFORMATION

## Technical data

### Air breathers & Filler plugs

#### Filler plug and polyamide air filters Flow rates up to 550 l/min

TAP90 is a range of plastic air breathers and filler caps for protection of the tank against the solid contamination contained into the air and filling of the fluid into the systems during the commissioning and maintenance procedures.

They are directly fitted on the tank.

#### Available features:

- Male threaded connections up to 1 1/2" and flanged connection with bayonet, for a maximum flow rate of 550 l/min
- Fine cellulose filtration, to get a good cleanliness level into the reservoir
- Pressurization valve with different setting, to guarantee a positive pressure into the tank in any application with metal or plastic tanks
- Padlock tab, to secure the air breather to the tank
- Filling basket, to hold the coarse contamination contained into the fluid and to diffuse the fluid flow into the tank
- Dipstick, to monitor the fluid level into the tank even in complicated positions

#### Common applications:

- Hydraulic systems
- Mobile machines
- Industrial equipment

#### Flow rate $\Delta p$ 0.02 bar

TAP90	Flow rate [l/min]	
	Filtration rating 03	10
	450	550

#### Materials

- Cover/Ringnut: Polyamide
- Filter element: Resin impregnated paper, Polyurethane
- Pressurization valve: Polyamide (bodies), Galvanized steel (end cap - disk), NBR (seals)
- Flange B: Polyamide
- Seals: NBR
- Screws: Galvanized steel
- Padlock tab: Galvanized steel
- Chain, Ring: Brass
- Dipstick: Phosphatized steel
- Basket: Galvanized steel, Polyamide

#### Temperature

From -25 °C to +100 °C

#### Weight

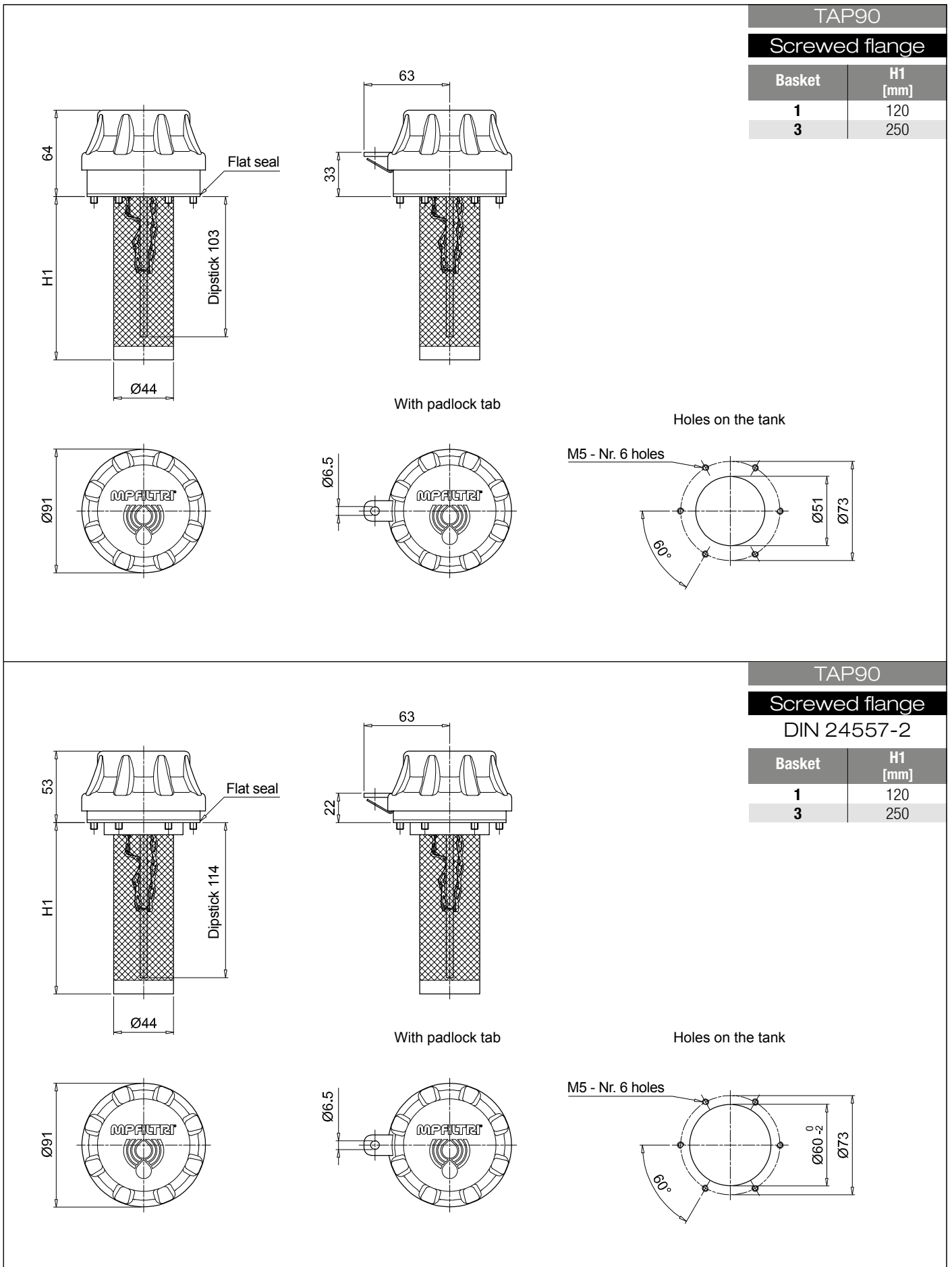
L 120 mm 0.25 kg  
L 250 mm 0.31 kg



## Designation & Ordering code

### COMPLETE BREATHER PLUG

Serie	Configuration example 1: TAP90										
<b>TAP90</b>	R	03	A	1	A	1	P01				
	Configuration example 2: TAP90										
	G	10	A	2	L		P01				
Connections											
<b>R</b> Screwed flange with M52x2 mount	<b>H</b> G 1 1/2"										
<b>F</b> Screwed flange DIN 24557-2	<b>M</b> 3/4" NPT										
<b>C</b> Weld riser	<b>G</b> M52x2										
	<b>Q</b> G 3/4"										
	Connection										
Filtration rating	R	F	C	Q	H	M	G				
<b>00</b> Without filter (blind filler plug)	•	•	•	-	-	-	-				
<b>03</b> Resin impregnated paper 3 µm	•	•	•	•	•	•	•				
<b>10</b> Polyurethane 10 µm	•	•	•	•	•	•	•				
Valve	Filtration rating:		00	03	10						
<b>0</b> Without valve			•	•	•						
<b>1</b> 0.3 bar pressurization valve			-	•	•						
<b>2</b> 0.7 bar pressurization valve			-	•	•						
Version											
<b>0</b> Standard	<b>A</b> With dipstick										
<b>L</b> With padlock tab	<b>F</b> With padlock tab and dipstick										
	Connection										
Basket	R	F	C	Q	H	M	G				
<b>0</b> Without basket	•	•	•	-	-	-	-				
<b>1</b> With basket 120 mm	•	•	•	-	-	-	-				
<b>3</b> With basket 250 mm	•	•	•	-	-	-	-				
Seals											
<b>A</b>	NBR										
Execution											
<b>P01</b>	MP Filtri standard										
<b>Pxx</b>	Customized										

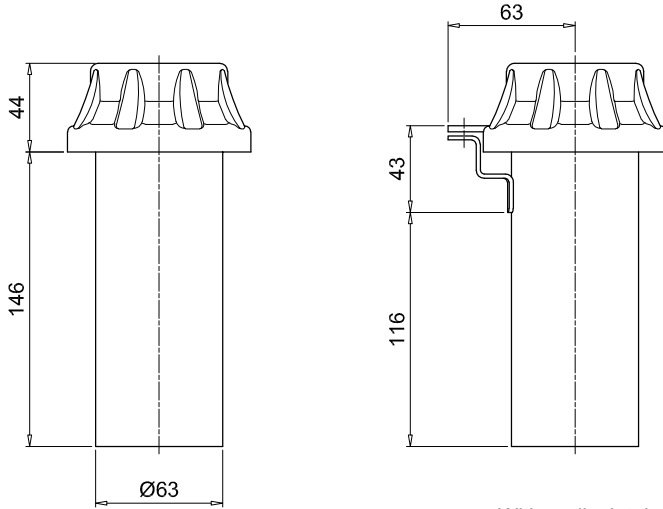


# TAP 90

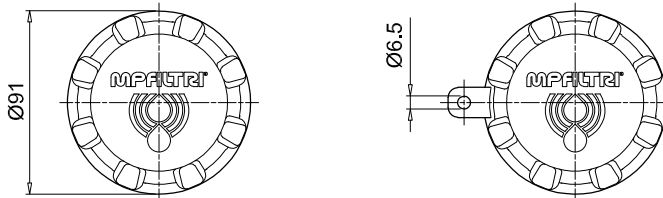
## Dimensions

TAP90

Weld riser



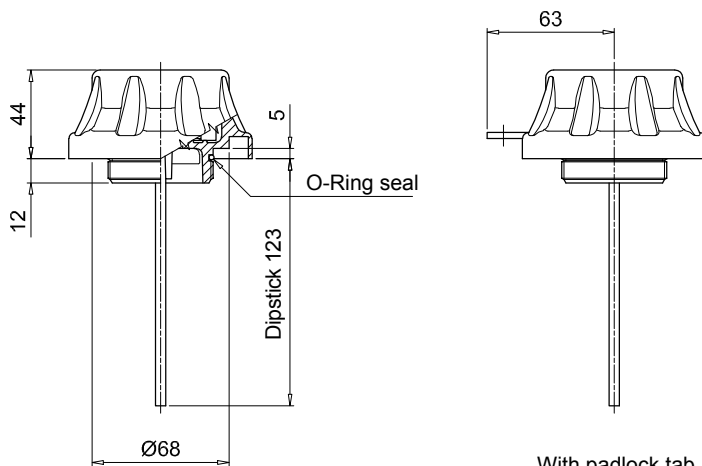
With padlock tab



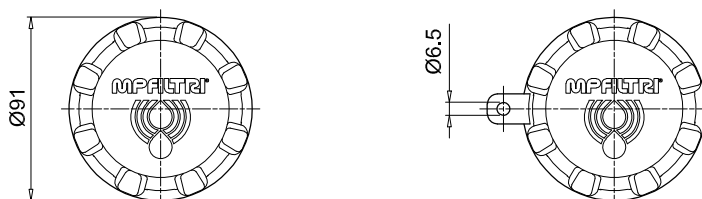
TAP90

Threaded connection

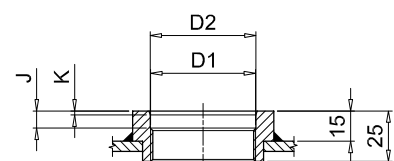
Connections	D1 [mm]	D2 [mm]	J [mm]	K [mm]
Q	G 3/4"	-	-	-
H	G 1 1/2"	48.5	8.5	2x15°
M	3/4" NPT	-	-	-
G	M 52x2	52.5	8.5	2x15°



With padlock tab



Housing on the tank  
for connections G - H - M - Q







# TAP 114 series

Filler plug and polyamide air filter up to 1600 l/min



# TAP 114 GENERAL INFORMATION

## Technical data

### Air breathers & Filler plugs

#### Filler plug and polyamide air filters Flow rates up to 1600 l/min

TAP114 is a range of plastic large air breathers and filler caps for protection of the tank against the solid contamination contained into the air and filling of the fluid into the systems during the commissioning and maintenance procedures.  
They are directly fitted on the tank.

#### Available features:

- Flanged connection, for a maximum flow rate of 1600 l/min
- Replaceable filter element
- Fine cellulose filtration, to get a good cleanliness level into the reservoir
- Polyester media is an option for heavy environmental conditions (high humidity, sand ...)
- Filling basket, to hold the coarse contamination contained into the fluid and to diffuse the fluid flow into the tank
- Anti-splash, to avoid fluid coming out through the air breather due to sloshing

#### Common applications:

- Hydraulic systems
- Mobile machines
- Industrial equipment

### Flow rate $\Delta p$ 0.02 bar

	Length	Flow rate [l/min]	
		standard	with anti-splash
<b>TAP114</b>	<b>1</b>	1450	480
<b>TAP114</b>	<b>3</b>	1600	530

### Materials

- Cover: Polyamide
- Filter element: Resin impregnated paper
- Flange: Polyamide
- Seals: NBR
- Screws: Galvanized steel
- Basket: Polyamide

### Temperature

From -25 °C to +100 °C

### Weight

TAP 114 length 1 0.185 kg  
TAP 114 length 3 0.200 kg



## Designation & Ordering code

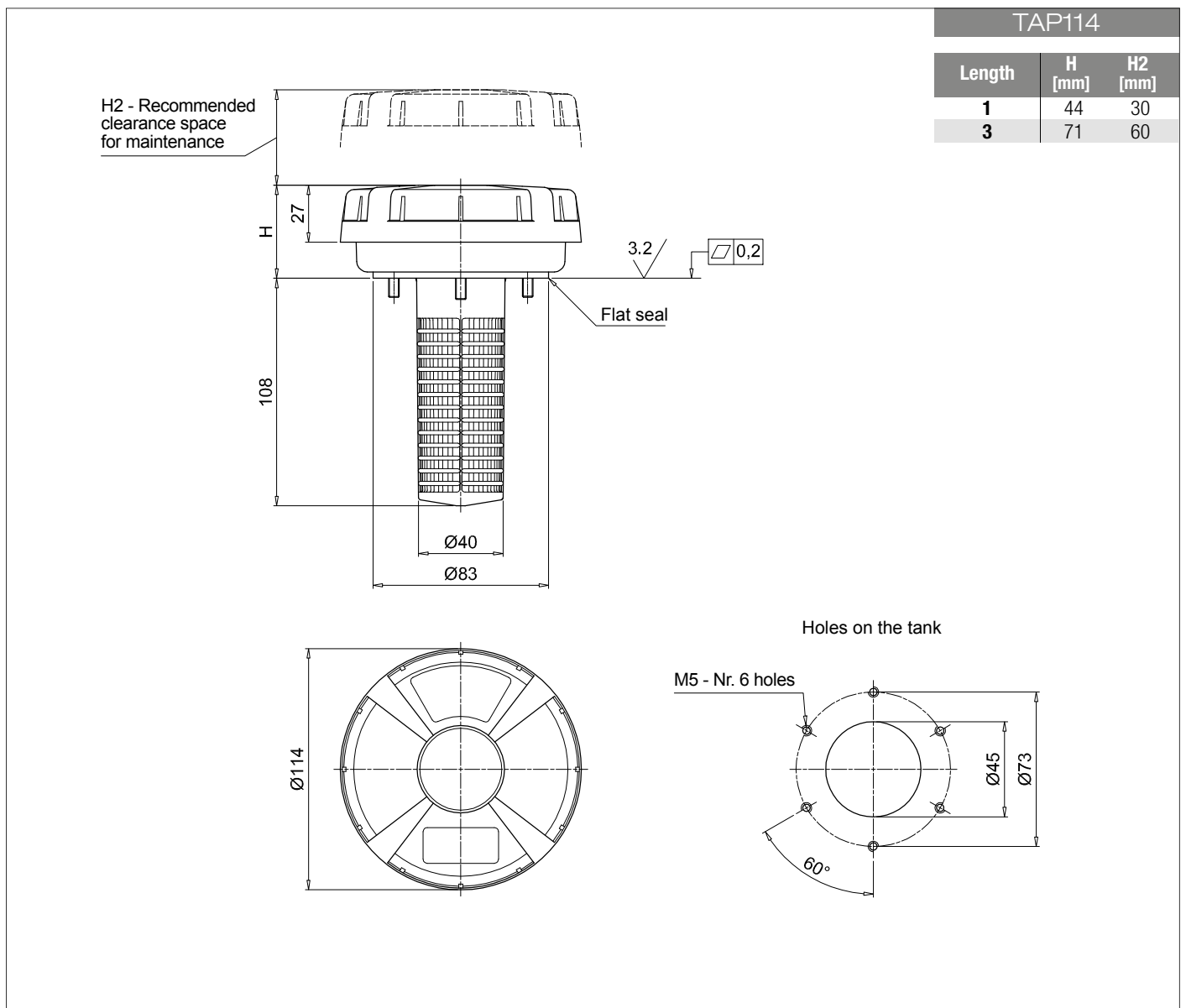
### COMPLETE FILLER PLUG / COMPLETE AIR FILTER

<b>Series</b> <b>TAP114</b>	Configuration example: TAP114					
<b>Length</b> 1   3	1	L10	A	3	P01	
<b>Filtration rating</b> L10 Resin impregnated paper 10 µm						
<b>Seals</b> A NBR						
<b>Version</b> 1 With basket 3 With basket + anti-splash feature						
						<b>Execution</b> P01 MP Filtri standard Pxx Customized

### FILTER ELEMENT

<b>Filter element series</b> A114	Configuration example: A114			
<b>Length</b> 1   3	1	L10	P01	
<b>Filtration rating</b> L10 Resin impregnated paper 10 µm				
				<b>Execution</b> P01 MP Filtri standard Pxx Customized





### Version with anti-splash feature





# TAP 115 - SAP 115

Filler plug and polyamide air filter up to 3000 l/min



# TAP 115 GENERAL INFORMATION

## Technical data

### Air breathers & Filler plugs

#### Filler plug and polyamide air filters Flow rates up to 2150 l/min

TAP115 is a range of plastic large air breathers and filler caps for protection of the tank against the solid contamination contained into the air and filling of the fluid into the systems during the commissioning and maintenance procedures.  
They are directly fitted on the tank.

#### Available features:

- Flanged connection, for a maximum flow rate of 2150 l/min
- Replaceable filter element.
- Fine cellulose and microfibre filtration, to get a good cleanliness level into the reservoir. Polyester media is an option for heavy environmental conditions (High humidity, sand ...)
- Visual clogging indicator
- Filling basket, to hold the coarse contamination contained into the fluid and to diffuse the fluid flow into the tank

#### Common applications:

- Hydraulic systems
- Mobile machines
- Industrial equipment

#### Flow rate $\Delta p$ 0.02 bar

	Flow rate [l/min]	
	Filtration rating	A03
<b>TAP115 length 1</b>	1600	2000
<b>TAP115 length 2</b>	2150	2150

#### Materials

- Cover/flange: Polyamide
- Filter element: Microfibre, Resin impregnated paper
- Seals: NBR, FPM
- Basket/screws: Galvanized steel

#### Clogging indicators

- Manual reset
- Set pressure 0.062 bar  $\pm$ 10%

#### Temperature

From -25 °C to +100 °C

#### Weight

TAP 115 length 1	0.460 kg
TAP 115 length 2	0.585 kg



## Designation & Ordering code

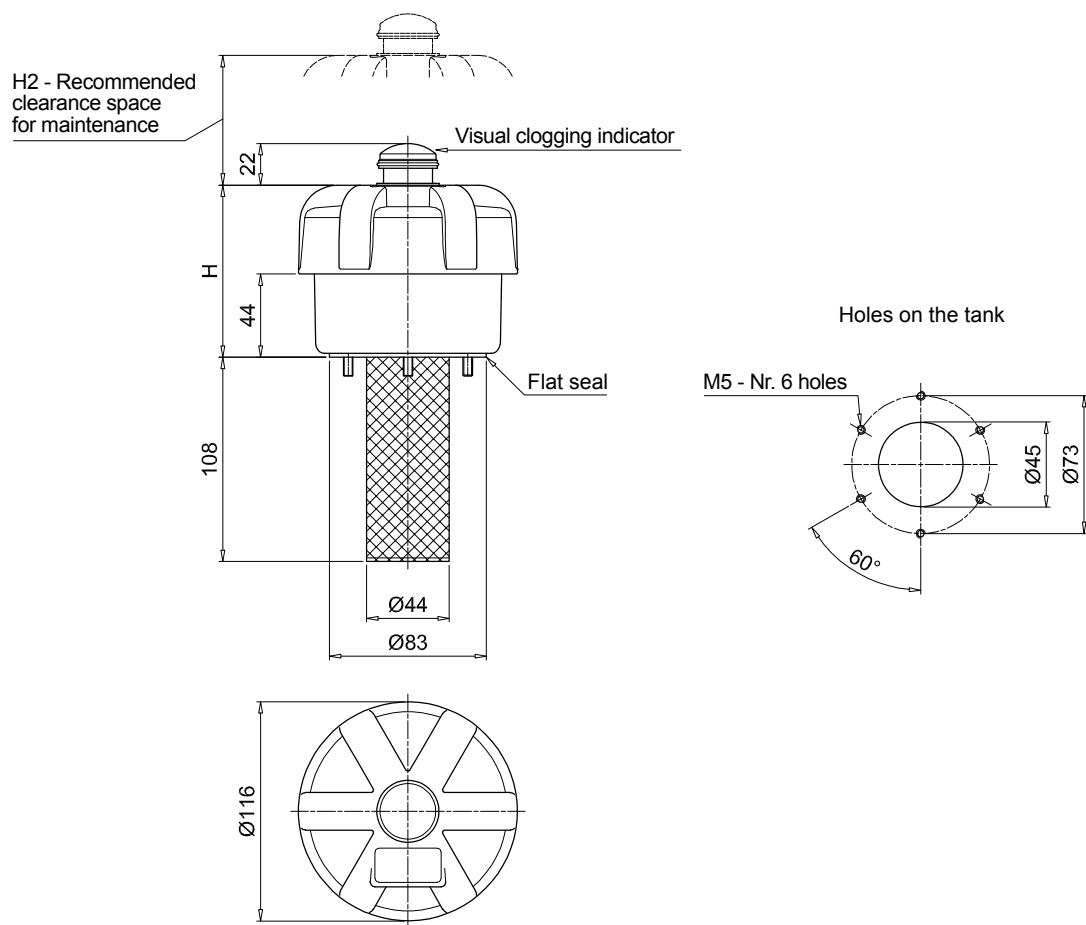
### COMPLETE FILLER PLUG / COMPLETE AIR FILTER

Series	Configuration example:	TAP115	2	F	A03	A	1	A	P01
<b>TAP115</b>									
<b>Length</b>									
1   2									
<b>Connections</b>									
F Flange									
<b>Filtration rating</b>									
A03 Inorganic microfiber 3 $\mu$ m									
L10 Resin impregnated paper 10 $\mu$ m									
<b>Seals</b>									
A NBR   V FPM									
<b>Version</b>									
1 With basket									
<b>Clogging indicator</b>									
A Without indicator									
B With visual clogging indicator									
<b>Execution</b>									
P01 MP Filtri standard									
Pxx Customized									

### FILTER ELEMENT

Filter element series	Configuration example:	A115	2	A03	P01
<b>A115</b>					
<b>Length</b>					
1   2					
<b>Filtration rating</b>					
A03 Inorganic microfiber 3 $\mu$ m					
L10 Resin impregnated paper 10 $\mu$ m					
<b>Execution</b>					
P01 MP Filtri standard					
Pxx Customized					

TAP115		
Length	H [mm]	H2 [mm]
<b>1</b>	91	55
<b>2</b>	155	80



## Technical data

### Air breathers & Filler plugs

#### Filler plug and polyamide air filters Flow rates up to 3000 l/min

SAP115 is a range of plastic large air breathers for protection of the tank against the solid contamination contained into the air. They are directly fitted on the tank.

#### Available features:

- Male threaded connections up to 1 1/2", for a maximum flow rate of 3000 l/min.
- Replaceable filter element.
- Fine cellulose and microfibre filtration, to get a good cleanliness level into the reservoir. Polyester media is an option for heavy environmental conditions (High humidity, sand ...)
- Visual clogging indicator
- Antisplash, to avoid fluid coming out through the air breather due to sloshing
- Filling basket, to hold the coarse contamination contained into the fluid and to diffuse the fluid flow into the tank

#### Common applications:

- Hydraulic systems
- Mobile machines
- Industrial equipment

#### Flow rate $\Delta p$ 0.02 bar

	Flow rate [l/min]	
	Filtration rating A03	L10
<b>SAP115 length 1 - G1"</b>	1830	2170
<b>SAP115 length 2 - G1"</b>	2800	2800
<b>SAP115 length 1 - G1 1/2"</b>	1995	2330
<b>SAP115 length 2 - G1 1/2"</b>	3000	3000

#### Materials

- Cover/flange: Polyamide
- Filter element: Microfibre, Resin impregnated paper
- Connection: Polyamide
- Seals: NBR, FPM

#### Clogging indicators

- Manual reset
- Set pressure 0.062 bar  $\pm$ 10%

#### Temperature

From -25 °C to +100 °C

#### Weight

SAP 115 length 1	0.410 kg
SAP 115 length 2	0.525 kg



## Designation & Ordering code

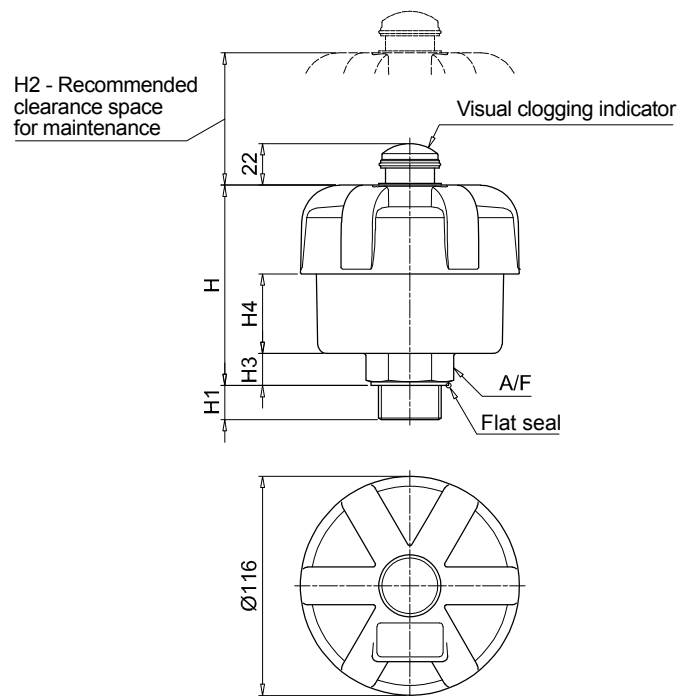
### COMPLETE FILLER PLUG / COMPLETE AIR FILTER

<b>Series</b> SAP115	Configuration example: SAP115	2	A	A03	A	1	A	P01
<b>Length</b> 1   2								
<b>Connections</b> A G 1"   C G 1 1/2"								
<b>Filtration rating</b> A03 Inorganic microfiber 3 $\mu$ m L10 Resin impregnated paper 10 $\mu$ m								
<b>Seals</b> A NBR								
<b>Version</b> 0 Standard   1 With anti-splash feature								
<b>Clogging indicator</b> A Without indicator B With visual clogging indicator								
							<b>Execution</b> P01 MP Filtri standard Pxx Customized	

### FILTER ELEMENT

<b>Filter element series</b> A115	Configuration example: A115	2	A03	P01
<b>Length</b> 1   2				
<b>Filtration rating</b> A03 Inorganic microfiber 3 $\mu$ m L10 Resin impregnated paper 10 $\mu$ m				
				<b>Execution</b> P01 MP Filtri standard Pxx Customized

SAP115							
Length	Connections	H [mm]	H1 [mm]	H2 [mm]	H3 [mm]	H4 [mm]	A/F [mm]
<b>1</b>	A	106	18	55	17	42	41
	C	111	23	55	22	42	55
<b>2</b>	A	170	18	80	17	106	41
	C	175	23	80	22	106	55



**The filler plugs series is composed by different versions: with breather filter, with dipstick for measuring the reservoir fluid level or with anti-splash fins to prevent spillage of oil from the reservoir to be specifically used on mobile equipments.**



# Filler and Drain Plugs



TC 50 page 65  
TKT - TSD - TKM 69



# TC 50 series

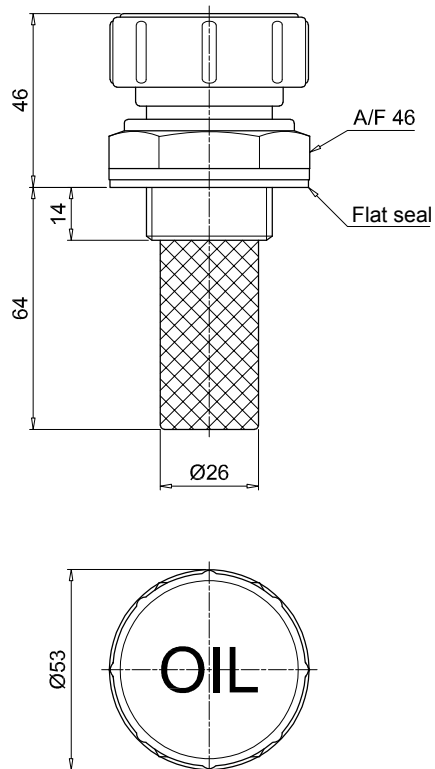
Polyamide filler plug





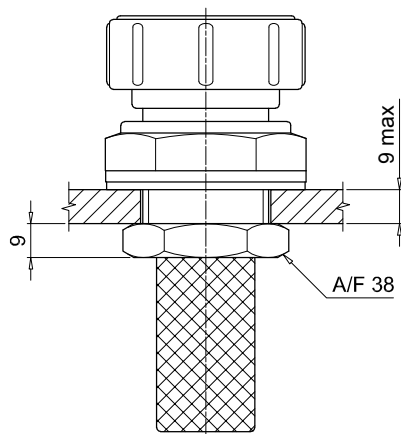
TC50

Threaded connection

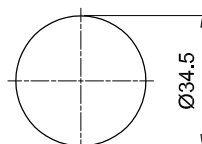


TC50

With ringnut



Through hole on the tank





# TKT - TSD - TKM series

Filler and draining plugs



## Technical data

### Filler and draining plugs

#### Polyamide filler plug

TKT is a range of polyamide compact filler plugs for filling of the fluid into the systems during the commissioning and maintenance procedures. They are directly fitted on the tank.

#### Available features:

- Male threaded connections up to G 2"
- Breathing hole, to reduce the pressure inside the filter during the maintenance operations
- Caps with different graphics and colours, for the use in several applications
- Dipstick, to monitor the fluid level into the tank even in complicated positions
- Antisplash, to avoid fluid coming out through the air breather due to sloshing
- Labyrinth filter, to avoid fluid coming out through the air breather due to sloshing

#### Common applications:

- Hydraulic systems
- Mobile machines
- Industrial equipment

#### Materials

- Body: Polyamide
- Seals: NBR, Inorganic fibre
- Labyrinth: Polyamide
- Anti-splash feature: Resin impregnated paper
- Dipstick: Phosphatized steel

#### Temperature

From -25 °C to +100 °C

#### Weight

TKTG 13	5 g
TKTG 16	8 g
TKTG 20	10 g
TKTG 26	15 g
TKTG 33	30 g
TKTG 42	32 g
TKTG 60	35 g

#### Quantity

25 pcs/pack

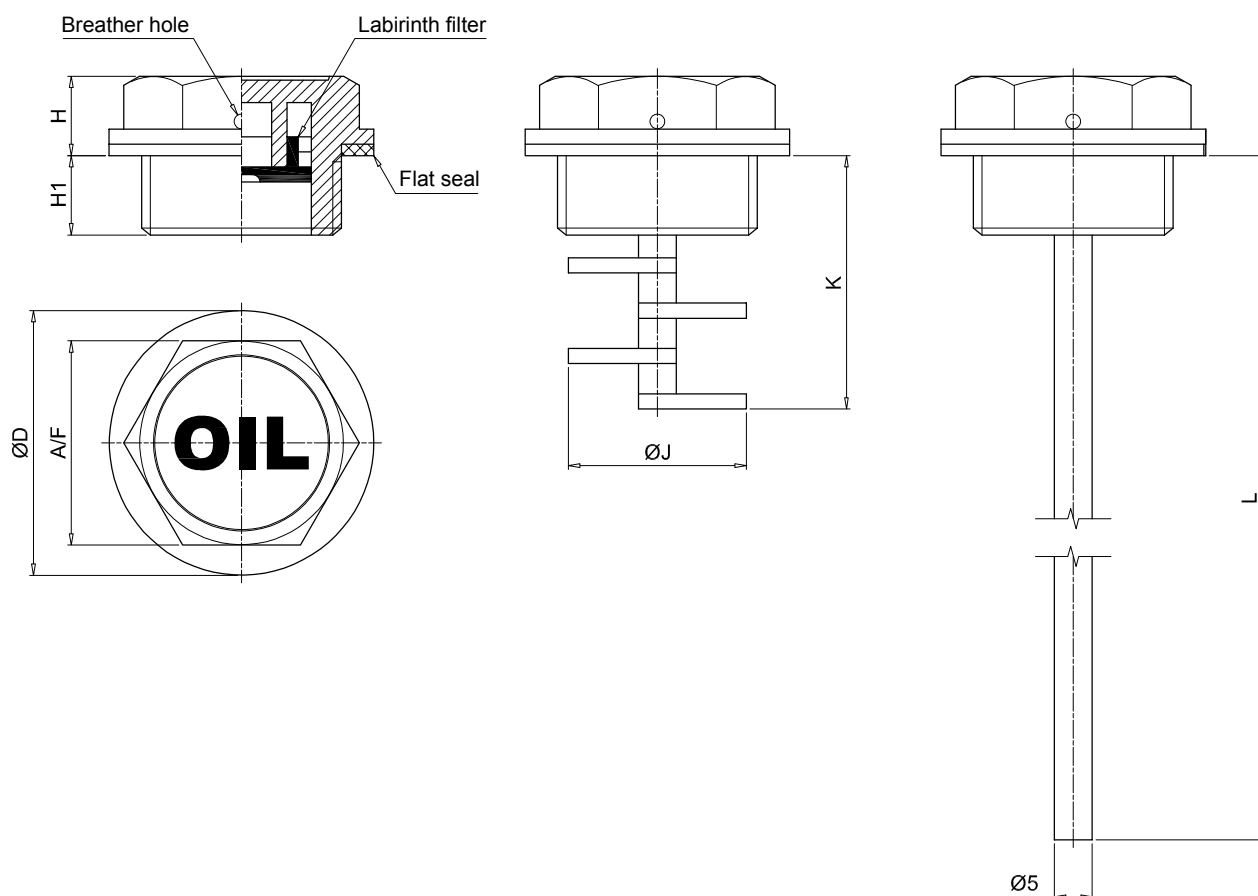


## Designation & Ordering code

### COMPLETE FILLER PLUG

<b>Series</b> TKT	Configuration example : TKT G26 N N A F S P01									
<b>Connections</b>	Version									
	S	A	F	L						
G13 G 1/4"	•	•	-	•						
G16 G 3/8"	•	•	•	•						
G20 G 1/2"	•	•	•	•						
G26 G 3/4"	•	•	•	•						
G33 G 1"	•	•	•	-						
G42 G 1 1/4"	•	•	•	-						
G48 G 1 1/2"	•	•	•	-						
G60 G 2"	•	•	-	-						
<b>Colour</b> N	Black polyamide									
<b>Cover wording</b> O	Oil									
	N Neutral									
<b>Seals</b>	Version									
	S	A	F	L						
A NBR	-	•	•	-						
B Inorganic fiber	•	-	-	•						
<b>Breather hole</b> S	Without breather hole									
	F With breather hole									
<b>Version</b> S	Standard									
	F With anti-splash feature									
A	With dipstick									
	L With labyrinth filter									
<b>Execution</b> P01	MP Filtri standard									
Pxx	Customized									





Connections	$\varnothing D$ [mm]	A/F [mm]	H [mm]	H1 [mm]	$\varnothing J$ [mm]	K [mm]	L [mm]
<b>G13</b>	20	17	8.5	7.5	-	-	205
<b>G16</b>	22	18	9.5	8.5	13.5	32	206
<b>G20</b>	28	22	9.5	9.5	17.5	33	207
<b>G26</b>	35	27	10.5	10.5	23.5	34	208
<b>G33</b>	42	34	10.5	10.5	29.5	36	201
<b>G42</b>	52	42	11	11	38	38	201
<b>G48</b>	58	47	11	11	38	36	201
<b>G60</b>	74	64	18	18	-	-	198

# TSD GENERAL INFORMATION

## Technical data

### Filler / draining plugs

#### Polyamide filler plug

TSD is a range of polyamide compact air breathers and filler plugs for protection of the tank against the solid contamination contained into the air and filling of the fluid into the systems during the commissioning and maintenance procedures.

They are directly fitted on the tank.

#### Available features:

- Male threaded connections up to G 1 1/2"
- Metal filtration, to hold the coarse contamination contained into the air
- Caps with different graphics and colours, for the use in several applications
- Dipstick, to monitor the fluid level into the tank even in complicated positions
- Antisplash, to avoid fluid coming out through the air breather due to sloshing

#### Common applications:

- Hydraulic systems
- Mobile machines
- Industrial equipment

#### Materials

- Body: Polyamide
- Cover: Polyamide
- Seal: NBR
- Filter: Galvanized steel
- Anti-splash feature: Polyamide
- Dipstick: Phosphatized steel

#### Temperature

From -25 °C to +100 °C

#### Weight

TSDG16	15 g
TSDG20	25 g
TSDG26	28 g
TSDG33	60 g
TSDG42	69 g
TSDG48	74 g

#### Quantity

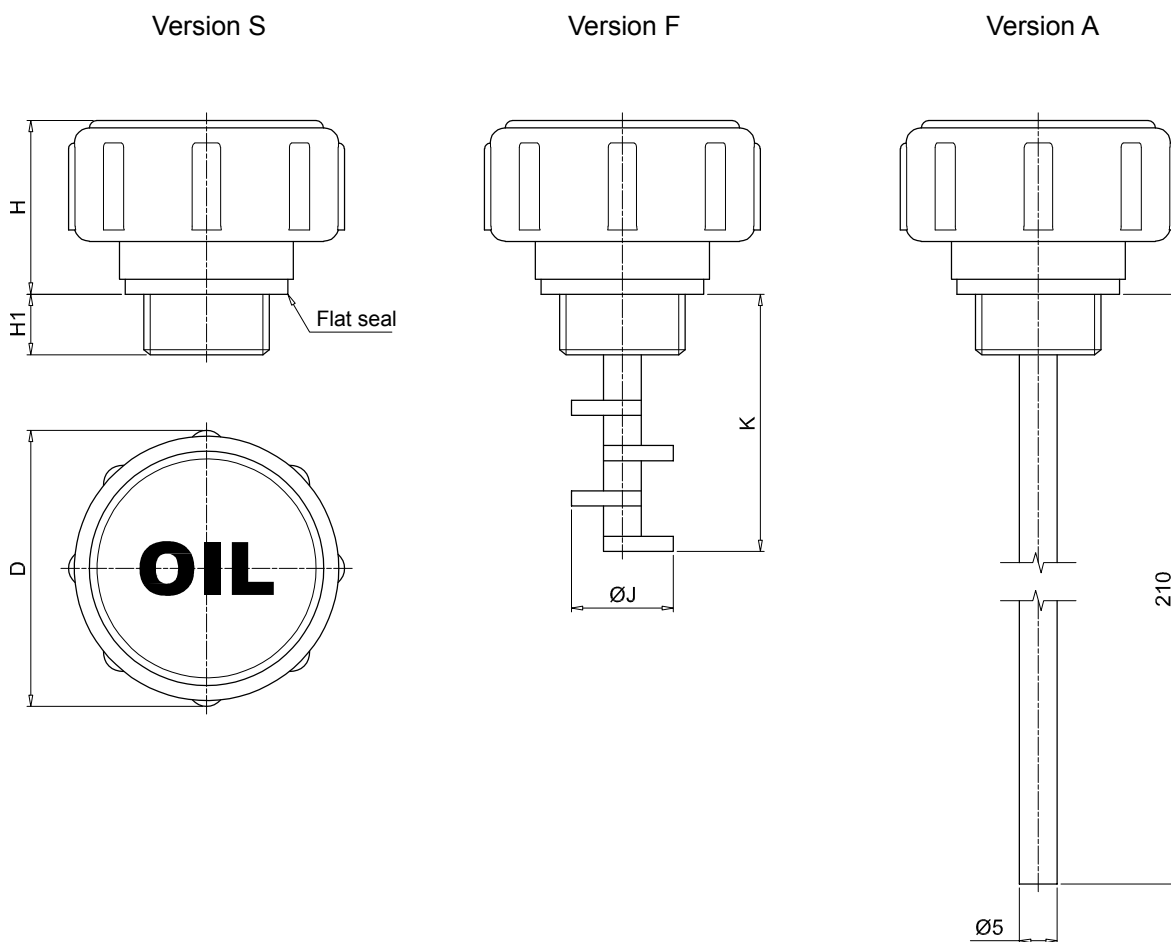
25 pcs/pack



## Designation & Ordering code

### COMPLETE FILLER PLUG

Series	Configuration example :							
<b>TSD</b>	TSD	G26	R	G	A	F	S	PO1
<b>Connections</b>								
<b>G16</b>	G 3/8"	<b>G33</b>	G 1"					
<b>G20</b>	G 1/2"	<b>G42</b>	G 1 1/4"					
<b>G26</b>	G 3/4"	<b>G48</b>	G 1 1/2"					
<b>Cover colour</b>								
<b>R</b>	Red	<b>Y</b>	Yellow					
<b>Cover wording</b>								
<b>O</b>	Oil							
<b>N</b>	Neutral							
<b>G</b>	Gasoil							
<b>Seals</b>								
<b>A</b>	NBR							
<b>Filter element</b>			Cover wording					
<b>O</b>	Without filter element		N	O	G			
<b>A</b>	Steel filter element		•	•	-			
<b>Version</b>								
<b>S</b>	Standard							
<b>A</b>	With dipstick							
<b>F</b>	With anti-splash feature							
<b>Execution</b>								
<b>P01</b>	MP Filtri standard							
<b>Pxx</b>	Customized							



Connections	ØD [mm]	H [mm]	H1 [mm]	ØJ [mm]	K [mm]
<b>G16</b>	36.5	23	8	13.5	34
<b>G20</b>	40.5	23	9	17.5	34
<b>G26</b>	46.5	23	10	23.5	35
<b>G33</b>	52.5	24	11	29.5	42
<b>G42</b>	67.5	31.5	12	38	45
<b>G48</b>	67.5	31.5	11	38	45

## Technical data

### Filler / draining plugs

#### Aluminium drain plug

TKM is a range of aluminium compact plugs for draining of the fluid from the systems during the commissioning and maintenance procedures. They are directly fitted on the bottom of the tank. The integrated magnet holds the ferrous contamination.

#### Available features:

- Male threaded connections up to G 1"

#### Common applications:

- Hydraulic systems
- Mobile machines
- Industrial equipment

#### Materials

- Body: Aluminium avec insert magnétique
- Seal: Inorganic fibre

#### Temperature

From -25 °C to +100 °C

#### Weight

TKMG13	14 g
TKMG16	23 g
TKMG20	42 g
TKMG26	95 g
TKMG33	98 g

#### Quantity

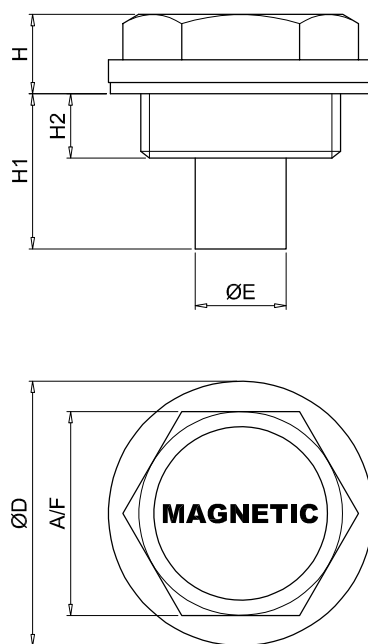
25 pcs/pack



## Designation & Ordering code

### COMPLETE DRAIN PLUG

<b>Series</b>		TKM	G20	B	P01
<b>TKM</b>					
<b>Connections</b>					
<b>G13</b>	G 1/4"				
<b>G16</b>	G 3/8"				
<b>G20</b>	G 1/2"				
<b>G26</b>	G 3/4"				
<b>G33</b>	G 1"				
<b>Seals</b>					
<b>B</b>	Inorganic fiber				
<b>Execution</b>					
<b>P01</b>	MP Filtri standard				
<b>Pxx</b>	Customized				



Connections	ØD [mm]	A/F [mm]	ØE [mm]	H [mm]	H1 [mm]	H2 [mm]
<b>G13</b>	19	15	9.5	6	11.5	5.5
<b>G16</b>	22	18	8	9.5	13.5	7.5
<b>G20</b>	28	22	10	9.5	15.5	7.5
<b>G26</b>	35	27	12	10.5	20.5	8.5
<b>G33</b>	42	34	25	13	30.5	10.5

## **LC**

The sight plugs series allow visibility of the fluid contained in the reservoirs, showing the level and also any changes in transparency and emulsion.

## **LV**

The oil level indicators series is available for both static and mobile applications; the construction materials used make it possible to guarantee service with wide temperature variations and compatibility with all hydraulic fluids.

LVA / LVU level indicators are available with fixing centre distance from 76 to 1000 mm.

These indicators are available in three configurations, with transparent plastic body, with black plastic body and with aluminium body.

Fixing to reservoirs with unthreaded holes or with reduced thickness can be achieved using series LCC equipped with expansion kit.

# Visual Oil Level Indicators



LCP - LCC  
LVA - LVU

page 79  
85





# LCP - LCC series

Visual oil level indicator - round shape



# LCP GENERAL INFORMATION

## Technical data

### Visual Oil Level Indicators

#### Visual oil level indicator - round shape

LCP is a range of plastic compact fluid level indicators, usually called spy eyes, for monitoring of the fluid level into the tank. They are directly fitted on the tank side.

Housings made of polyamide or steel can be selected, to meet every condition.

#### Available features:

- Male threaded connections up to G 2"
- Contrast baffle, to allow an easy monitoring of the level
- Special fixing kit, for reliable sealing even in tanks with thin walls

#### Common applications:

- Hydraulic systems
- Mobile machines
- Industrial equipment

### T Series

#### Weight

LCPG13	1 g
LCPG16	2 g
LCPG20	4 g
LCPG26	8 g
LCPG33	10 g
LCPG42	12 g

#### Materials

- Body: Polyamide
- Contrast baffle : Polyamide
- Seals: NBR

### M Series

#### Weight

LCPG20	6 g
LCPG26	9 g
LCPG33	13 g

#### Materials

- Body: Aluminium
- Lens: Thermoplastic
- Contrast baffle : Polyamide
- Seals: Inorganic fibre

### N Series

#### Weight

LCPG13	2 g
LCPG16	4 g
LCPG20	7 g
LCPG26	9 g
LCPG30	12 g
LCPG33	18 g
LCPG42	25 g
LCPG48	48 g
LCPG60	59 g

#### Materials

- Body: Polyamide
- Lens: Thermoplastic
- Contrast baffle : Polyamide
- Seals: Inorganic fibre, NBR
- Special fixing kit: Brass, NBR

#### Temperature

From -20 °C to + 80 °C

#### Quantity

25 pcs/pack

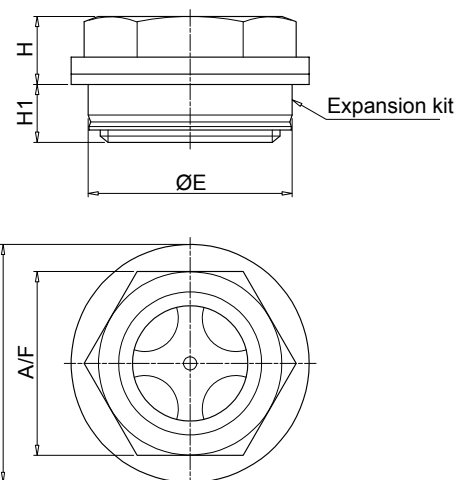
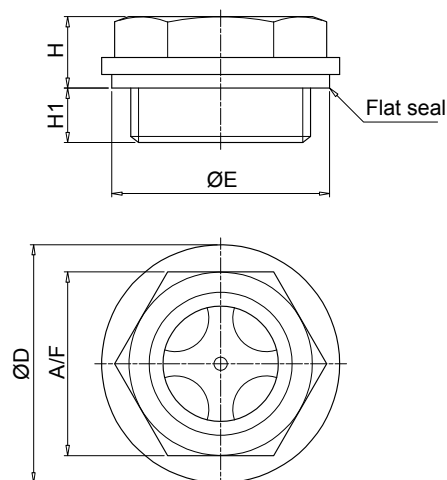


## Designation & Ordering code

### COMPLETE VISUAL OIL LEVEL INDICATOR

Series	Configuration example 1 :															Configuration example 2 :			Configuration example 3 :					
<b>LCP</b>	LCP	G26	N	S	B	S	P01	LCP	G42	T	S	A				P01	LCP	G20	M	C	A			P01
Connections	Material:	N	T	M																				
<b>G13</b> G 1/4"		•	•	-																				
<b>G16</b> G 3/8"		•	•	-																				
<b>G20</b> G 1/2"		•	•	•																				
<b>G26</b> G 3/4"		•	•	•																				
<b>G33</b> G 1"		•	•	•																				
<b>G42</b> G 1 1/4"		•	•	-																				
<b>G48</b> G 1 1/2"		•	-	-																				
<b>G60</b> G 2"		•	-	-																				
Material	<b>N</b> Black Polyamide	<b>T</b> Transparent polyamide	<b>M</b> Aluminium																					
Contrast baffle	Material:	N								T				M										
<b>S</b> Without contrast baffle	Connection:	G13	G16	G20	G26	G33	G42	G48	G60	G13	G16	G20	G26	G33	G42									
<b>C</b> With contrast baffle		-	•	•	•	•	•	•	•	-	-	-	-	•	•	•								
Seals	Material:	N				T				M														
<b>A</b> NBR	Expansion kit:		S	K						•														
<b>B</b> Inorganic fiber		•	-							-	-	-	-	-	-									
Special fixing kit	Material:	N								T				M										
<b>S</b> Without special fixing kit	Connection:	G13	G16	G20	G26	G33	G42	G48	G60															
<b>K</b> With special fixing kit		-	-	•	•	•	•	•	-	-	-	-	-	-	-									
Execution																								
<b>P01</b>	MP Filtri standard																							
<b>Pxx</b>	Customized																							

### LCP - N



#### without expansion kit

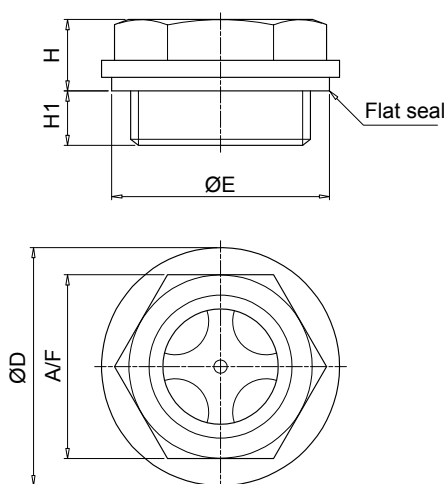
Connections	ØD [mm]	ØE [mm]	A/F [mm]	H [mm]	H1 [mm]
<b>G13</b>	20	18.5	17	9	7
<b>G16</b>	22	21.5	18	10	7
<b>G20</b>	28	26	22	10	7
<b>G26</b>	35	32	27	10.5	8
<b>G33</b>	42	41	34	13.5	10.5
<b>G42</b>	52	51	42	14	11
<b>G48</b>	58	53.5	47	16	11
<b>G60</b>	74	72	64	16	18

#### with expansion kit

Connections	ØD [mm]	ØE [mm]	A/F [mm]	H [mm]	H1 [mm]
<b>G20</b>	28	26	22	9	8
<b>G26</b>	35	30	27	10	8.5
<b>G33</b>	42	40	34	13	11
<b>G42</b>	52	50	42	13.5	11.5
<b>G48</b>	58	55	47	15.5	11.5

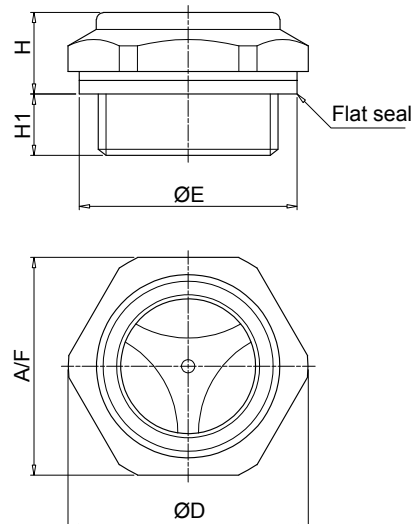
**Note:** for installation onto OB Cleaning covers see page 147

### LCP - T



Connections	ØD [mm]	ØE [mm]	A/F [mm]	H [mm]	H1 [mm]
<b>G13</b>	20	18.5	15	6.5	5
<b>G16</b>	22	21.5	17	7	5.5
<b>G20</b>	28	26	21	8	6
<b>G26</b>	33	32	26	8.5	7
<b>G33</b>	41	41	32	9	8
<b>G42</b>	52	51	42	14	11

### LCP - M



Connections	ØD [mm]	ØE [mm]	A/F [mm]	H [mm]	H1 [mm]
<b>G20</b>	29.5	26	27	11	7
<b>G26</b>	35.5	32	32	12	9
<b>G33</b>	44.5	41	40	13	8

**Note:** for installation onto OB Cleaning covers see page 147

## Technical data

### Visual Oil Level Indicators

#### Visual oil level indicator - round shape

LCC is a range of plastic compact fluid level indicators, usually called spy eyes, for monitoring of the fluid level into the tank. They are directly fitted on the tank side.

The special shape of the screen allows the monitoring of the fluid level from every position.

#### Available features:

- Male threaded connections up to G 2"
- Expansion kit, for reliable sealing even in tanks with thin walls

#### Common applications:

- Hydraulic systems
- Mobile machines
- Industrial equipment

### N Series

#### Weight

LCCG26	7 g
LCCG42	20 g
LCCG60	40 g

#### Materials

- Body: Polyamide
- Lens: Polyamide
- Contrast screen: Polyamide
- Seals: Inorganic fibre, NBR
- Expansion kit: Brass / NBR

### T Series

#### Weight

LCCG16	2 g
LCCG20	4 g
LCCG33	9 g

#### Materials

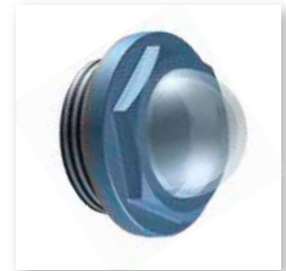
- Body: Polyamide
- Seals: NBR

### Temperature

From -20 °C to + 80 °C

### Quantity

25 pcs/pack



## Designation & Ordering code

### COMPLETE VISUAL OIL LEVEL INDICATORS

Series	Configuration example 1 :					
<b>LCC</b>	LCC	G20	N	A	K	P01
	Configuration example 2 :					
	LCC	G33	T	A		P01

Connections	Material:	N	T
<b>G13</b> G 1/4"		-	-
<b>G16</b> G 3/8"		-	-
<b>G20</b> G 1/2"		•	•
<b>G26</b> G 3/4"		•	•
<b>G33</b> G 1"		•	•
<b>G42</b> G 1 1/4"		•	-
<b>G48</b> G 1 1/2"		•	-
<b>G60</b> G 2"		•	-

Material	N	T
<b>N</b> Black polyamide		
<b>T</b> Transparent polyamide		

Seals	Material:	N			T
Expansion kit:		S	K		
<b>A</b> NBR		-	•		•
<b>B</b> Inorganic fiber		•	-		-

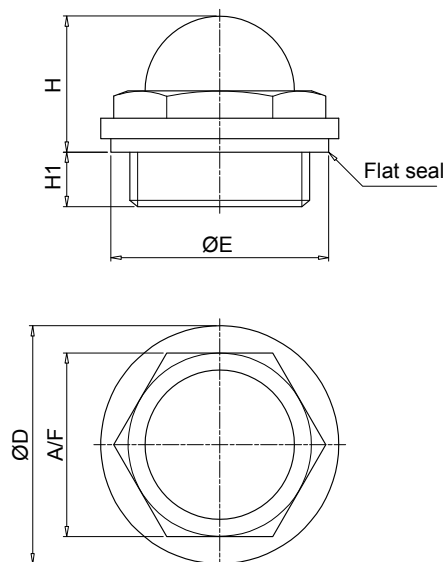
Expansion kit	Material:	N						T
Connection:		G20	G26	G33	G42	G48	G60	
<b>S</b> Without expansion kit		•	•	•	•	•	•	-
<b>K</b> With expansion kit		•	•	•	•	•	-	-

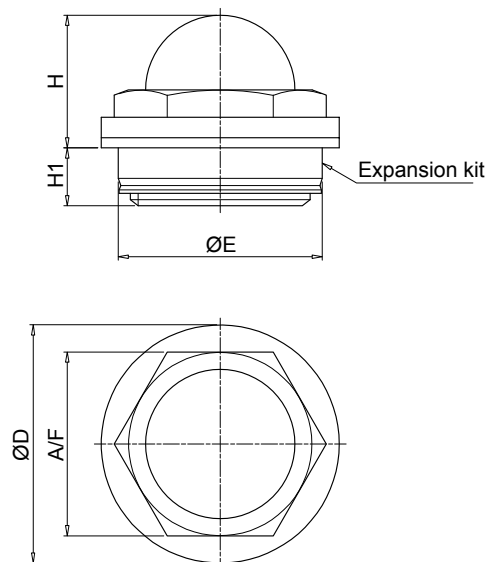
Execution	P01	Pxx
MP Filtri standard		
Customized		

### LCC - N

without expansion kit



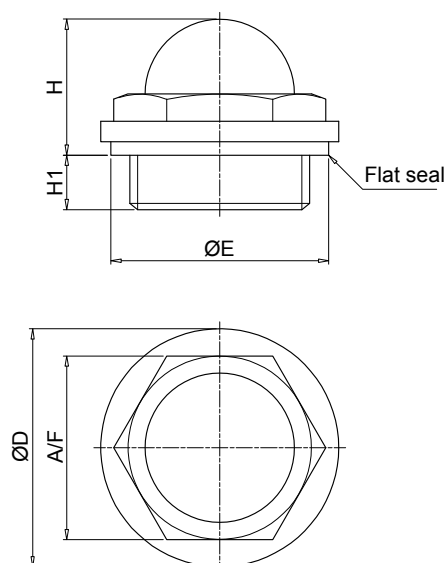
with expansion kit



Connections	ØD [mm]	ØE [mm]	A/F [mm]	H [mm]	H1 [mm]
<b>G20</b>	28	26	22	17.5	17.5
<b>G26</b>	35	32	27	20	8
<b>G33</b>	42	41	34	24	10
<b>G42</b>	52	51	44	30	11
<b>G48</b>	58	53.5	50	33	11.5
<b>G60</b>	74	72	64	39	18

Connections	ØD [mm]	ØE [mm]	A/F [mm]	H [mm]	H1 [mm]
<b>G20</b>	28	26	22	16.5	8.5
<b>G26</b>	35	30	27	19.5	8.5
<b>G33</b>	42	40	34	23.5	10.5
<b>G42</b>	52	50	44	29.5	11.5
<b>G48</b>	58	55	50	32.5	12

### LCC - T



Connections	ØD [mm]	ØE [mm]	A/F [mm]	H [mm]	H1 [mm]
<b>G13</b>	19	18.5	15	12.5	5
<b>G16</b>	21.5	21.5	17	14	5.5
<b>G20</b>	27	26	21	16.5	6
<b>G26</b>	33	32	26	19	7
<b>G33</b>	40	41	32	22.5	8



# LVA - LVU series

Visual oil level indicator - vertical shape



## Technical data

### Visual Oil Level Indicators

#### Oil level indicator - vertical shape

LVA is a range of plastic compact fluid level indicators for monitoring of the fluid level into the tank. They are directly fitted on the tank side. The fluid comes in through the lower connection screw and it is easily visible through the screen.

A white background plate, an orange line for the minimum level and a blue line for the maximum level allow an easy monitoring of the level.

#### Available features:

- Several male threaded connections, with or without nuts
- Three different sizes, to meet every size of tank
- Thermometer, to check the temperature of the fluid

#### Common applications:

- Hydraulic systems
- Mobile machines
- Industrial equipment

#### Materials

- Body: Transparent amorphous polyamide lens
- Polyamide guard
- Seal: NBR / FPM

#### Operating pressure

Max 1 bar at +80°C

#### Temperature

From -25 °C to +80 °C

#### Weight

LVA 10 0.13 kg  
LVA 20 0.18 kg  
LVA 30 0.23 kg

#### Quantity

10 pcs/pack



## Designation & Ordering code

### COMPLETE VISUAL OIL LEVEL INDICATORS

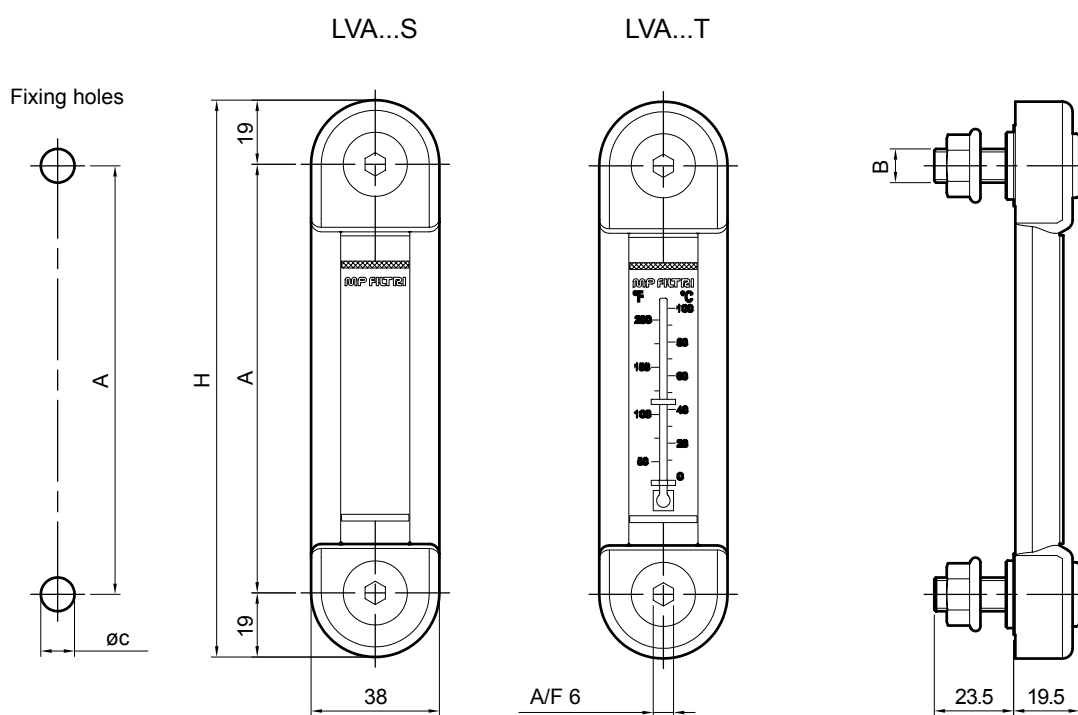
Series	Configuration example :						
<b>LVA</b>	LVA	20	T	A	P	M10	S01
<b>Size</b>							
10   20   30							
<b>Thermometer</b>							
S Without thermometer							
T With thermometer							
<b>Seals</b>							
A NBR							
V FPM							
<b>Cover material</b>							
P Polyamide							
<b>Connections</b>							
M10 M10							
M12 M12							
U38 3/8" UNC							
U12 G 1/2" UNC							
<b>Execution</b>							
S01 Tag MP Filtri, with nuts							
S02 Tag MP Filtri, without nuts							



LVA		
Size	A [mm]	H [mm]
<b>LVA10</b>	76	114
<b>LVA20</b>	127	165
<b>LVA30</b>	254	292

Type	B [mm]	C [mm]
<b>LVA...M10</b>	M10	10.5
<b>LVA...M12</b>	M12	12.5
<b>LVA...U38</b>	3/8" UNC	10.0
<b>LVA...U12</b>	1/2" UNC	13.5



**Note:** for installation onto OB Cleaning covers see page 147

## Technical data

### Visual Oil Level Indicators

#### Oil level indicator - vertical shape

LVU is a range of plastic fluid level indicators for monitoring of the fluid level into the tank. They are directly fitted on the tank side.

The fluid comes in through the lower connection screw and it is easily visible through the screen.

A background plate, a red float and the adjustable minimum level and maximum level indicators allow an easy check of the level.

#### Available features:

- G 3/8" male threaded connections
- Adjustable size on request, to meet every size of tank
- Drain valve, to drop the oil for the maintenance procedures
- Glass screen and "U" protection, to meet heavy duty applications

#### Common applications:

- Hydraulic systems
- Mobile machines
- Industrial equipment

### Materials

- Head: Polyamide
- Connection G 3/8": Nickel plated brass
- G 3/8" valve: Steel
- Seal: NBR, FPM
- Pipe: Borosilicate glass, Acrylic
- Float: Polyamide
- Protection: Aluminium
- Clamps min-max: Polyamide

### Temperature

From -25 °C to +70 °C

### Weight

Series	version U	version S
LVU 0500	0.780 kg	0.580 kg
LVU 1000	1.150 kg	0.790 kg
LVU 1500	1.550 kg	1.100 kg
LVU 2000	1.950 kg	1.400 kg

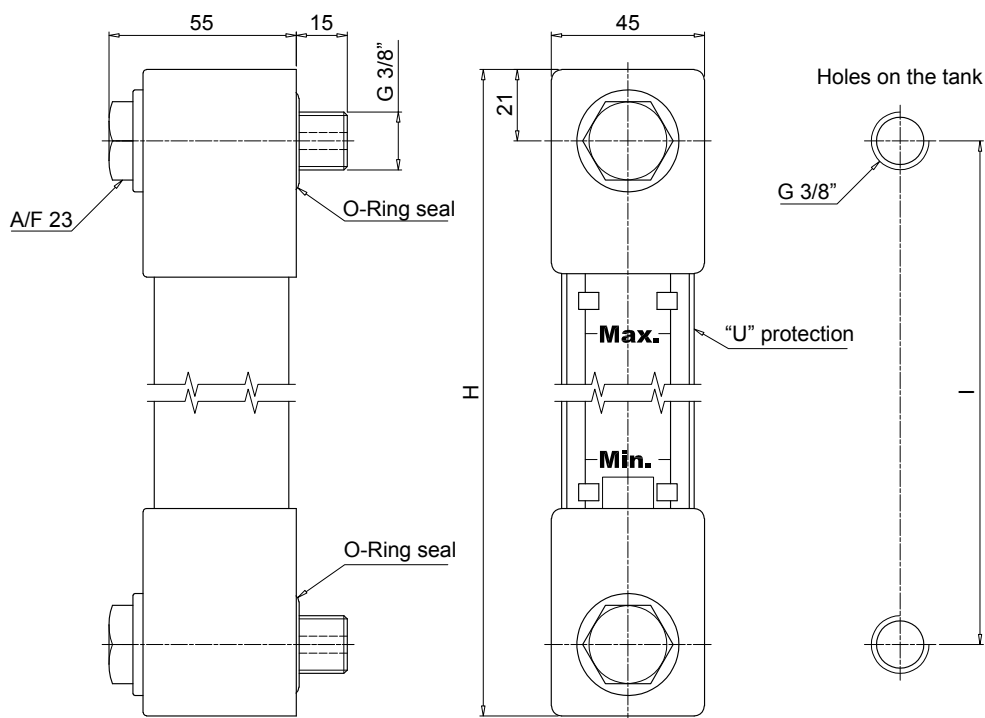


## Designation & Ordering code

### COMPLETE VISUAL OIL LEVEL INDICATORS

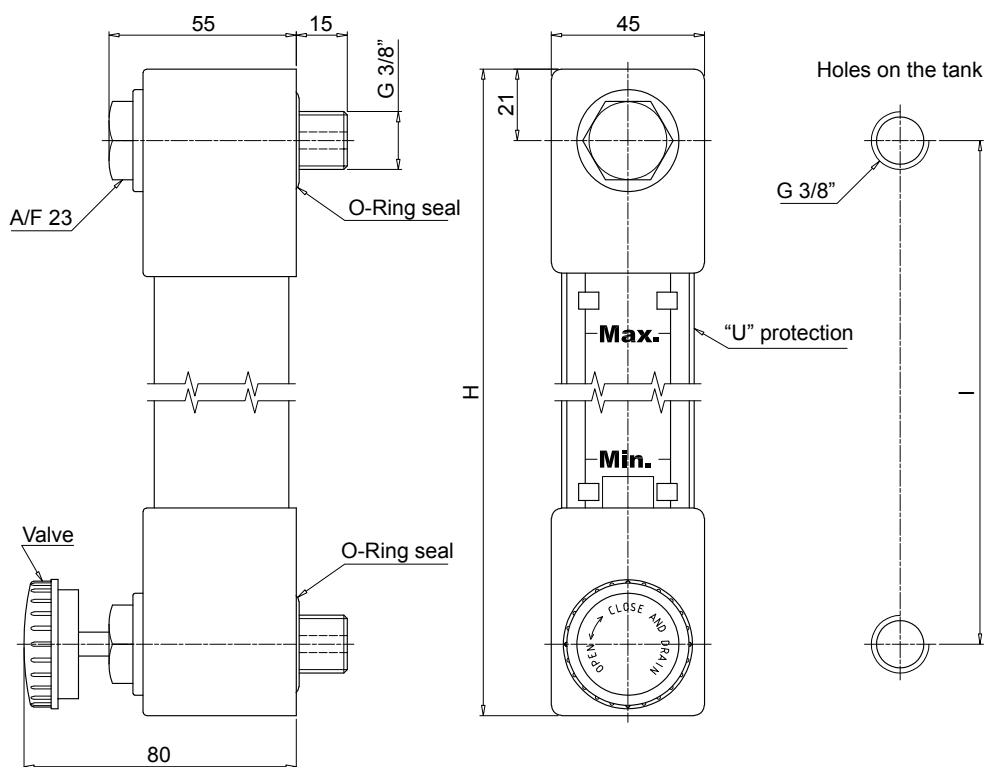
Series	Configuration example :					
<b>LVU</b>	LVU	0500	U	A	10	P01
<b>Size</b>						
<b>0500</b>	Distance between center = 500 mm					
<b>1000</b>	Distance between center = 1000 mm					
<b>1500</b>	Distance between center = 1500 mm					
<b>2000</b>	Distance between center = 2000 mm					
Different sizes on request						
<b>Body</b>	Size					
	500	1000	1500	2000		
<b>S</b>	Standard plexiglass					
<b>U</b>	Plexiglass, with "U" protection					
<b>P</b>	Borosilicate glass, with "U" protection					
<b>Seals</b>						
<b>A</b>	NBR					
<b>V</b>	FPM					
<b>Connections</b>						
<b>10</b>	G 3/8"					
<b>20</b>	G 3/8", with drain valve					
<b>Execution</b>						
<b>P01</b>	MP Filtri standard					
<b>Pxx</b>	Customized					

### Without drain valve connection Port Size 10



LVU		
Size	H [mm]	I [mm]
0500	542	500
1000	1042	1000
1500	1542	1500
2000	2042	2000

### With drain valve connection Port Size 20



**Electromagnetic float level indicators use the action of a magnet fixed to the float to change the electrical status of a reed switch mounted inside the tube.**

**As the fluid level in the tank changes, the float moves together with the magnet that, connected with the reed switch, move the contacts thereby tripping an alarm signal.**

**The movement of the float is normally limited by mechanical stops because once the magnet exceeds the point at which it activates the reed switch, the switch reverts to its original status.**

**To invert the contact status from N.O. to N.C. and vice versa, it is sufficient to invert the float.**

# Electrical Oil Level Indicators



LEN - LEG - LET - LEM - LEU page 93  
LVK 105



# LEN - LEG - LET - LEM - LEU series

Electrical oil level indicators



## Technical data

### Electrical Oil Level Indicators

LEN is a range of electrical fluid level indicators for monitoring of the fluid level into the tank.

They are directly fitted on the tank.

The float moves through the rod while the fluid level changes.

A magnet, fitted into the float, turns a reed sensor fixed into the rod.

#### Available features:

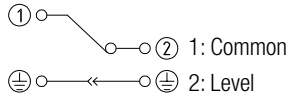
- G 1" male threaded or flanged connections
- Adjustable size on request, to meet every size of tank
- 1 or 2 floats, to monitor the minimum level, the maximum level or both of them

#### Common applications:

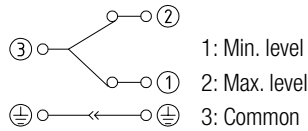
- Hydraulic systems
- Mobile machines
- Industrial equipment

#### Electrical symbol:

LEN 1 Float



LEN 2 Floats



**Note:** to invert the contact status from NC to NO and vice versa, simply invert the float.

### Materials

- Flange/Threaded body: Aluminium
- Tube: Brass
- Float: Polyamide foam
- O-Ring: NBR
- Circlip: Phosphor bronze
- Contact: N.C. (Normally Closed)

### Electrical data

- Protection rating: IP65
- Max switching capacity: 80 W
- Max switching current: 1 A
- Max switching voltage: 250 Vac
- Fluid specific gravity: > 0.75

### Temperature

From -15 °C to + 80 °C

### Weight

LEN 1 float 0.185 kg  
LEN 2 floats 0.230 kg



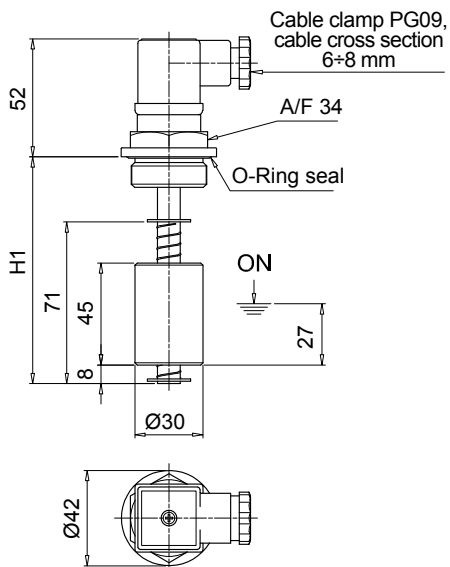
## Designation & Ordering code

### COMPLETE ELECTRICAL OIL LEVEL INDICATORS

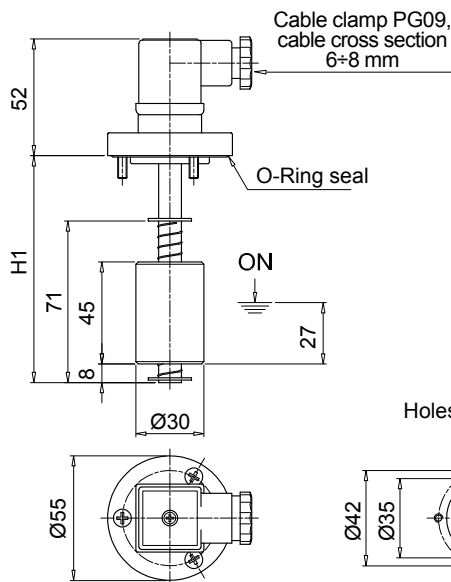
Series	Configuration example :									
<b>LEN</b>	LEN	A	350	2	A	1	A	G	S	P01
<b>Tube material</b>										
<b>A</b> Brass										
<b>Length</b>										
<b>150   200   250   350   400   500</b>										
<b>Number of floats</b>	Length									
	150	200	250	350	400	500				
<b>1</b> Nr. 1 float	•	•	•	•	•	•				
<b>2</b> Nr. 2 floats	-	•	•	•	•	•				
<b>Float material</b>										
<b>A</b> Polyamide foam										
<b>Electrical switch</b>										
<b>1</b> N.C. (Normally Closed)										
<b>Seals</b>										
<b>A</b> NBR										
<b>Connections</b>										
<b>G</b> G 1"										
<b>F</b> Nr. 3 holes flange										
<b>Electrical connection</b>										
<b>S</b> EN 175301-803 connector										
										<b>Execution</b>
										<b>P01</b> MP Filtri standard
										<b>Pxx</b> Customized



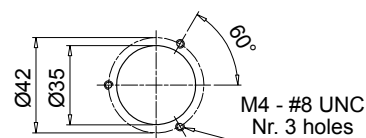
### Connection "G"



### Connection "F"



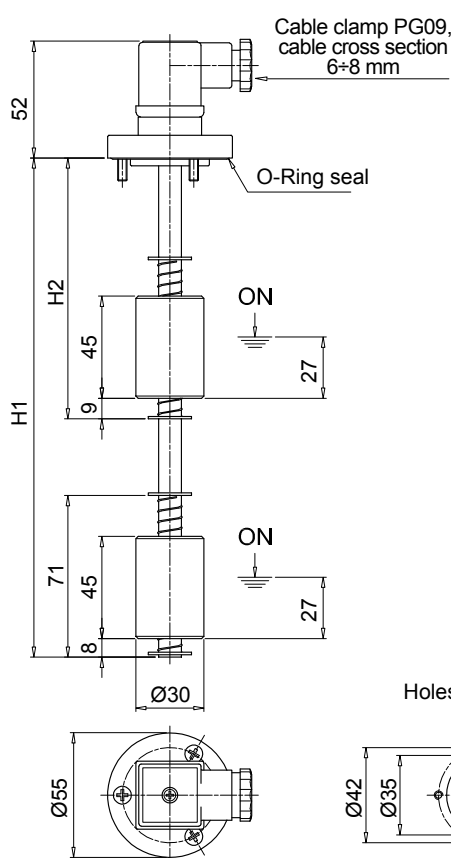
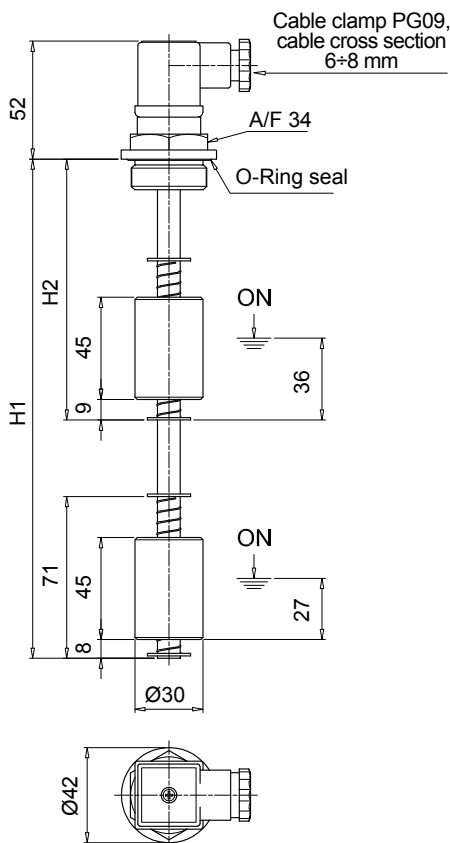
#### Holes on the tank



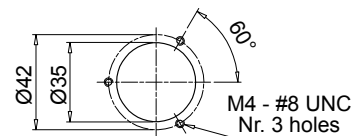
LEN

Nr. 1 float

Length	H1 [mm]
150	150
200	200
250	250
350	350
400	400
500	500



#### Holes on the tank



LEN

Nr. 2 floats

Length	H1 [mm]	H2 [mm]
200	200	95
250	250	105
350	350	115
400	400	115
500	500	125

## Technical data

### Electrical Oil Level Indicators

LEG is a range of electrical fluid level indicators for monitoring of the fluid level into the tank.

They are directly fitted on the tank side.

The float moves through the rod while the fluid level changes.

A magnet, fitted into the float, turns a reed sensor fixed into the rod.

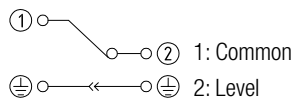
#### Available features:

- Flanged connections
- Adjustable size on request, to meet every size of tank
- Floating monitor for oil level check

#### Common applications:

- Hydraulic systems
- Mobile machines
- Industrial equipment

#### Electrical symbol:



**Note:** to invert the contact status from NC to NO and vice versa, simply invert the float.

### Materials

- Flange/Threaded body: Aluminium
- Tube: Brass
- Float: Polyamide foam
- O-Ring: NBR
- Circlip: Phosphor bronze
- Contact: N.C. (Normally Closed)

### Electrical data

- Protection rating: IP65
- Max switching capacity: 80 W
- Max switching current: 1 A
- Max switching voltage: 250 Vac
- Fluid specific gravity: > 0.75

The electrical properties indicated are referred to resistive loads; for capacitive and inductive loads and incandescent lamps, use protection circuits.

### Temperature

From -15 °C to + 80 °C

### Weight

LEG A 102 0.19 kg  
 LEG A 200 0.22 kg

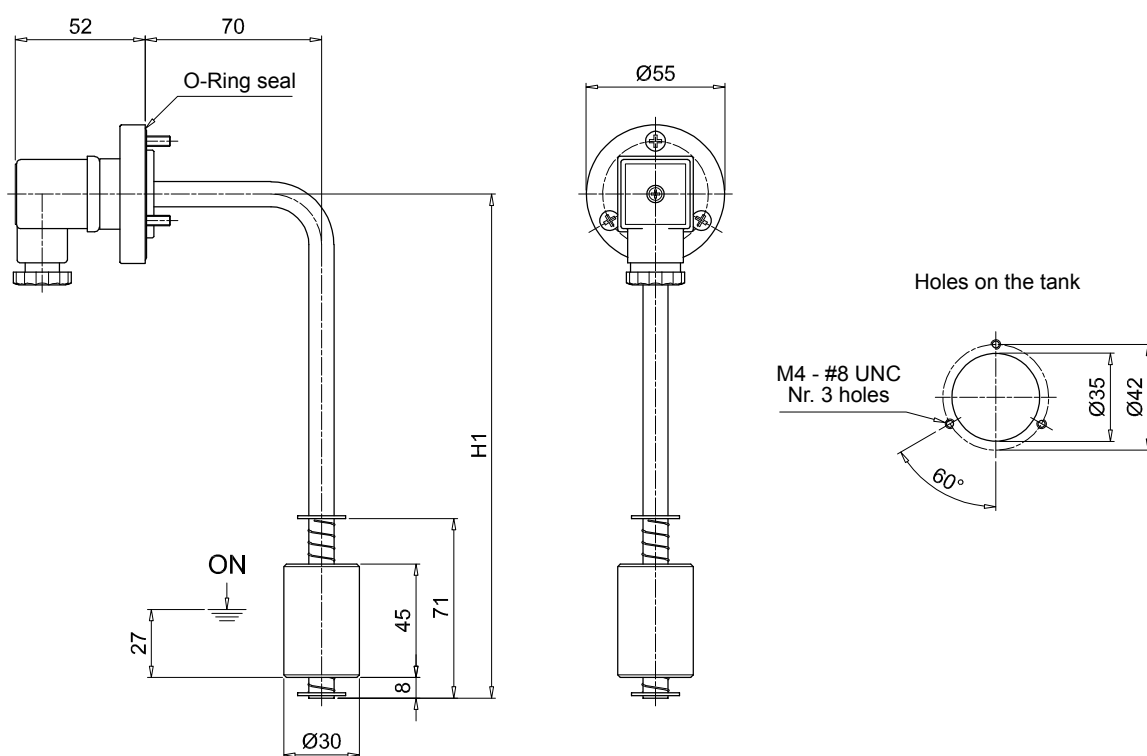


## Designation & Ordering code

### COMPLETE ELECTRICAL OIL LEVEL INDICATOR

Series	Configuration example :	LEG	A	200	1	A	1	A	F	S	P01
<b>LEG</b>											
<b>Tube material</b>											
<b>A</b> Brass											
<b>Length</b>											
<b>102   200  </b>											
<b>Number of floats</b>											
<b>1</b> Nr. 1 float											
<b>Float material</b>											
<b>A</b> Polyamide foam											
<b>Electrical switch</b>											
<b>1</b> N.C. (Normally Closed)											
<b>Seals</b>											
<b>A</b> NBR											
<b>Connections</b>											
<b>F</b> Nr. 3 holes flange											
<b>Electrical connection</b>											
<b>S</b> EN 175301-803 connector											
<b>Execution</b>											
<b>P01</b> MP Filtri standard											
<b>Pxx</b> Customized											

LEG	
Size	H1 [mm]
<b>LEG 102</b>	103
<b>LEG 200</b>	200



**Note:** for installation onto OB Cleaning covers see page 147

## Technical data

### Electrical Oil Level Indicators

LET is a range of electrical fluid level indicators for monitoring of the fluid level into the tank. They are directly fitted on the tank. The float moves through the rod while the fluid level changes. A magnet, fitted into the float, turns a reed sensor fixed into the rod. The integrated thermostat allows to get a remote monitoring of the temperature.

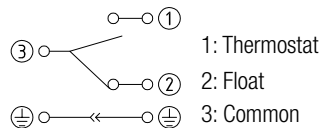
#### Available features:

- G 1" male threaded or flanged connections
- Adjustable size on request, to meet every size of tank
- Floating monitor for oil level check

#### Common applications:

- Hydraulic systems
- Mobile machines
- Industrial equipment

#### Electrical symbol:



**Note:** to invert the contact status from NC to NO and vice versa, simply invert the float.

### Materials

- Flange/Threaded body: Aluminium
- Tube: Brass
- Float: Polyamide foam
- O-Ring: NBR
- Circlip: Phosphor bronze
- Contact: N.C. (Normally Closed)

### Electrical data

- Protection rating: IP65
- Max switching capacity: 80 W
- Max switching current: 1 A
- Max switching voltage: 250 Vac
- Fluid specific gravity: > 0.75

### Temperature

From -15 °C to + 80 °C

### Weight

LET A 200	0.20 kg
LET A 300	0.23 kg
LET A 400	0.28 kg



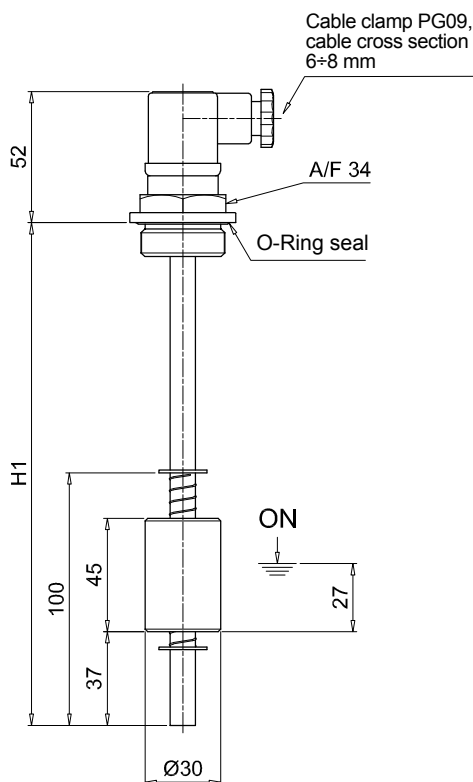
## Designation & Ordering code

### COMPLETE ELECTRICAL OIL LEVEL INDICATOR

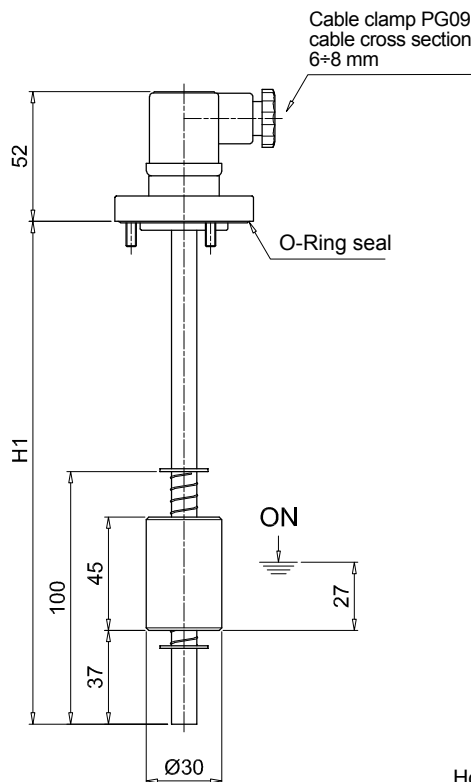
Series	Configuration example :	LET	A	300	1	A	1	A	F	S	50	P01
<b>LET</b>												
<b>Tube material</b>												
<b>A</b> Brass												
<b>Length</b>												
<b>200   300   400</b>												
<b>Number of floats</b>												
<b>1</b> Nr. 1 float												
<b>Float material</b>												
<b>A</b> Polyamide foam												
<b>Electrical switch</b>												
<b>1</b> N.C. (Normally Closed)												
<b>Seals</b>												
<b>A</b> NBR												
<b>Connections</b>												
<b>G</b> G 1"												
<b>F</b> Nr. 3 holes flange												
<b>Electrical connection</b>												
<b>S</b> EN 175301-803 connector												
<b>Thermostat setting</b>												
<b>50</b> 50°C N.O. (Normally Open)												
<b>Execution</b>												
<b>P01</b> MP Filtri standard												
<b>Pxx</b> Customized												

LET	
Length	H1 [mm]
200	200
300	300
400	400

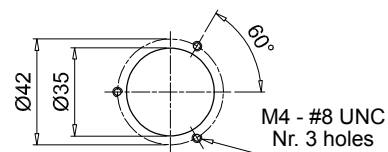
### Connection "G"



### Connection "F"



### Holes on the tank



# LEM GENERAL INFORMATION

## Technical data

### Electrical Oil Level Indicators

LEM is a range of electrical fluid level indicators for monitoring of the fluid level into the tank. They are directly fitted on the tank.

The float moves through the rod while the fluid level changes.

A magnet, fitted into the float, turns a reed sensor fixed into the rod.

The setting point is adjustable on site, with few easy actions.

#### Available features:

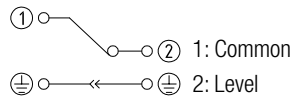
- Flanged connections
- Adjustable size to meet every size of tank
- Floating monitor for oil level check
- Integrated thermostat, to get a remote monitoring of the temperature

#### Common applications:

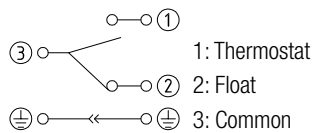
- Hydraulic systems
- Mobile machines
- Industrial equipment

#### Electrical symbol:

LEM without thermostat



LEM with thermostat



**Note:** to invert the contact status from NC to NO and vice versa, simply invert the float.

### Materials

- Flange/Threaded body: Aluminium
- Tube: Brass
- Float: Polyamide foam
- O-Ring: NBR
- Circlip: Phosphor bronze
- Float contact: N.C. reed, N.O. (on request)
- Thermostat contact: N.O., N.C. (on request)

### Electrical data

- Protection rating: IP65
- Max switching capacity: 80 W
- Max switching current: 1 A
- Max switching voltage: 250 Vac
- Fluid specific gravity: > 0.75

### Temperature

From -15 °C to +80 °C

### Weight

LEM 0.406 kg

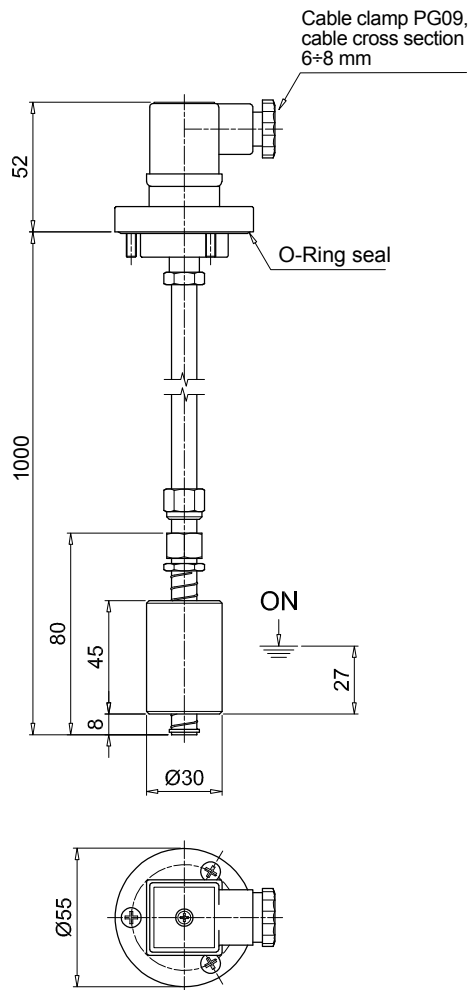


## Designation & Ordering code

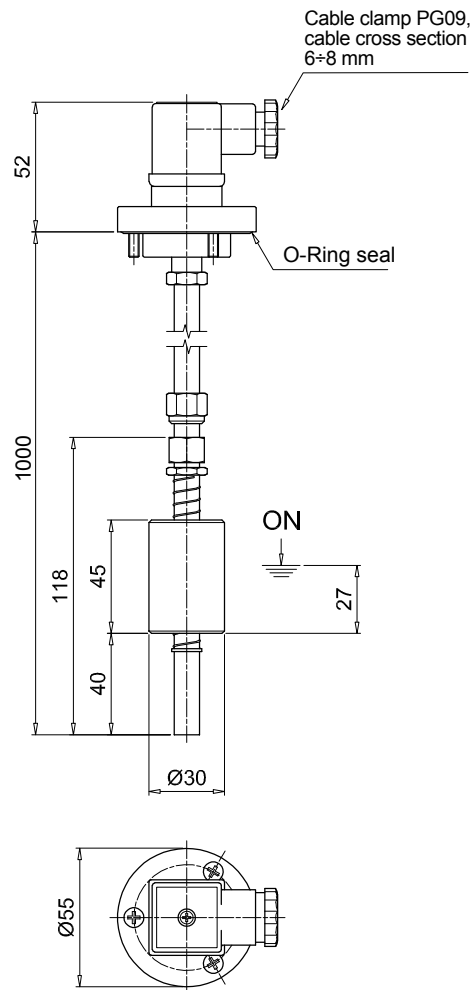
### COMPLETE ELECTRICAL OIL LEVEL INDICATOR

Series	Configuration example :	LEM	A	1000	1	A	1	A	F	S	60	P01
<b>LEM</b>												
<b>Tube material</b>												
<b>A</b>	Brass											
<b>Length</b>												
<b>1000</b>												
<b>Number of floats</b>												
<b>1</b>	Nr. 1 float											
<b>Float material</b>												
<b>A</b>	Polyamide foam											
<b>Electrical switch</b>												
<b>1</b>	N.C. (Normally Closed)											
<b>Seals</b>												
<b>A</b>	NBR											
<b>Connections</b>												
<b>F</b>	Nr. 3 holes flange											
<b>Electrical connection</b>												
<b>S</b>	EN 175301-803 connector											
<b>Thermostat setting</b>												
<b>00</b>	Without thermostat											
<b>60</b>	60°C N.O. (Normally Open)											
<b>Execution</b>												
<b>P01</b>	MP Filtri standard											
<b>Pxx</b>	Customized											

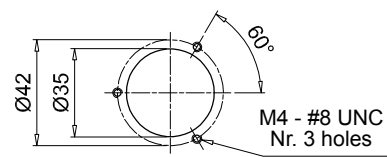
### Without thermostat



### With thermostat



### Holes on the tank



## Technical data

### Electrical Oil Level Indicators

LEU is a range of electrical fluid level indicators for monitoring of the fluid level into the tank. They are directly fitted on the tank. The float moves through the rod while the fluid level changes. A magnet, fitted into the float, turns a reed sensor fixed into the rod. The setting point is adjustable on site, with few easy actions. They are made of stainless steel, to meet every heavy duty application.

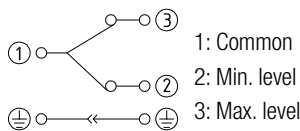
#### Available features:

- Flanged connections
- Setting size for each tank type
- Double Floating monitor for oil level check

#### Common applications:

- Hydraulic systems
- Mobile machines
- Industrial equipment

#### Electrical symbol:



**Note:** to invert the contact status from NC to NO and vice versa, simply invert the float.

### Materials

- Flange / Threaded body: Aluminium
- Tube: AISI 304
- Float: NBR, AISI 316 (on request)
- O-Ring: NBR
- Circlip: AISI 304
- Float contact: N.C. reed, N.O. (on request)

### Electrical data

- Protection rating: IP65
- Max switching capacity: 50 W
- Max switching current: 0.5 A
- Max switching voltage: 250 Vac
- Fluid specific gravity: > 0.75

### Temperature

From -15 °C to + 80 °C

### Weight

LEU 0.415 kg



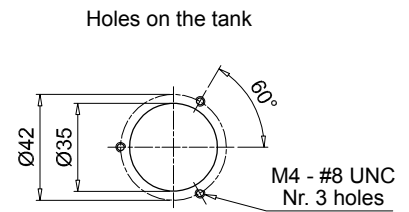
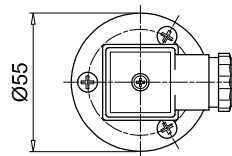
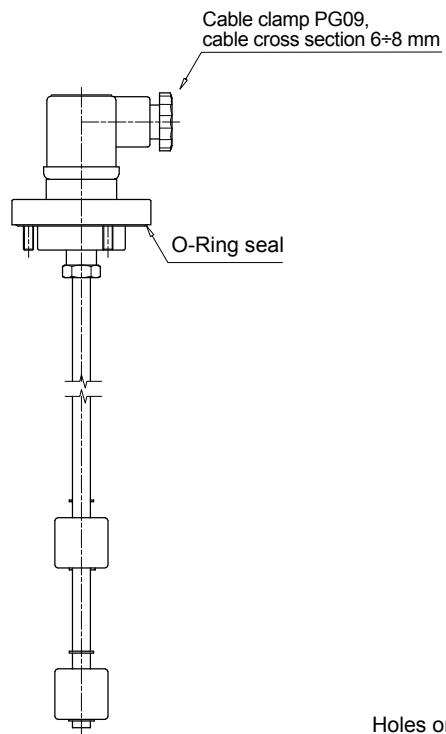
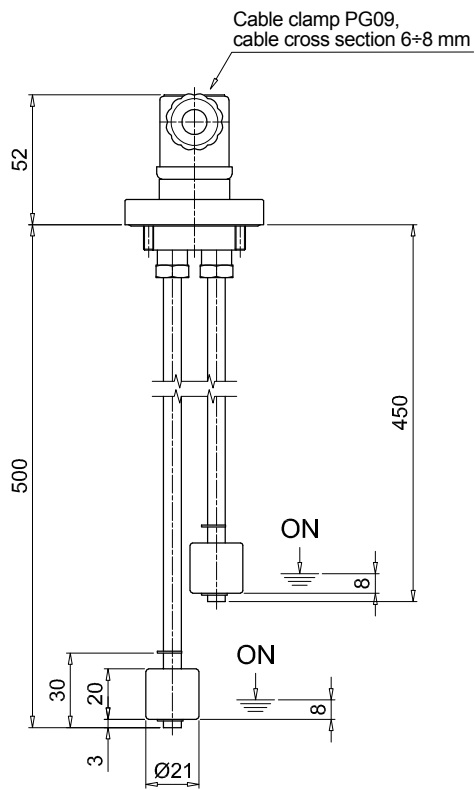
## Designation & Ordering code

### COMPLETE ELECTRICAL OIL LEVEL INDICATOR

Series	Configuration example :	LEU	B	2	B	1	A	F	S	P01
<b>LEU</b>										
<b>Tube material</b>										
<b>B</b> AISI 304										
<b>Number of floats</b>										
<b>2</b> Nr. 2 floats										
<b>Float material</b>										
<b>B</b> NBR										
<b>Electrical switch</b>										
<b>1</b> N.C. (Normally Closed)										
<b>Seals</b>										
<b>A</b> NBR										
<b>Connections</b>										
<b>F</b> Nr. 3 holes flange										
<b>Electrical connection</b>										
<b>S</b> EN 175301-803 connector										
<b>Execution</b>										
<b>P01</b> MP Filtri standard										
<b>Pxx</b> Customized										



LEU





# LVK series

Electrical and visual oil level indicator



## Technical data

### Electrical Oil Level Indicators

LVK is a range of electrical and visual fluid level indicators for monitoring of the fluid level into the tank. They are directly fitted on the tank side. The float moves through the indicator housing while the fluid level changes.

#### Available features:

- Several male threaded connections
- Three different sizes, to meet every size of tank
- Thermometer, thermostat or PT100, to check the temperature of the fluid

#### Common applications:

- Hydraulic systems
- Mobile machines
- Industrial equipment

#### Electrical symbol:

see page. 118

### Materials

- Head: Polyamide
- Screws: Nickel plated brass (standard), AISI 314 (optional)
- Seal: NBR (standard)
- Float: Polyamide
- Sensor thermometer: Screw + thermometer

### Temperature

From -20 °C to + 80 °C

### Weight

LVK 10	0.140 kg
LVK 20	0.170 kg
LVK 30	0.250 kg



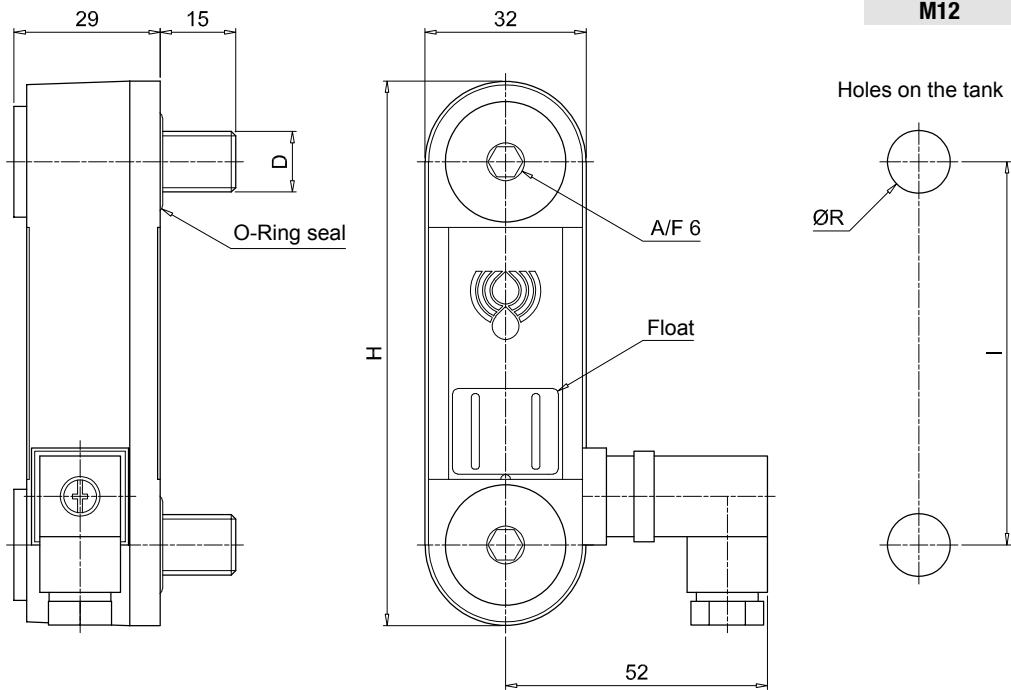
## Designation & Ordering code

### COMPLETE ELECTRICAL AND VISUAL OIL LEVEL INDICATORS

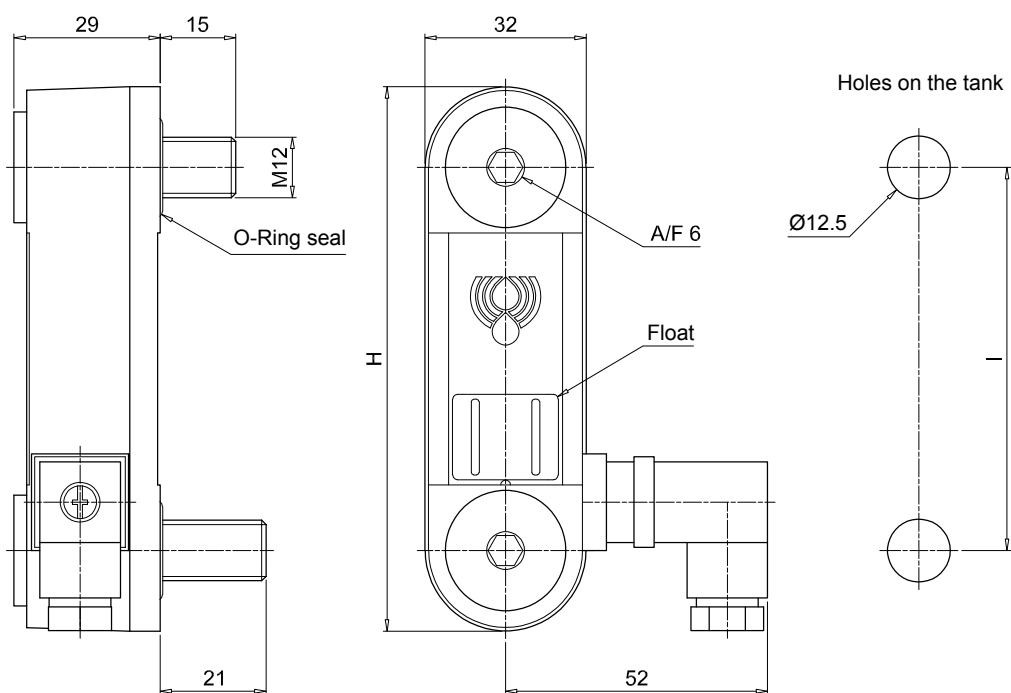
Series	Configuration example : LVK 20 A M12 1 T 5 P01								
<b>LVK</b>									
<b>Length</b>	10   20   30								
<b>Seals</b>	A NBR								
<b>Connections</b>	M10 Screws M10   M12 Screws M12								
<b>Electrical switch in absence of fluid</b>	1 N.O. (Normally Open) 2 N.C. (Normally Closed) 3 SPDT (single-pole, double throw)								
<b>Version</b>		Connection							
		M10	M12						
<b>S</b> Standard		•	•						
<b>T</b> With thermostat		-	•						
<b>P</b> With PT100 sensor		-	•						
<b>Thermostat setting</b>		Version							
		S	T	P					
<b>S</b> Standard (no setting)		•		•					
<b>1</b> 50°C N.O. (Normally Open)		-	•	-					
<b>2</b> 60°C N.O. (Normally Open)		-	•	-					
<b>3</b> 70°C N.O. (Normally Open)		-	•	-					
<b>5</b> 50°C N.C. (Normally Closed)		-	•	-					
<b>6</b> 60°C N.C. (Normally Closed)		-	•	-					
<b>7</b> 70°C N.C. (Normally Closed)		-	•	-					
		<b>Execution</b>							
		<b>P01</b> MP Filtri standard							
		<b>Pxx</b> Customized							

LVK		
Size	H [mm]	I [mm]
<b>10</b>	108	76
<b>20</b>	159	127
<b>30</b>	286	254
Connections	D [mm]	ØR [mm]
<b>M10</b>	M10	10.5
<b>M12</b>	M12	12.5

### Without thermostat

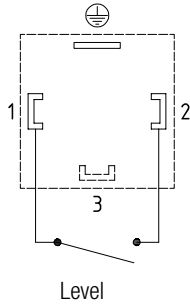


### With thermostat

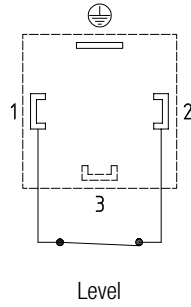


## Electrical symbols

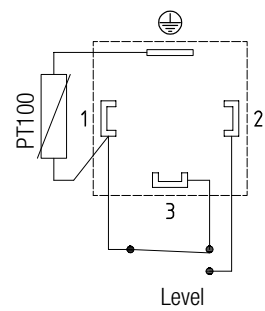
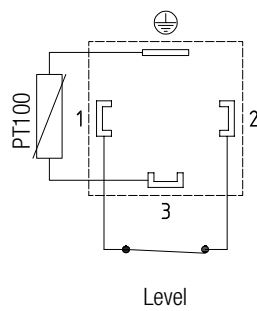
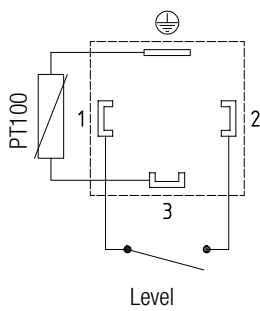
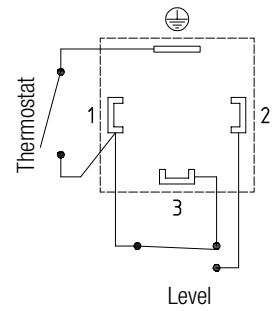
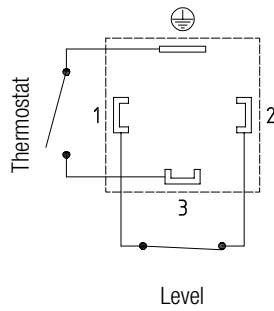
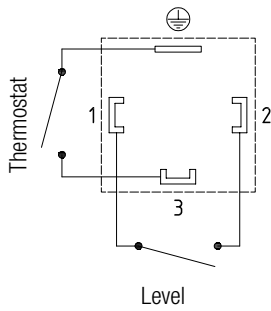
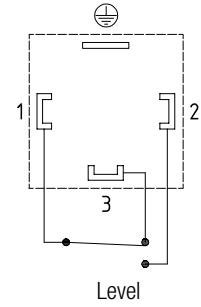
N.O.  
(Normally Open)



N.C.  
(Normally Closed)



SPDT  
(single-pole, double-throw)





**EM1 & SVM gauge isolator valves are designed to protect pressure gauges from pressure shocks when the pressure reading is not required.**

**FTA/FTR flanges make it possible to fix suction and return lines on the reservoir cover.**

**MULTIFIX fixing clamps make it possible to install various pipelines of different types and diameters, rapidly, easily, and, more importantly, economically.**

**CLEANING COVERS, facilitating the maintenance of oil tanks in hydraulic power units, without necessarily having to dismantle the unit.**

**ALUMINIUM TANKS of 10 litres capacity, allowing the assembly of a compact hydraulic power unit.**





EM1	page 113
SVM	119
FTA - FTR	123
MULTIFIX SFT	127



# EM1 series

Pressure gauge isolator



## Technical data

### Accessories

#### Pressure gauge isolator

Gauge isolator valves are designed to protect pressure gauges from pressure shocks when the pressure reading is not required; after each reading setting the selector to the closed position serves to depressurise the pressure gauge by means of the T fitting connected to the reservoir.

#### Working instructions:

- Button not pressed: pressure gauge isolated
- Button pressed: pressure gauge reading
- Button pressed and turned (either to left or right): button remains in position and pressure gauge measures pressure continuously.
- To isolate the pressure gauge from pressure reading, turn the button until it returns to the not pressed position.

#### Materials A-B

- Body: Cast iron
- Pin: Steel
- Seals: NBR
- Knob/cover: Polyamide
- Stop ring: Steel
- Spring: Steel
- Nameplate: Aluminium
- Nut-screw: Galvanized steel

#### Materials C

- Body: Cast iron
- Pin: Steel
- Seals: NBR
- Knob/cover: Polyamide
- Stop ring: Steel
- Spring: Steel
- Nameplate: Aluminium
- Nut-screw: Galvanized steel
- Plug: Anodized steel

#### Operating pressure

400 bar

#### Operating temperature

From -25 °C to + 100 °C

#### Weight

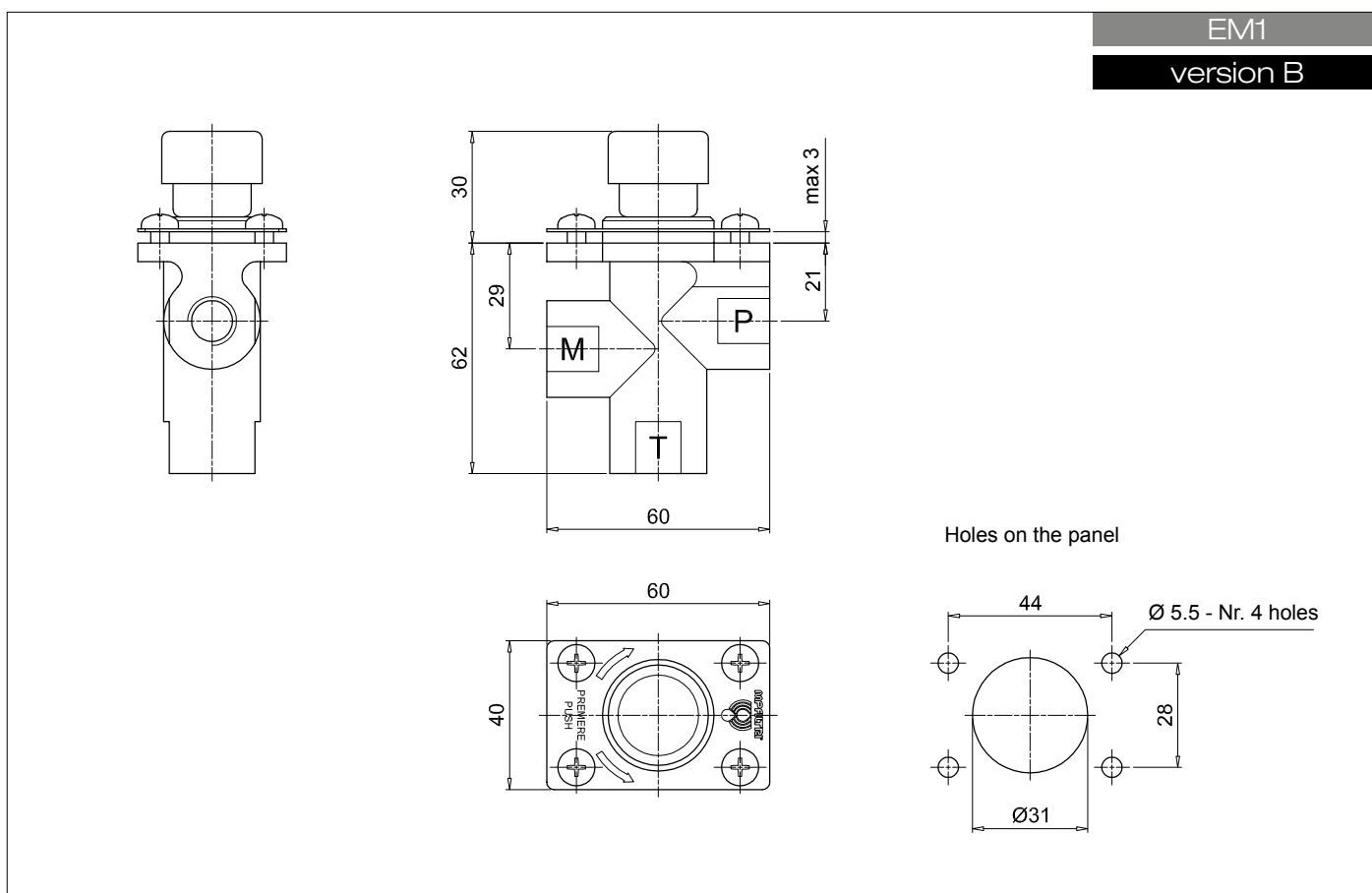
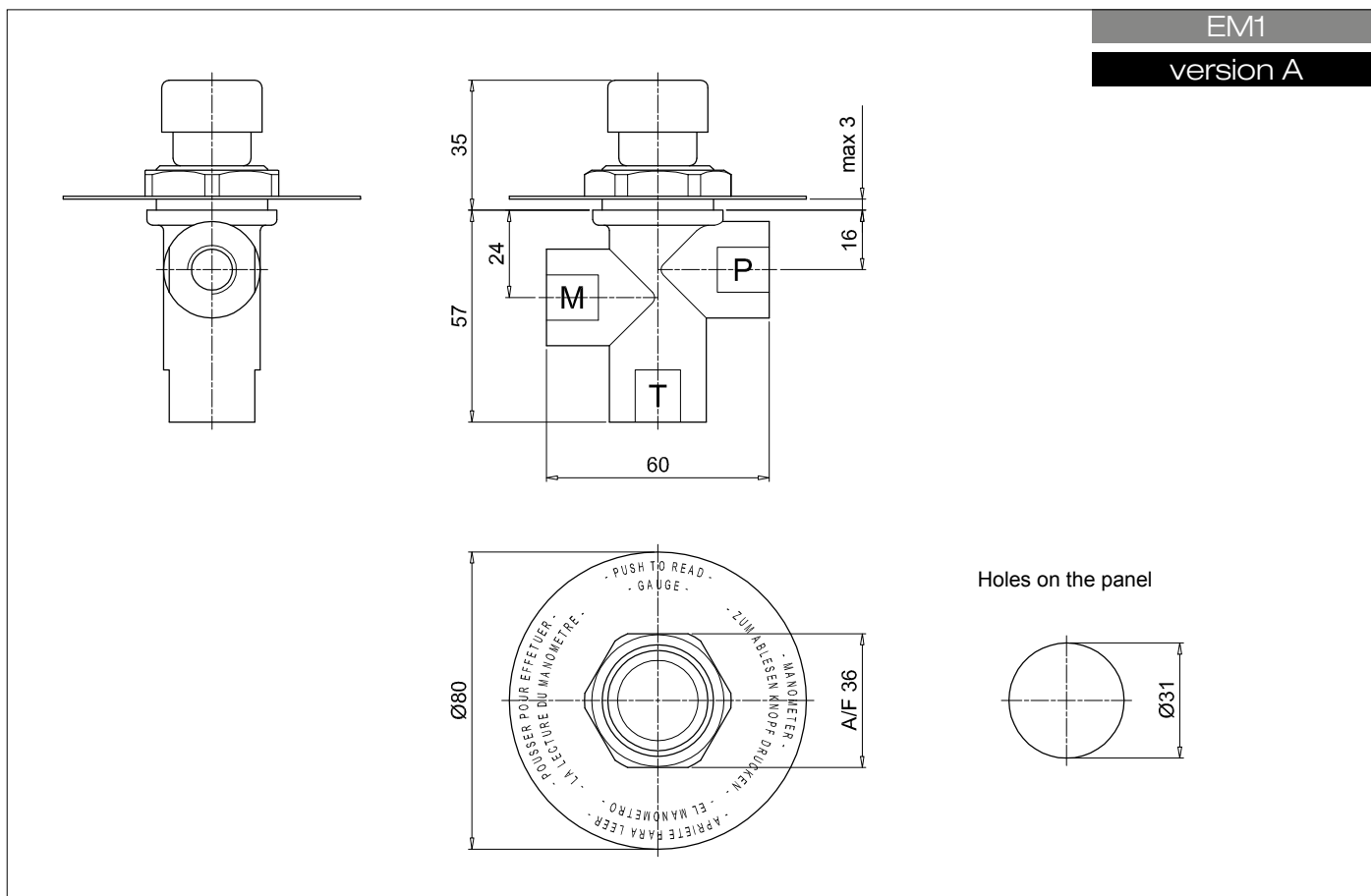
EM1 version A	0.41 kg
EM1 version B	0.44 kg
EM1 version C	1.00 kg



## Designation & Ordering code

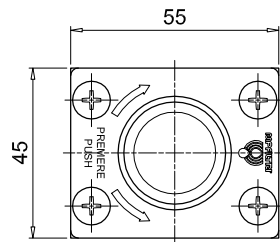
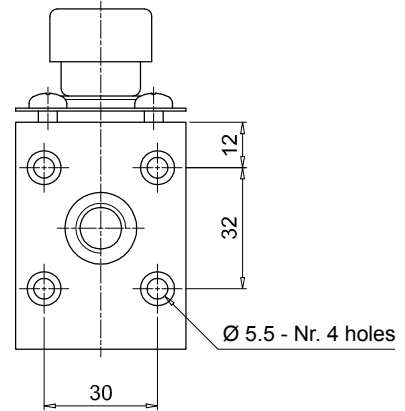
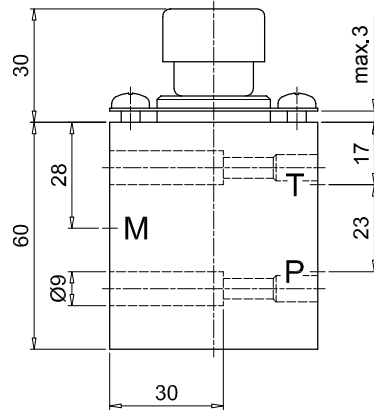
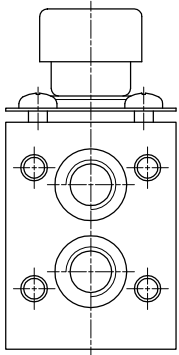
### COMPLET PRESSURE-GAUGE ISOLATOR

<b>Series</b>		Configuration example : <b>EM1</b> <b>A</b> <b>G2</b> <b>A</b> <b>P01</b>				
<b>EM1</b>						
<b>Version</b>		<b>G1</b>	<b>G2</b>			
<b>A</b>	Threaded connections, panel mount with hex nut	•	•			
<b>B</b>	Threaded connections, panel mount with screws	•	-			
<b>C</b>	Manifold/threaded connections, panel mount with screws	•	-			
<b>Connection</b>						
<b>G1</b>	G 1/4"					
<b>G2</b>	1/4" NPT					
<b>Seals</b>						
<b>A</b>	NBR					
<b>Execution</b>						
<b>P01</b>	MP Filtri standard					
<b>Pxx</b>	Customized					

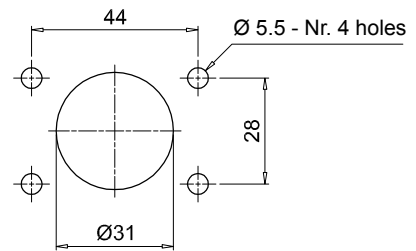


EM1

version C



Holes on the panel









# SVM series

Gauge selector valve



# SVM GENERAL INFORMATION

## Technical data

### Accessories

#### Gauge selector valve

Gauge isolator valves are designed to protect pressure gauges from pressure shocks when the pressure reading is not required; after each reading setting the selector to the closed position serves to depressurize the pressure gauge by means of the T fitting connected to the reservoir.

#### Working instructions:

- Knob not pressed: pressure gauge isolated
- Knob pressed: pressure gauge reading
- Knob pressed and turned: the knob remains in position and pressure gauge measures pressure continuously.
- To isolate the pressure gauge from pressure reading, turn the button until it returns to the not pressed position.

#### Materials

- Body: Cast iron
- Pin: Steel
- Seals: NBR
- Cover: Anodized aluminium
- Flange: Anodized aluminium
- Knob: Polyamide
- Ringnut: Polyamide
- Nut-screw: Galvanized steel, Phosphatized steel

#### Operating pressure

400 bar

#### Operating temperature

From -25 °C to + 100 °C

#### Weight

SVM version 3 1.547 kg  
SVM version 6 1.507 kg



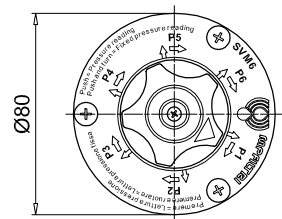
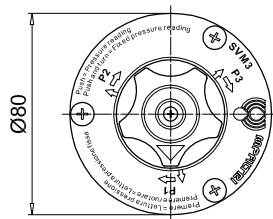
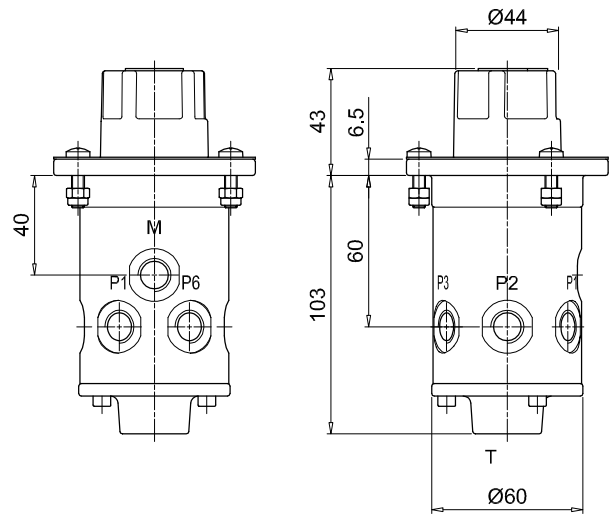
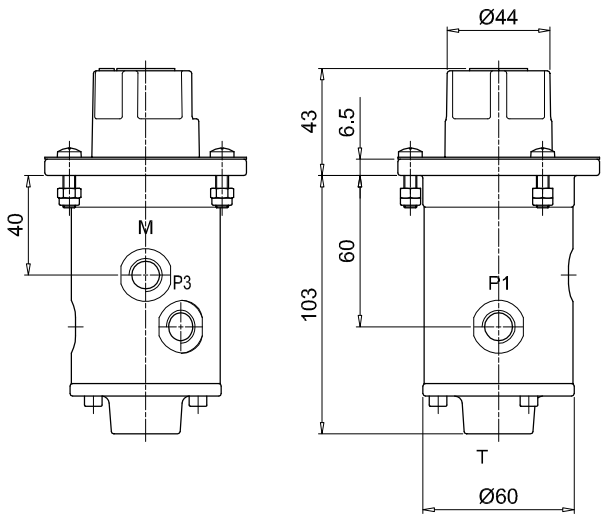
## Designation & Ordering code

### COMPLETE GAUGE ISOLATOR VALVE

Series	Configuration example :				
<b>SVM</b>	SVM	3	G1	A	P01
<b>Version</b>					
<b>3</b> Nr. 3 pressure ports					
<b>6</b> Nr. 6 pressure ports					
<b>Connection</b>					
<b>G1</b> G 1/4"					
<b>Seals</b>					
<b>A</b> NBR					
<b>Execution</b>					
<b>P01</b> MP Filtri standard					
<b>Pxx</b> Customized					

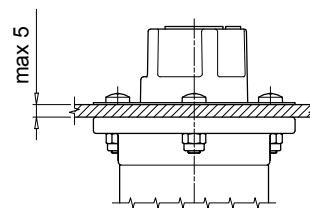
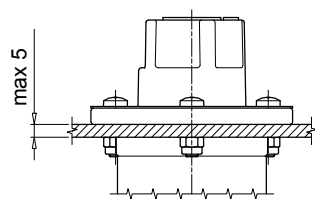
SVM  
version 3

SVM  
version 6

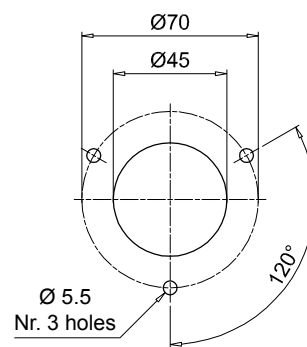
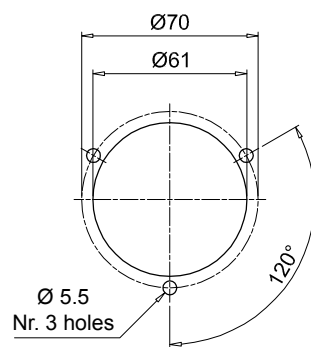


External mount

Internal mount



Holes on the panel





# FTA -FTR series

Oil tank fixing flange



# FTA - FTR GENERAL INFORMATION

## Technical data

### Accessories

#### Oil tank fixing flange

FT flanges make it possible to fix suction and return lines on the reservoir cover.

Fitting a flexible insert allows separation of pipes.

Both rigid pipes and flexible hoses can be separated from the reservoir walls, absorbing vibration and reducing plant noise emissions.

#### Operating temperature

From -25 °C to + 100 °C

### Materials

- Flange: Galvanized steel
- Flange seal: Inorganic fibre
- Tube seal: NBR
- Screw: Galvanized steel

#### Weight FTA

FTA 1215	0.590 kg
FTA 1620	0.570 kg
FTA 2225	0.550 kg
FTA 2630	0.530 kg
FTA 3235	0.500 kg
FTA 3842	0.520 kg
FTA 4850	0.920 kg
FTA 6061	0.900 kg
FTA 7577	0.860 kg
FTA 8789	0.830 kg

#### Weight FTR

FTR 0610	0.450 kg
FTR 1215	0.430 kg
FTR 1620	0.400 kg
FTR 2225	0.100 kg
FTR 2630	0.103 kg
FTR 3235	0.980 kg
FTR 3842	0.950 kg
FTR 4850	0.900 kg
FTR 6061	0.850 kg

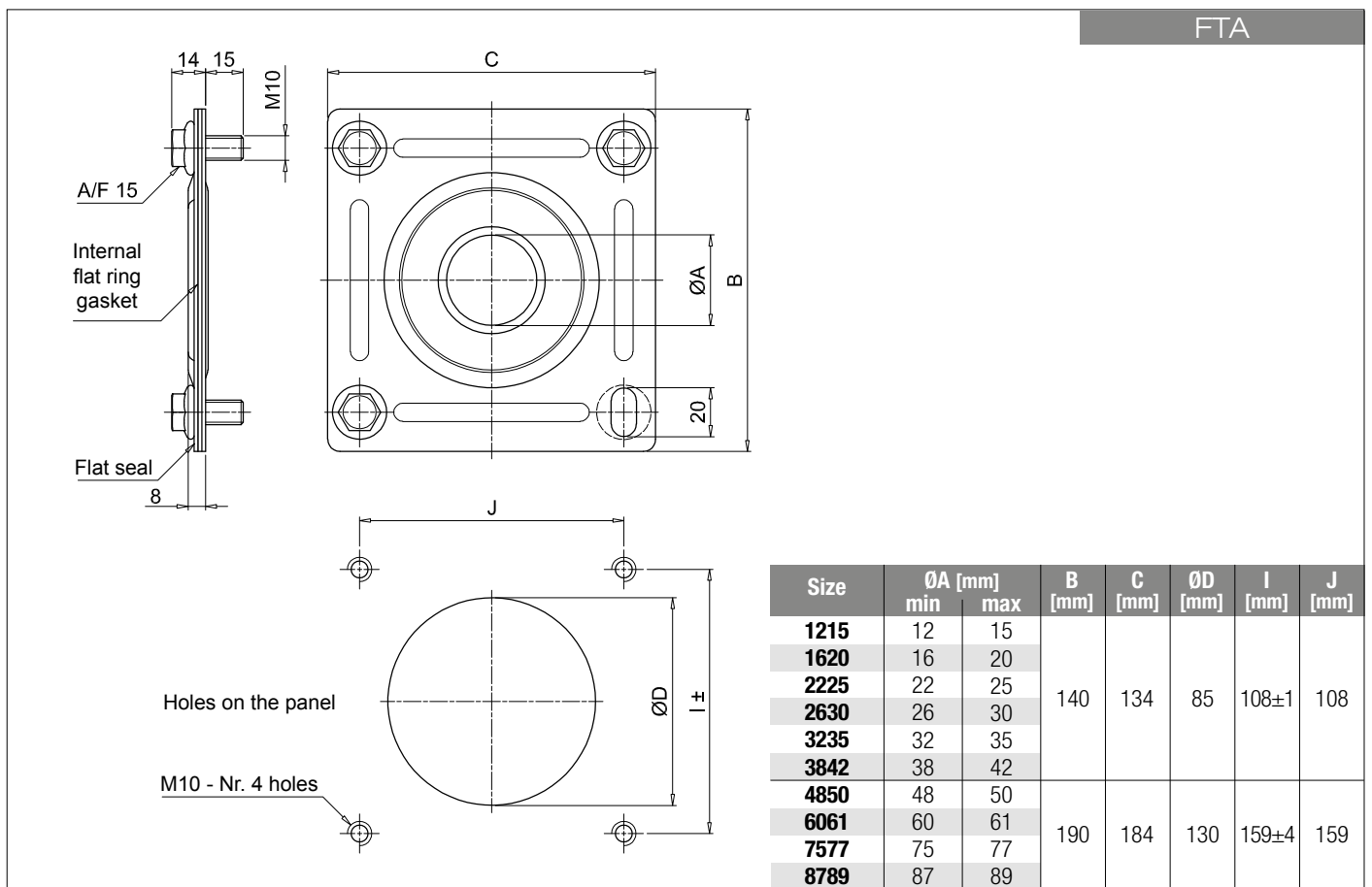


## Designation & Ordering code

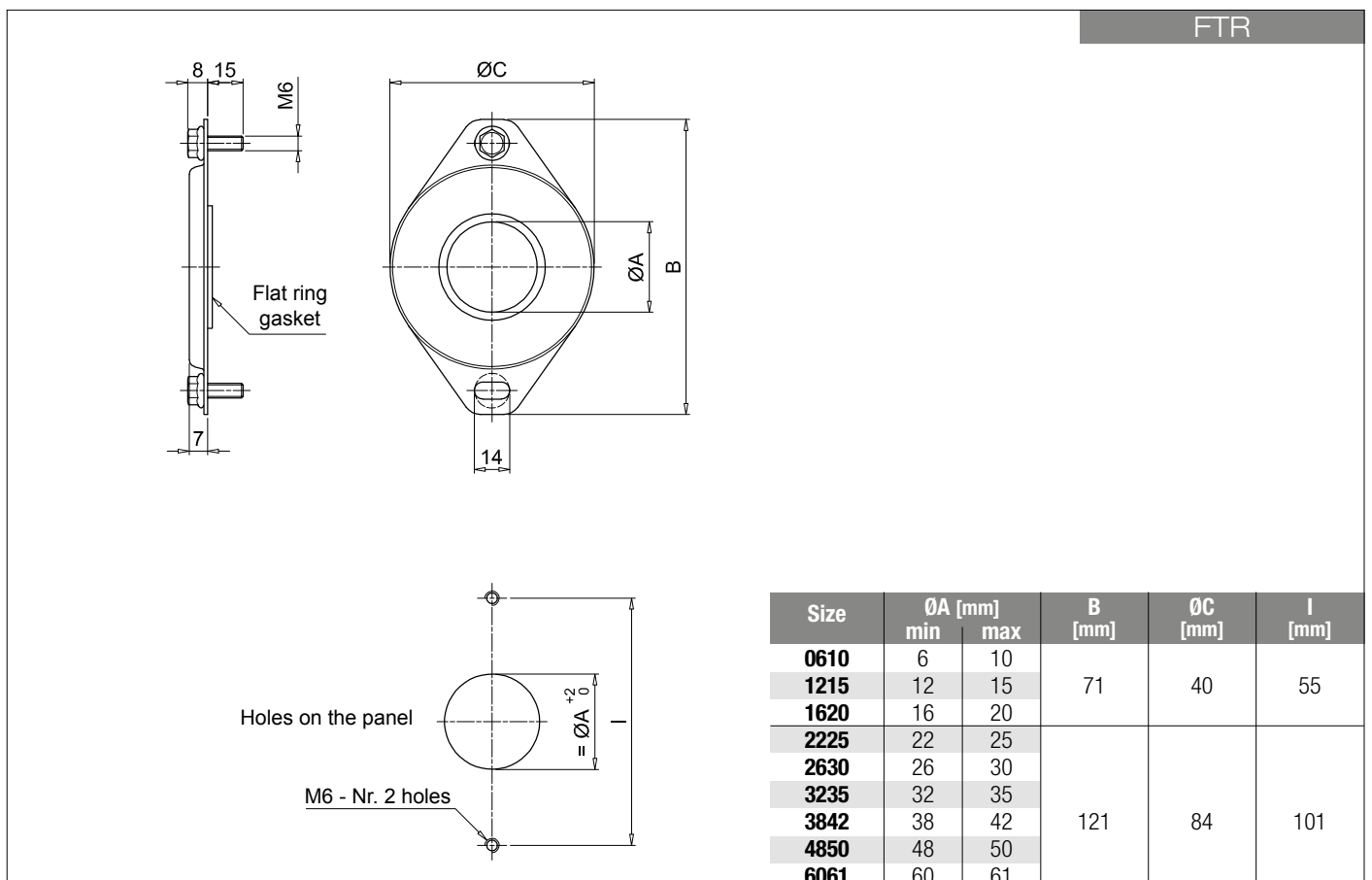
### COMPLETE OIL TANK FIXING FLANGE

Series	Configuration example : FTA 2630 G A P01				
<b>FTA</b>	<b>FTR</b>				
Size	FTA	FTR			
<b>0610</b> Pipe Ø06 ÷ 10 mm	-	•			
<b>1215</b> Pipe Ø12 ÷ 15 mm	•	•			
<b>1620</b> Pipe Ø16 ÷ 20 mm	•	•			
<b>2225</b> Pipe Ø22 ÷ 25 mm	•	•			
<b>2630</b> Pipe Ø26 ÷ 30 mm	•	•			
<b>3235</b> Pipe Ø32 ÷ 35 mm	•	•			
<b>3842</b> Pipe Ø38 ÷ 42 mm	•	•			
<b>4850</b> Pipe Ø48 ÷ 50 mm	•	•			
<b>6061</b> Pipe Ø60 ÷ 61 mm	•	•			
<b>7577</b> Pipe Ø75 ÷ 77 mm	•	-			
<b>8789</b> Pipe Ø87 ÷ 89 mm	•	-			
Flange seals	FTA	FTR			
<b>G</b> Inorganic fiber	•	-			
<b>0</b> Without seal	-	•			
Pipe seals					
<b>A</b> NBR					
Execution					
<b>P01</b> MP Filtri standard					
<b>Pxx</b> Customized					

### FTA



### FTR







# MULTIFIX SFT series

Fixing clamps



## Technical data

### Accessories

#### Fixing clamps

MULTIFIX fixing clamps are particularly suitable when a series of pipelines must be installed requiring neat and high precision installation. These brackets make it possible to install various pipelines of different types and diameters, rapidly, easily, and, more importantly, economically.

MULTIFIX clamps support, guide, and absorb impact and vibration, protecting the pipes and dispensing with the need for complex and unsightly mounting systems with angle clamps etc.

An orderly layout facilitates maintenance resulting in significant savings in running costs; it also allows intuitive visual design of the plant, which can be assembled easily even without specialised labour.

#### Materials

- Pair of brackets: Galvanized steel
- Bush: NBR
- Spacer: Steel
- Studs: Steel
- Screws: Steel
- Foot and screw: Steel

#### Weight

SFT 38 1	0.050 kg
SFT 51 1	0.100 kg
SFT 78 1	0.570 kg

#### Operating temperature

From -25 °C to + 100 °C



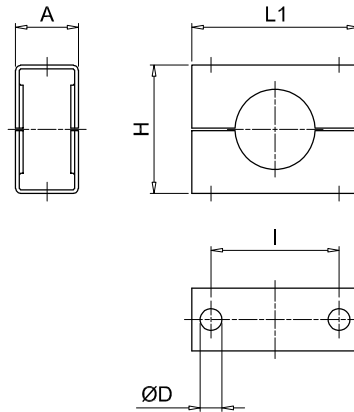
## Designation & Ordering code

### COMPLETE FIXING CLAMP

Serie	Configuration example :			
<b>SFT</b>	SFT	51	19	P01
Size				
<b>38</b>	Height 38 mm - 1 1/2"			
<b>51</b>	Height 51 mm - 2"			
<b>78</b>	Height 78 mm - 3"			
Number of pipe	38	51	78	
<b>1</b>	Single pipe	•	•	•
<b>16</b>	Nr. 16 pipes	-	-	•
<b>19</b>	Nr. 19 pipes	-	•	-
<b>26</b>	Nr. 26 pipes	•	-	-
Execution				
<b>P01</b>	MP Filtri standard			
<b>Pxx</b>	Customized			

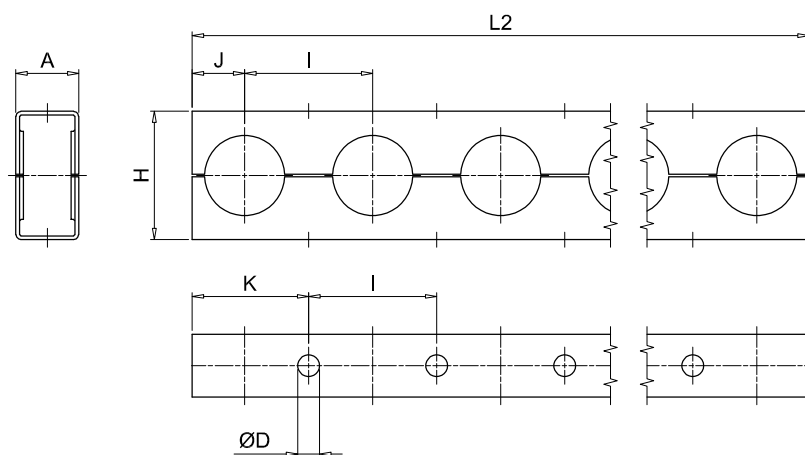
SFT

Single pipe



SFT

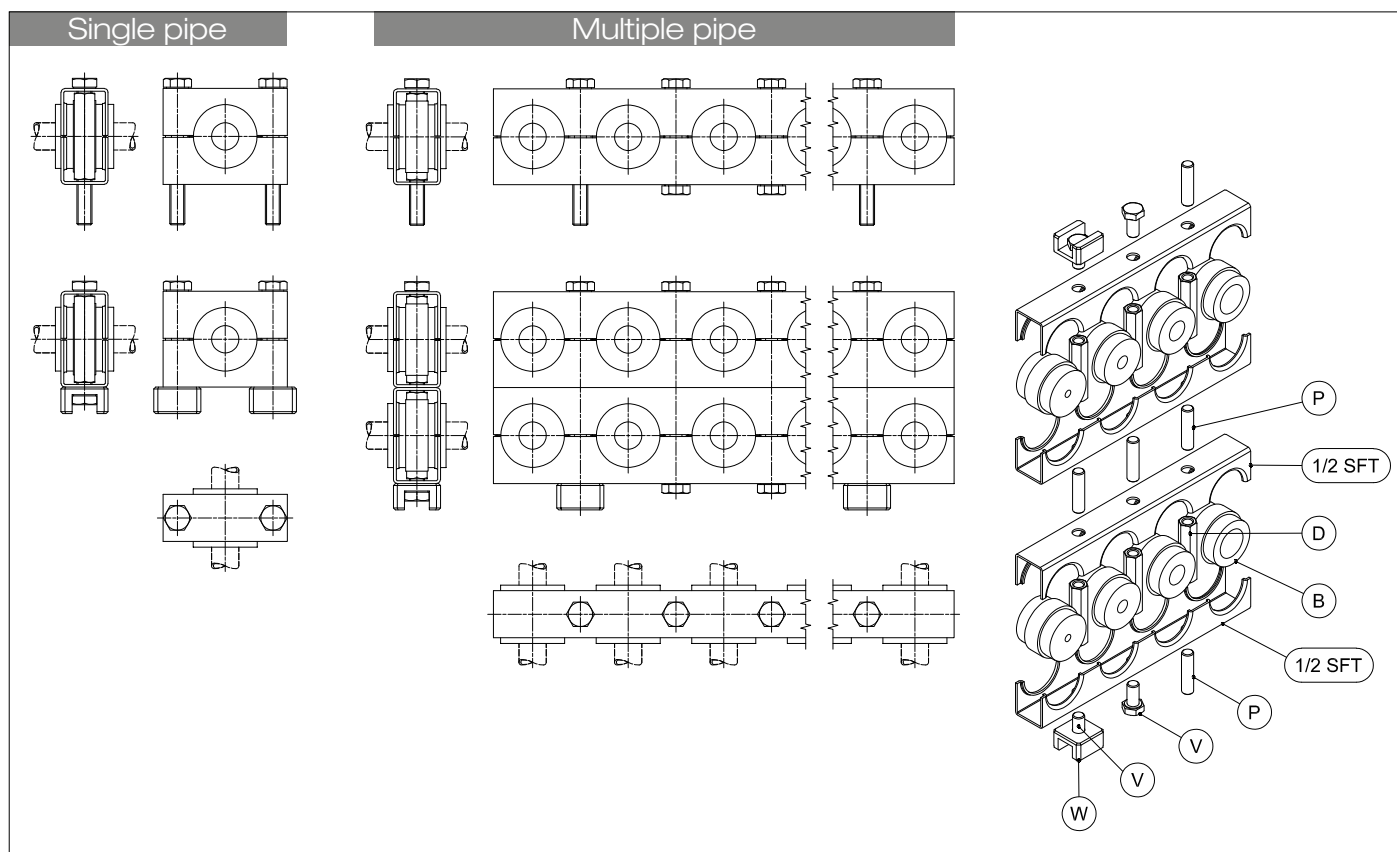
Multiple pipe



Size	A [mm]	ØD [mm]	H [mm]	I [mm]	J [mm]	K [mm]	L1 [mm]	L2 [mm]
<b>38</b>	25	8.7	38	38.1	15	34	56	982
<b>51</b>	25	8.7	51	50.8	21	46	66	956
<b>78</b>	41	11.1	78	76.2	35	73	95	1213

# SFT MULTIFIX

## Assembly



## Designation & Ordering code

## Dimensions

### RUBBER BUSH

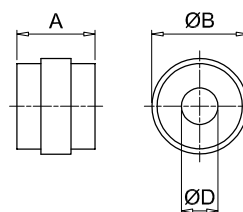
Configuration example: **B** | **51** | **1820**

**Series**  
**B** Rubber bush

**Size**  
**38**  
**51**  
**78**

Pipe diameter	38	51	78
<b>6</b> Pipe Ø6 mm	•	•	
<b>8</b> Pipe Ø8 mm	•	•	•
<b>10</b> Pipe Ø10 mm - 1/8"	•	•	•
<b>1214</b> Pipe Ø12 ÷ 14 mm - 1/4"	•	•	•
<b>1516</b> Pipe Ø15 ÷ 16 mm - 3/8"	•	•	•
<b>1820</b> Pipe Ø18 ÷ 20 mm - 1/2"	•	•	•
<b>22</b> Pipe Ø22 mm - 5/8"		•	•
<b>25</b> Pipe Ø25 mm - 3/4"		•	•
<b>28</b> Pipe Ø28 mm		•	
<b>2830</b> Pipe Ø28 ÷ 30 mm - 7/8"			•
<b>33</b> Pipe Ø33 mm - 1"			•
<b>3538</b> Pipe Ø35 ÷ 38 mm - 1 1/8"			•
<b>42</b> Pipe Ø42 mm - 1 1/4"			•
<b>50</b> Pipe Ø50 mm			•

**B**



Size	A [mm]	ØB [mm]	Pipe diameter	ØD [mm]	Ø nom. pipe [inch]
<b>38</b>	31	25	<b>6</b>	6	-
<b>51</b>	31	38	<b>8</b>	8	-
<b>78</b>	45	59	<b>10</b>	10	1/8"
			<b>1214</b>	12÷14	1/4"
			<b>1516</b>	15÷16	3/8"
			<b>1820</b>	18÷20	1/2"
			<b>22</b>	22	5/8"
			<b>25</b>	25	3/4"
			<b>28</b>	28	-
			<b>2830</b>	28÷30	7/8"
			<b>33</b>	33	1"
			<b>3538</b>	35÷38	1 1/8"
			<b>42</b>	42	1 1/4"
			<b>50</b>	50	-

## HEXAGON CONNECTION NUT D

Configuration example: **D** **51** **M**

Series

**D** Hexagon connection nut

Size

**38**

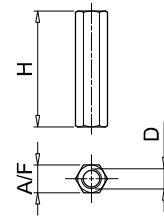
**51**

**78**

Screws

**M** Metric

**U** UNC



Size	Screws [mm]	D [mm]	H [mm]	A/F [mm]
<b>38</b>	M	M8	33	11
	U	5/16" UNC		
<b>51</b>	M	M8	46	11
	U	5/16" UNC		
<b>78</b>	M	M10	72	13
	U	3/8" UNC		

## STUD BOLT P

Configuration example: **P** **3851** **M**

Series

**P** Stud bolt

Size

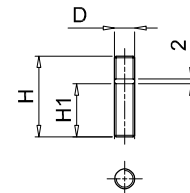
**38 - 51**      •      •

**78**      •

Screws

**M** Metric

**U** UNC



Size	Screws [mm]	D [mm]	H [mm]	H1 [mm]
<b>38 - 51</b>	M	M8	32	21
	U	5/16" UNC		
<b>78</b>	M	M10	38	22
	U	3/8" UNC		

## HEXAGON HEAD SCREW V

Configuration example: **V** **3851** **M**

Series

**V** Hexagon head screw

Size

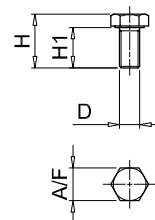
**38 - 51**      •      •

**78**      •

Screws

**M** Metric

**U** UNC



Size	Screws [mm]	D [mm]	H [mm]	H1 [mm]	A/F [mm]
<b>38 - 51</b>	M	M8	21	16	13
	U	5/16" UNC			
<b>78</b>	M	M10	36	30	17
	U	3/8" UNC			

## WELDING FOOT W

Configuration example: **W** **3851**

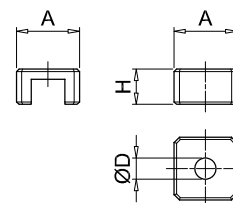
Series

**W** Welding foot

Size

**38 - 51**      •      •

**78**      •



Size	H [mm]	ØD [mm]	H [mm]
<b>38 - 51</b>	25	8.5	14
<b>78</b>	32	11	16











All data, details and words contained in this publication are provided for use by technically qualified personnel at their discretion, without warranty of any kind.

MP Filtri reserves the right to make modifications to the models and versions of the described products at any time for both technical and/or commercial reasons.

For updated information please visit our website: [www.mpfiltri.com](http://www.mpfiltri.com)

The colors and the pictures of the products are purely indicative.

Any reproduction, partial or total, of this document is strictly forbidden.

All rights are strictly reserved



# WORLDWIDE NETWORK

CANADA ♦ CHINA ♦ FRANCE ♦ GERMANY ♦ INDIA ♦ SINGAPORE  
UNITED ARAB EMIRATES ♦ UNITED KINGDOM ♦ USA



PASSION  PERFORM

in   



[mpfiltri.com](http://mpfiltri.com)  
Scan or click me!

MP Filtri reserves the right to make modifications to the models and versions of the described products at any time for both technical and/or commercial reasons.  
For updated information please visit our website: [www.mpfiltri.com](http://www.mpfiltri.com). The colors and the pictures of the products are purely indicative.  
Any reproduction, partial or total, of this document is strictly forbidden. All rights are strictly reserved.

MF00100034  
EN - 2025.02