

AIR BREATHERS & FILLER PLUGS

**TANK
ACCESSORIES**

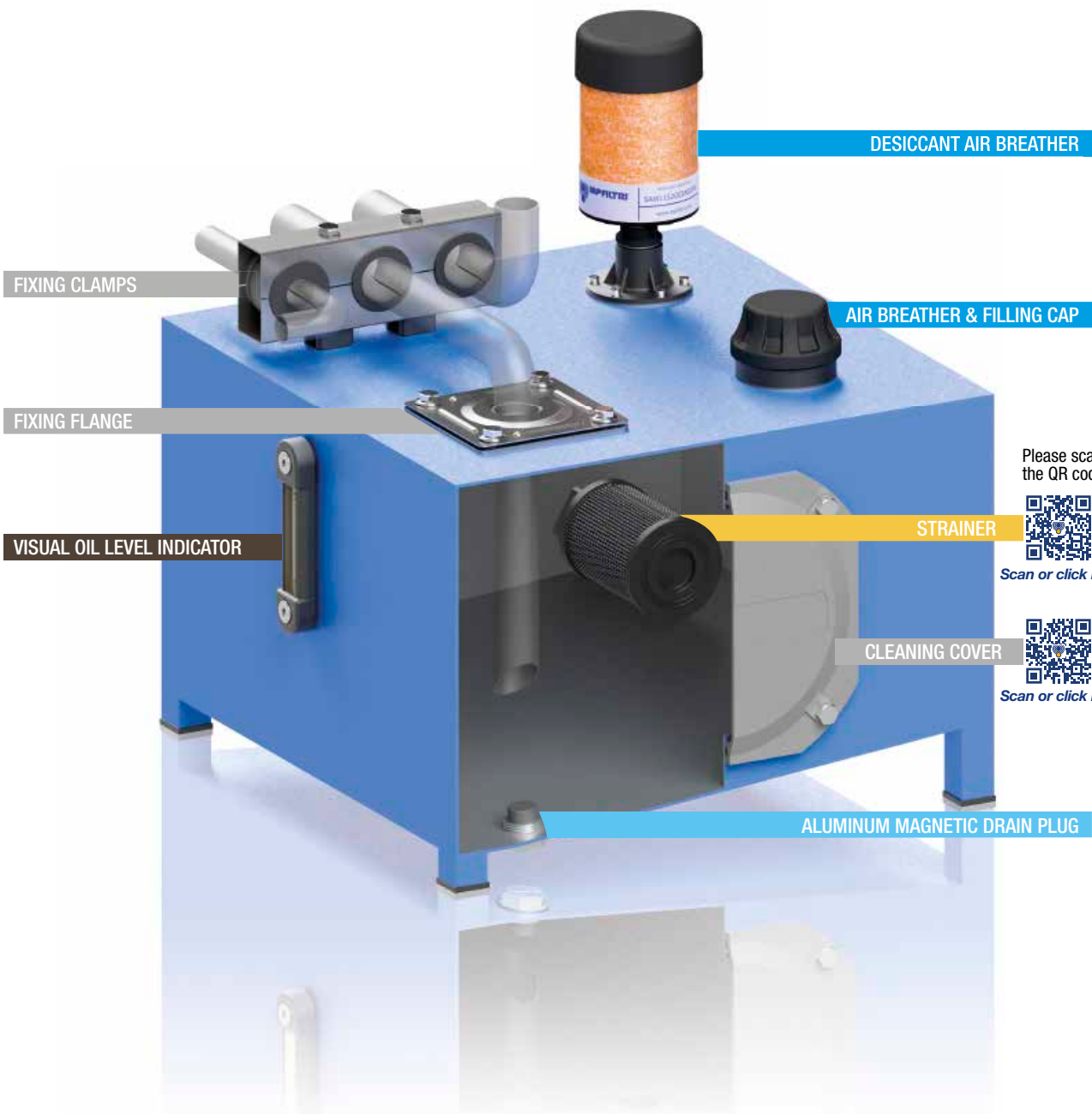
CATALOGUE



PASSION TO PERFORM



TANK ACCESSORIES



Please scan the QR codes:



Suction Filters

Scan or click me!



Power Transmission Accessories

Scan or click me!

1	page	INTRODUCTION
2		INDEX
4		COMPANY PROFILE
8		PRODUCT RANGE

10	page	AIR BREATHERS AND FILLER PLUGS
13	SAP 054-075 - SA	Air breathers
19	SAW 115	Moisture control desiccant air breathers
23	SCS	Metal air breathers with interchangeable filter element
29	SME 1 - SMF 1 - SML 1	Risers for breathers and filler caps installation
35	TA 46 - TAP 50 - SAP 50	Filler plug and air filter up to 200 l/min
43	TA 80	Steel filler plug and air filter up to 500 l/min
47	TAP 90	Filler plug and polyamide air filter up to 550 l/min
53	TAP 114	Filler plug and polyamide air filter up to 1600 l/min
57	TAP 115 & SAP 115	Filler plug and polyamide air filter up to 3000 l/min

62	page	FILLER AND DRAIN PLUGS
65	TC 50	Polyamide filler plug
69	TKT - TSD - TKM	Filler and draining plugs

76	page	VISUAL OIL LEVEL INDICATORS
79	LCP - LCC	Visual oil level indicator - round shape
85	LVA - LVU	Visual oil level indicator - vertical shape

90	page	ELECTRICAL OIL LEVEL INDICATORS
93	LEN - LEG - LET - LEM - LEU	Electric oil level indicator
95	LVK	Visual and Electric oil level indicator

110	page	ACCESSORIES
113	EM1	Pressure gauge isolator
119	SVM	Gauge selector valve
123	FTA - FTR	Oil tank fixing flange
127	MULTIFIT SFT	Fixing clamps

The complete series of air breathers and filler plugs makes it possible to meet all market demands.

Metal and plastic versions suitable for use on mobile and industrial equipment are available.

Filler plugs perform a dual function, air filtration at the tank inlet and prefiltration of the fluid by means of the basket, in order to prevent the ingress of foreign material into the tank during filling and top-up operations.

Correct operation of breather filters makes for longer life of the filter cartridges installed in the hydraulic circuit, and in applications where high level of contamination are present.

Desiccant breathers are also available to absorb free water and moisture contained in the air entering into the tank.

Air Breathers & Filler Plugs



SAP 054-075 - SA	page 13
SAW 115	19
SCS	23
SME 1 - SMF 1 - SML 1	29
TA 46 - TAP 50 - SAP 50	35
TA 80	43
TAP 90	47
TAP 114	53
TAP 115 - SAP 115	57

SAP 054-075 series

Polyamide air breather filter

SA series

Metal air breather filter



SAP 054-075 GENERAL INFORMATION

Technical data

Air breathers & Filler plugs

Polyamide air breather filter Flow rate up to 400 l/min

SAP is a range of plastic air breathers for protection of the tank against the solid contamination contained into the air. They are directly fitted on the tank.

Available features:

- Male threaded connections up to 3/4", for a maximum flow rate of 400 l/min
- Replaceable filter element
- Fine cellulose filtration, to get a good cleanliness level into the reservoir
- Polyester media is an option for heavy environmental conditions (high humidity, sand ...)

Common applications:

- Mobile machines (construction and agriculture machines)
- Industrial equipment

Flow rate Δp 0.02 bar

	Flow rate [l/min]	
	Filtration rating	L03
SAP054	200	250
SAP075	350	400

Materials

- Cover: Polyamide
- Connection: Polyamide
- Filter element: Resin impregnated paper

Temperature

From -25 °C to +100 °C

Weight

SAP 054 - 0.06 kg
SAP 075 - 0.15 kg



Designation & Ordering code

COMPLETE AIR FILTER

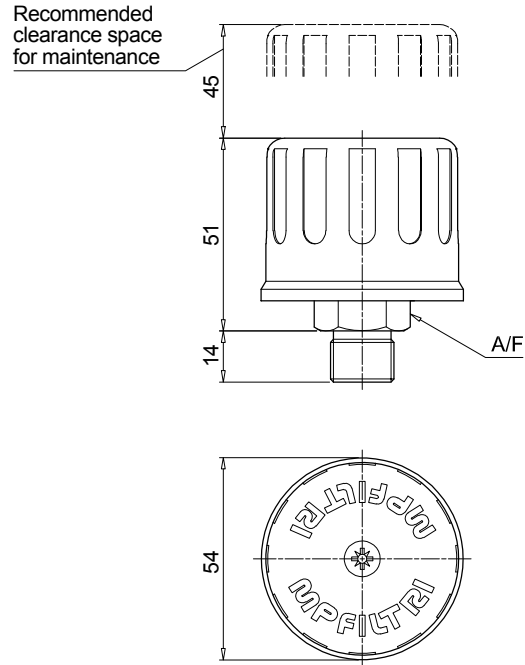
Series and size	Configuration example: SAP054 G2 L10 A P01				
SAP054					
SAP075					
Connections	SAP054	SAP075			
G1	G 3/8"	G 1/2"			
G2	G 1/2"	G 3/4"			
Filtration rating					
L03	Resin impregnated paper	3 µm			
L10	Resin impregnated paper	10 µm			
Seals					
A	NBR				
			Execution		
			P01	MP Filtri standard	
			Pxx	Customized	

FILTER ELEMENT

Filter element series and size	Configuration example: A4 L10 P01			
A4	SAP054			
A7	SAP075			
Filtration rating				
L03	Resin impregnated paper	3 µm		
L10	Resin impregnated paper	10 µm		
			Execution	
			P01	MP Filtri standard
			Pxx	Customized

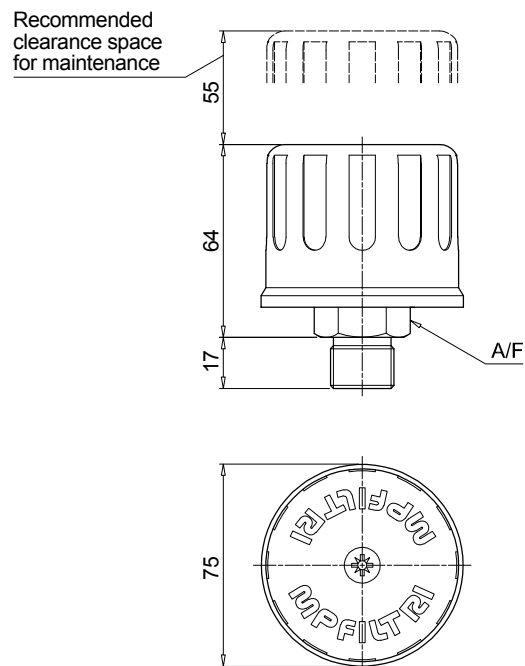
SAP054

Connections	A/F [mm]
G1	22
G2	27



SAP075

Connections	A/F [mm]
G1	27
G2	32



Technical data

Air breathers & Filler plugs

Metal air breather filter Flow rate up to 2500 l/min

SA is a range of metal air breathers for protection of the tank against the solid contamination contained into the air.

They are directly fitted on the tank. The robust design allows the use of these filters in any heavy-duty application.

Available features:

- Male threaded connections up to 2 1/2", for a maximum flow rate of 2500 l/min
- Replaceable filter element
- Fine cellulose filtration, to get a good cleanliness level into the reservoir
- Polyester media is an option for heavy environmental conditions (high humidity, sand ...)

Common applications:

- Mobile machines (construction and agriculture machines)
- Industrial equipment

Flow rate Δp 0.02 bar

	Flow rate [l/min]	
	Filtration rating	L03
SA036	140	140
SA053	250	250
SA075	350	400
SA115	800	850
SA145	1800	1850
SA185	2300	2500

Materials

- Cover: Steel
- Connection: Anodized steel, Galvanized steel
- Filter element: Resin impregnated paper
- Screws: Galvanized steel
- Washer: Teflon
- Ring: Galvanized steel
- Seals: NBR

Temperature

From -25 °C to +100 °C

Weight

SA 036	0.08 kg
SA 053	0.15 kg
SA 075	0.26 kg
SA 115	0.40 kg
SA 145	0.59 kg
SA 185	1.22 kg



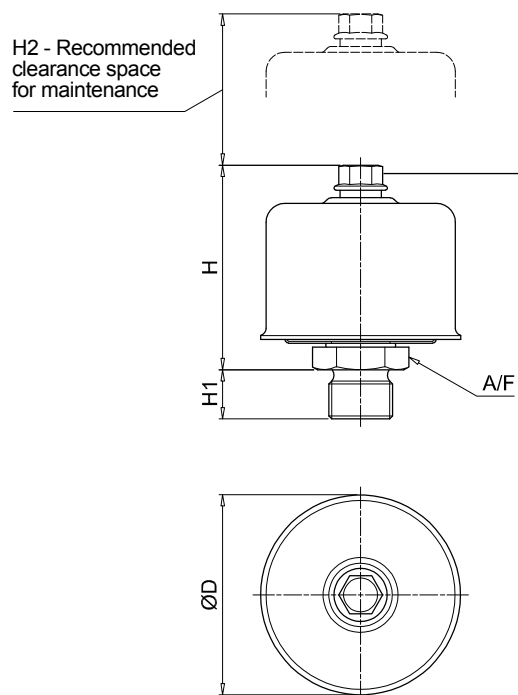
Designation & Ordering code

COMPLETE AIR BREATHER

Series and size	Configuration example: SA115 G1 L10 A P01				
SA036 SA053 SA075 SA115 SA145 SA185					
Connections					
G1 G 1/4" G 1/4" G 1/2" G 1" G 1 1/2" G 2 1/2"					
G2 G 3/8" G 3/8" G 3/4" - - -					
G3 G 1/2" - - - - -					
G4 1/4" NPT 1/4" NPT 1/2" NPT 1" NPT 1 1/2" NPT 2 1/2" NPT					
G5 3/8" NPT 3/8" NPT 3/4" NPT - - -					
G6 1/2" NPT - - - - -					
Filtration rating					
L03 Resin impregnated paper 3 µm					
L10 Resin impregnated paper 10 µm					
S Without filter element					
	Seals	Execution			
	A NBR	P01 MP Filtri standard			
		Pxx Customized			

FILTER ELEMENT

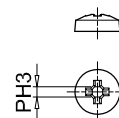
Filter element series and size	Configuration example: A8 L10 P01		
A05 A5 A7 A8 A10 A11			
Filtration rating			
L03 Resin impregnated paper 3 µm			
L10 Resin impregnated paper 10 µm			
	Execution		
	P01 MP Filtri standard		
	Pxx Customized		



Type of bolt/nut

Phillips:

SA036



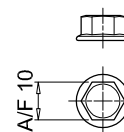
Hexagonal:

SA053

SA075

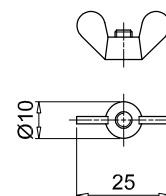
SA115

SA145



Wings:

SA185



Type	Connections	ØD [mm]	H [mm]	H1 [mm]	H2 [mm]	A/F [mm]
036	G1 ÷ G6	36	37	13	30	22
053	G1-G2-G4-G5	53	53	13	50	22
075	G1	75	69	13	60	27
	G2			17		32
	G4			15		27
	G5			20		32
115	G1 - G4	115	80	17	70	38
145	G1 - G4	145	115	25	100	55
185	G1 - G4	185	164	25	150	90

SAW 115 series

Moisture control desiccant air breathers



SAW 115 GENERAL INFORMATION

Technical data

Air breathers & Filler plugs

Moisture control desiccant air breathers

Max air flow up to 453 l/min

SAW is a range of desiccant breathers; they are products that combine the filtration of the solid contamination and the absorption of the free water contained into the air.

They are directly fitted on the tank; the filter layers remove the solid contamination while the desiccant agent holds the moisture contained in the air that enters into the tank as result of the tank breathing.

While in service or during shut-down, the desiccant agent dries the equipment, absorbing moisture from the reservoir.

Available features:

- Male threaded connections up to 1", for a maximum flow rate of 453 l/min
- Fine filtration rating, to get a good cleanliness level into the reservoir
- Check valves, to extend the dryer agent lifetime.

Common applications:

Hydraulic systems, oil storage, tanks, transformers, renewable energy, Gearboxes.

Chemical Compatibility

Recommended:	Not Recommended:
- All Gear Oil	- Phosphate Ester
- Most Hydraulic Fluid	- Hydrogen Sulphide
- Mineral and Synthetic Oil	- Sulphuric Acid
	- High Alkaline Cleaner

Flow rate Δp 0.02 bar

	Flow rate [l/min]
Filtration rating	03
SAW115	453

Materials

Connection: Polyamide
Internal Support Pipe: Polyamide
Screen: Polycarbonate
Cover: Polyamide
Dryer Agent: Silica Gel

Filter Efficiency 3 μ m absolute ($B_3 \geq 200$)

Seals NBR

Temperature From -25 °C to +90 °C

Humidity Level Below Ambient Conditions

SAW115G03A00P01: protects 30.000 + cycles

Deliquescent: Protects 5.000 cycles
(Testing parameters 23°C, 30 l/min)

Silica Gel Weight

Length 1 0.32 kg
Length 2 0.56 kg
Length 3 0.84 kg

Total Weight

Length 1 0.60 kg
Length 2 0.90 kg
Length 3 1.20 kg



Designation & Ordering code

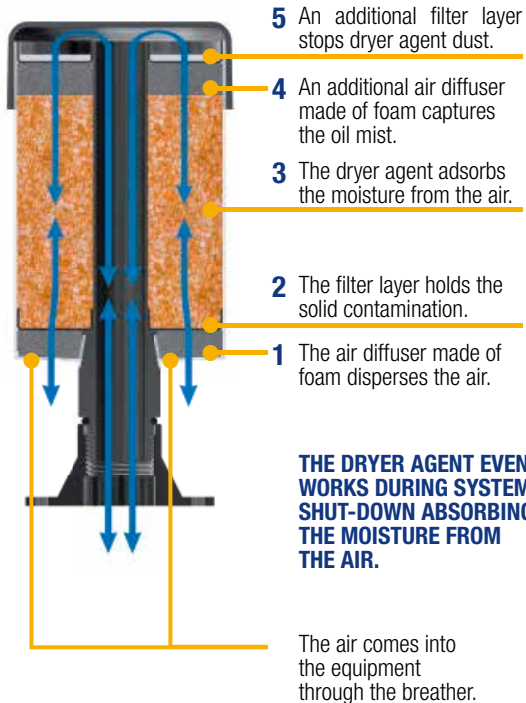
COMPLETE AIR FILTER

Serie	Configuration example:	SAW115	1	G	03	A	0	0	P01
SAW115									
Length			1 2 3						
Connections				G					
				1" Multi-fit (NPT, BSPT, NPSM)					
Filtration rating					03				
					Inorganic microfiber 3 μ m				
Seals						A			
						NBR			
Valve							0		
							Without valve		
							1		
							With check valves		
Option								0	
								Standard	
Execution									P01
									MP Filtri standard
									Pxx
									Customized

ACCESSORIES

Serie	Configuration example:	SMG1	S	A	P02
SMG1		Flanged adapter			
Connections					
		S			
		Without screws			
Seals				A	
				NBR	
Execution					P02
					MP Filtri standard

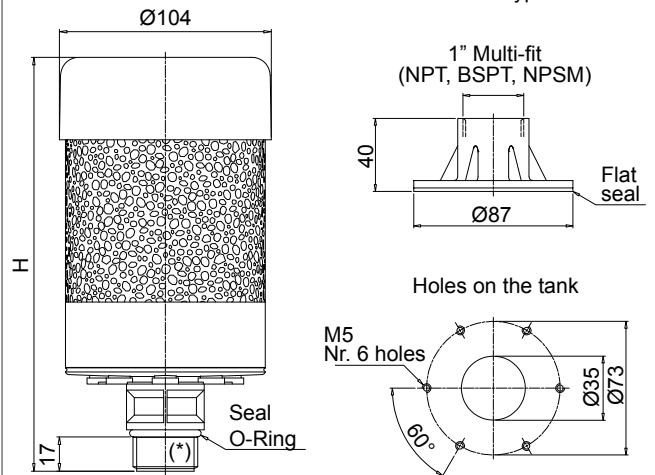
How does SAW Series works



SAW115

Length	H [mm]
1	154
2	205
3	256

Optional 6-hole tank flange SMG1 type



(*) 1" Multi-fit (NPT, BSPT, NPSM)

Silica gel

Active breather



Depleted breather



Silica gel is the most efficient and economic moisture adsorbent for general applications.

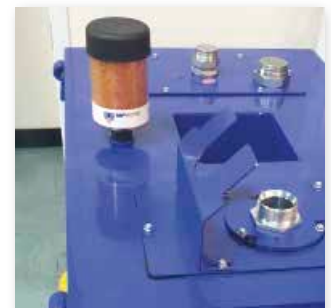
A white breather means the unit has done its job keeping moisture out of your lubricants.

Whenever the colour changes from orange to white it's time to replace the breather with a new one.

All breathers should be changed at least once a year.

IMPORTANT

Dispose of the exhausted silica gel according to the regulations in force in the country of use.



Air vent holes

Max hydraulic flow rate [l/min (cfm)]	Holes to open
up to 110 (4)	2
from 111 to 220 (4-8)	4
from 221 to 330 (8-12)	6
from 331 to 452 (12-16)	8

IMPORTANT INSTALLATION INFORMATION

- The air vent holes are plugged for any new breather
- The plugs protect the dryer agent during storage and shipment
- The plugs must be taken out during the installation, according to the max hydraulic flow rate



SCS series

Metal air breathers with interchangeable filter element



Technical data

Air breathers & Filter plugs

Metal air breathers with interchangeable filter element Flow rate up to 1330 l/min

SCS is a range of air breathers for protection of the tank against the solid contamination contained into the air.

They are composed of a spin-on filter can screwed on a connection tube, directly fitted on the tank. They are directly fitted on the tank.

Available features:

- Weld or flanged connection, for a maximum flow rate of 1415 l/min
- Fine cellulose and microfibre filtration, to get a good cleanliness level into the reservoir

Common applications:

- Mobile machines (construction and agriculture machines)
- Industrial equipment

Flow rate Δp 0.02 bar

	Flow rate [l/min]			
	Filtration rating	P10	A03	A10
SCS050	550	515	530	
SCS070	550	515	530	
SCS100	1415	1300	1330	
SCS150	1415	1300	1330	

Materials

Riser: Galvanized steel

Temperature

From -25 °C to +100 °C

Weight

SCS050...G1	0.200 kg
SCS050...G2	0.265 kg
SCS100...G1	0.450 kg
SCS100...G2	0.645 kg

CS/CG050	0.73 kg
CS/CG070	0.95 kg
CS100	1.3 kg
CS150	1.6 kg
CG100	1.3 kg
CG150	1.6 kg



Designation & Ordering code

COMPLETE AIR FILTER

Series and size				Configuration example 1: SCS050 C G2 V P01						
SCS050	SCS070	SCS100	SCS150	Configuration example 2: SCS150 C G2 A10 V P01						
Connections										
C	Weld riser									
F	Screwed flange									
Threaded connection		SCS050 - 070		SCS100 - 150						
G1	ISO 228	G 3/4"	G 1 1/4"							
G2	U.S. standard	1" - 12 UNF	1 1/2" - 16 UN							
Filtration rating		Size:	050	070	100	150				
Without filter element			•	-	•	-				
A03	Inorganic microfibre	3 µm	•	•	•	•				
A10	Inorganic microfibre	10 µm	•	•	•	•				
P10	Resin impregnated paper	10 µm	•	•	•	•				
Seals								Execution		
A	NBR							P01	MP Filtri standard	
V	FPM							Pxx	Customized	

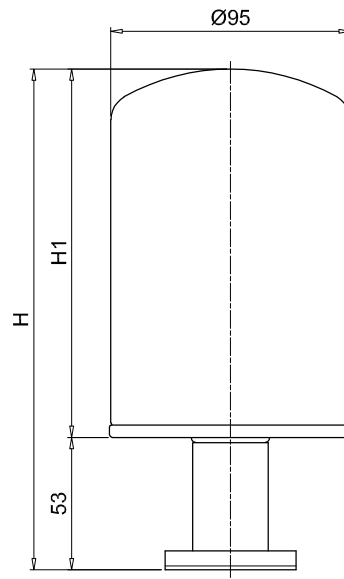
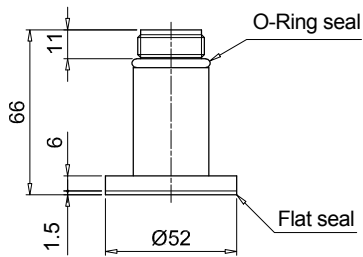
FILTER ELEMENT

Filter element series		Threaded connection:		Configuration example: CG 150 A10 V P01					
CS	Connection ISO 228	G1	G2						
CG	Connection U.S. standard								
Filter element size									
050	070	100	150						
Filtration rating									
A03	Inorganic microfibre	3 µm							
A10	Inorganic microfibre	10 µm							
P10	Resin impregnated paper	10 µm							
Seals								Execution	
A	NBR							P01	MP Filtri standard
V	FPM							Pxx	Customized

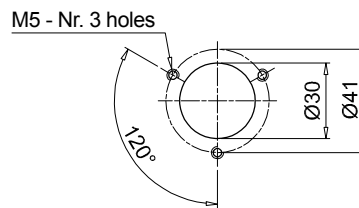
SCS050-070

Screwed flange

Size	H [mm]	H1 [mm]
050	199	146
070	263	210



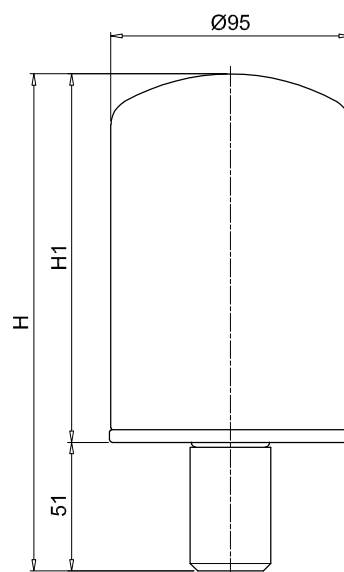
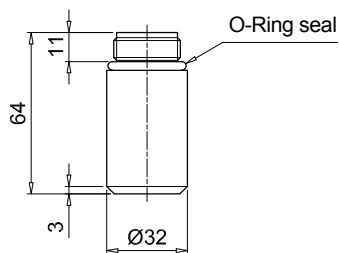
Holes on the tank



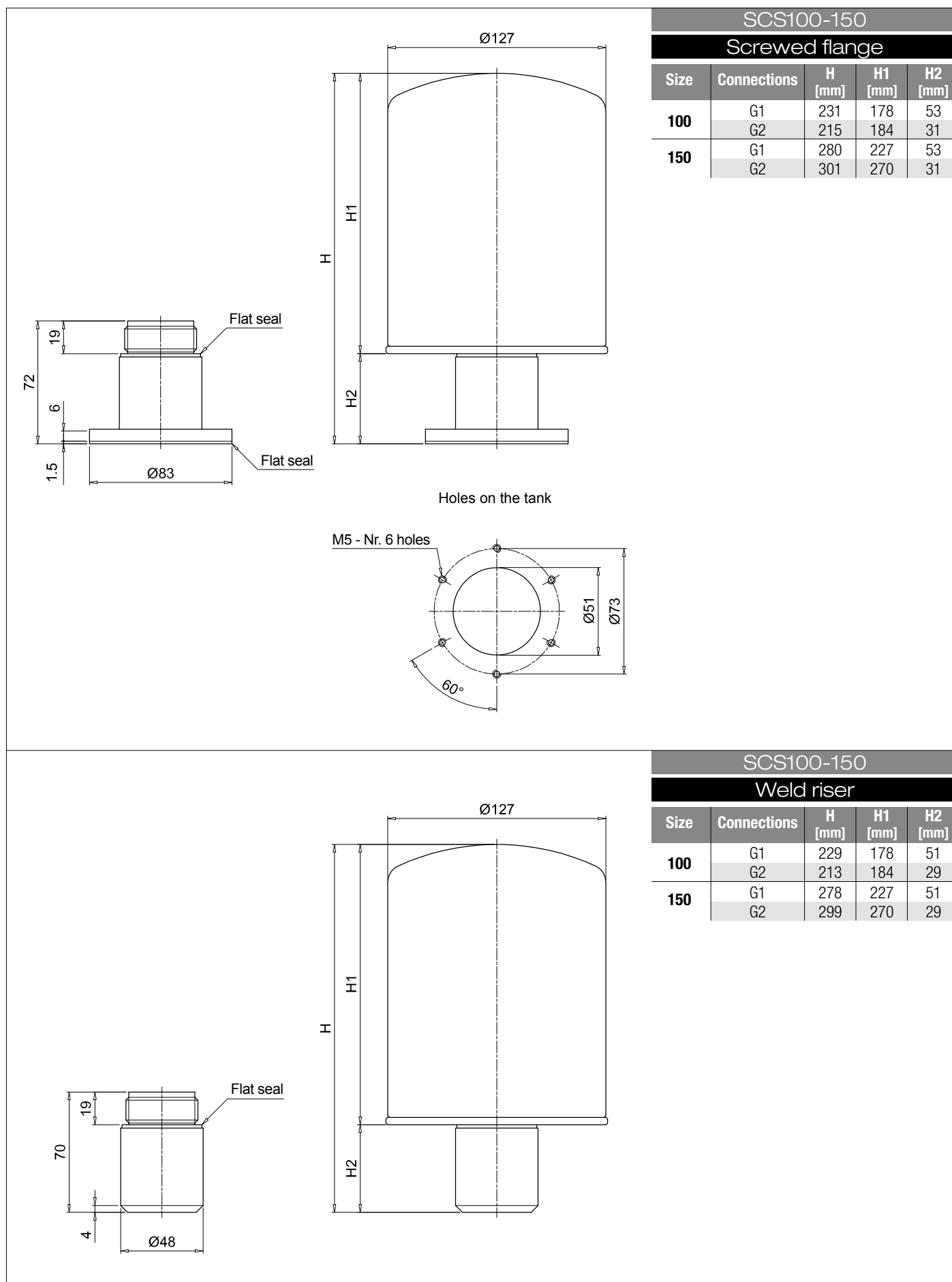
SCS050-070

Weld riser

Size	H [mm]	H1 [mm]
050	197	146
070	261	210



Dimensions





SME 1 - SMF 1 - SML 1 series

Risers for breathers and filler caps installation



Technical data

Air breathers & Filler plugs

Risers for breathers and filler caps installation

SME/SMF/SML are ranges of risers for installation of the breathers and filler caps in any place on the tank. They make the maintenance operation easy and fast.

Available features:

- SME: vertical riser made of polyamide for polyamide tanks, mainly used in the mobile machines
- SMF: sloping riser made of polyamide for polyamide tanks, mainly used in the mobile machines
- SML: sloping riser made of aluminum for metal tanks, mainly used in the industrial equipment and heavy-duty applications

Materials SME

- Body: Polyamide
- Seals: NBR
- Screws: Galvanized steel

Materials SMF

- Body: Polyamide
- Seals: NBR
- Screws: Galvanized steel

Materials SML

- Body: Aluminium
- Seals: NBR
- Screws: Galvanized steel

Temperature

From -25 °C to +100 °C

Weight

SME	0.250 kg
SMF	0.325 kg
SML	0.380 kg

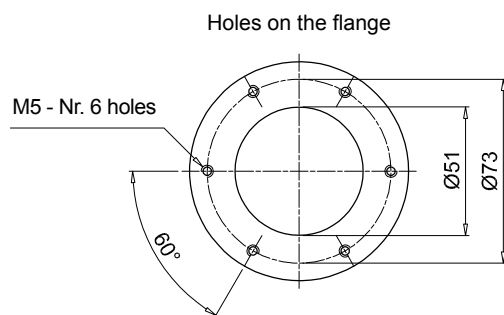
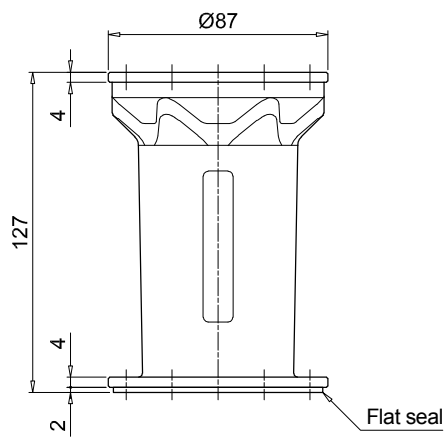
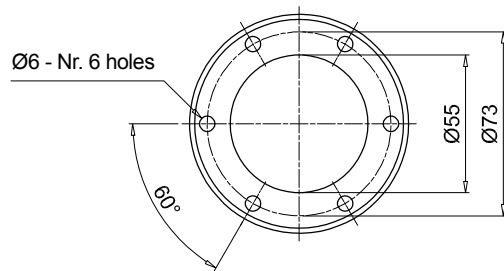


Designation & Ordering code

COMPLETE ADAPTER

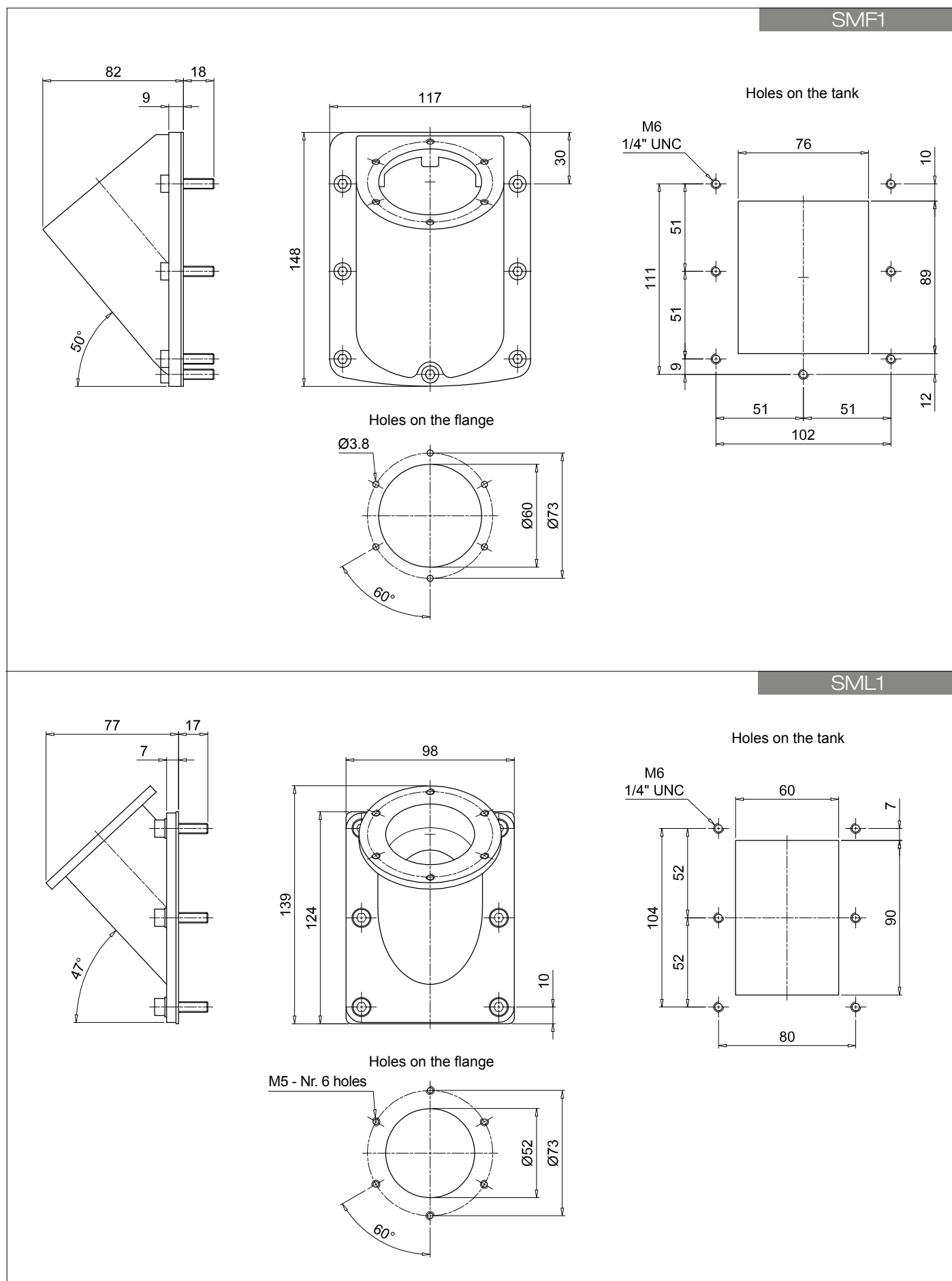
Series				Configuration example: SMF1 M A PO1			
SME1	Polyamide vertical riser						
SMF1	Polyamide sloping riser						
SML1	Aluminium sloping riser						
Connections							
M	Metric screws						
U	UNC screws						
Seals							
A	NBR						
Execution		Series					
		SME1	SMF1	SML1			
P01	MP Filtri standard	-	•	•			
P02	Standard without logo	•	-	-			

SME1



SME 1-SMF 1-SML 1

Dimensions



TA 46 TAP 50 SAP 50 series

Steel filler plug
and air filter

Polyamide
filler plug

Polyamide
air filter



Technical data

Air breathers & Filler plugs

Steel filler plug and air filter Flow rates up to 200 l/min

TA46 is a range of compact metal air breathers and filler caps for protection of the tank against the solid contamination contained into the air and filling of the fluid into the systems during the commissioning and maintenance procedures. They are directly fitted on the tank. The robust design allows the use of these filters in any heavy-duty application.

Available features:

- Male threaded connections up to 1/4" and flanged connection with bayonet, for a maximum flow rate of 200 l/min
- Fine cellulose filtration, to get a good cleanliness level into the reservoir
- Filling basket, to hold the coarse contamination contained into the fluid and to diffuse the fluid flow into the tank

Common applications:

- Compact hydraulic systems
- Compact mobile machines
- Industrial equipment

Flow rate Δp 0.02 bar

TA46	Flow rate [l/min]	
	Filtration rating 03	10
	150	200

Materials (version G/N)

- Cover: Chrome plated steel
- Filter element: Resin impregnated paper, Polyurethane
- Flange: Galvanized steel
- Connection: Phosphatized steel

Materials (version B)

- Cover: Chrome plated steel
- Filter element: Resin impregnated paper, Polyurethane
- Flange: Galvanized steel
- Connection: Galvanized steel
- Seals: NBR
- Chain: Brass
- Screws: Galvanized steel
- Basket: Galvanized steel

Temperature

From -25 °C to +100 °C

Weight

TA 46 B 0.10 kg
TA 46 G/N 0.11 kg



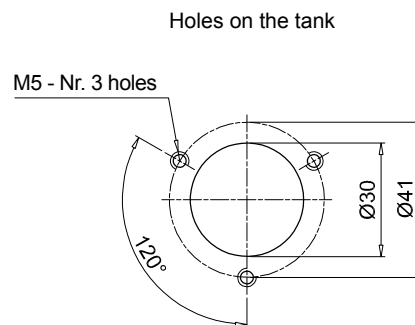
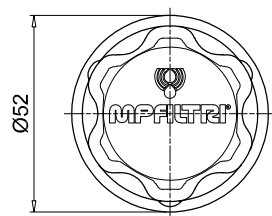
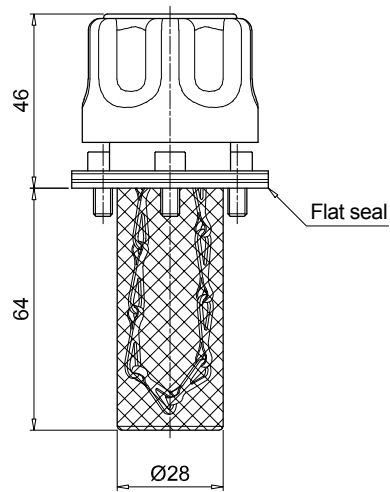
Designation & Ordering code

COMPLETE FILLER PLUG

Serie TA46	Configuration example 1:	TA46	B	03	A	0	0	1	P01
	Configuration example 2:	TA46	G	10					P01
Connections									
B	Screwed flange with bayonet mount								
G	G 1/4"								
N	1/4" NPT								
Filtration rating									
03	Resin impregnated paper	3 μ m							
10	Polyurethane	10 μ m							
Seals									
A	NBR	Connection:	B	G	N				
			•	-	-				
Valve									
0	Without valve	Connection:	B	G	N				
			•	-	-				
Version									
0	Standard	Connection:	B	G	N				
			•	-	-				
Basket									
1	With basket	Connection:	B	G	N				
			•	-	-				
Execution									
	P01	MP Filtri standard							
	Pxx	Customized							

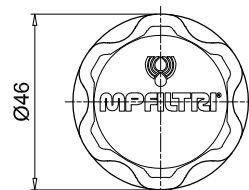
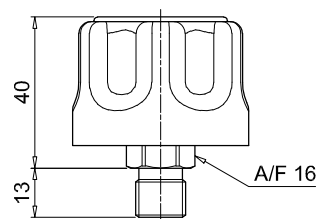
TA46

Screwed flange



TA46

Threaded connection



TAP 50 GENERAL INFORMATION

Technical data

Air breathers & Filler plugs

Filler plug and polyamide air filters Flow rates up to 200 l/min

TAP50 is a range of compact plastic air breathers and filler caps for protection of the tank against the solid contamination contained into the air and filling of the fluid into the systems during the commissioning and maintenance procedures.

Available features:

- Flanged connection with bayonet, for a maximum flow rate of 200 l/min
- Fine cellulose filtration, to get a good cleanliness level into the reservoir
- Filling basket, to hold the coarse contamination contained into the fluid and to diffuse the fluid flow into the tank
- Pressurization valve, to guarantee a positive pressure into the tank

Common applications:

- Compact hydraulic systems
- Compact mobile machines
- Industrial equipment

Flow rate Δp 0.02 bar

	Flow rate [l/min]	
	Filtration rating	03
TAP50	180	202

Materials

- Cover/ringnut: Polyamide
- Filter element: Resin impregnated paper, Polyurethane
- Pressurization valve: Polyamide, Galvanized steel, NBR
- Seals: NBR
- Flange: Polyamide
- Screws: Galvanized steel
- Basket: Polyamide

Temperature

From -25 °C to +100 °C

Weight

TAP 50 0.60 kg

Quantity

10 pcs/pack



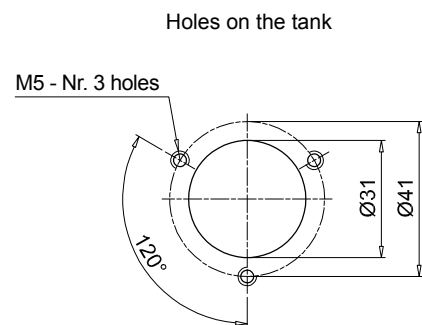
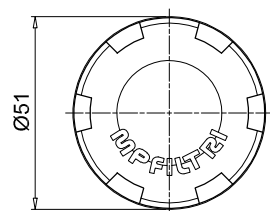
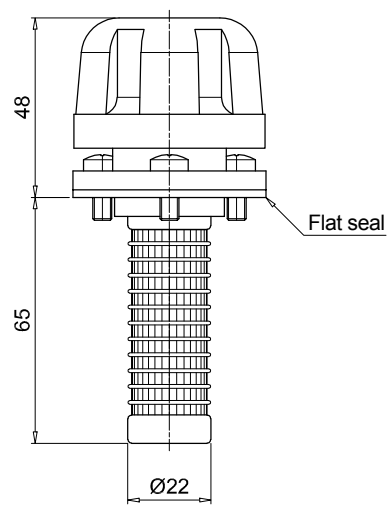
Designation & Ordering code

COMPLETE FILLER PLUG

Serie	Configuration example:	TAP50	C	03	A	1	1	P01
TAP50								
Connections								
C	Screwed flange with G 3/4" mount							
Filtration rating								
03	Resin impregnated paper 3 µm							
10	Polyurethane 10 µm							
Seals								
A	NBR							
Valve								
0	Without valve							
1	0.5 bar pressurization valve							
Basket								
1	With basket							
Execution								
P01	MP Filtri standard							
Pxx	Customized							

TAP50

Screwed flange



SAP 50 GENERAL INFORMATION

Technical data

Air breathers & Filler plugs

Air breathers

Flow rates up to 200 l/min

SAP50 is a range of compact plastic air breathers for protection of the tank against the solid contamination contained into the air. They are directly fitted on the tank.

Available features:

- Male threaded connections up to 3/4", for a maximum flow rate of 200 l/min
- Fine cellulose filtration, to get a good cleanliness level into the reservoir
- Pressurization valve, to guarantee a positive pressure into the tank

Common applications:

- Compact hydraulic systems
- Compact mobile machines
- Industrial equipment

Flow rate Δp 0.02 bar

	Flow rate [l/min]	
	Filtration rating	03
SAP50	180	204

Materials

- Cover/Connection: Polyamide
- Filter element: Resin impregnated paper, Polyurethane
- Pressurization valve: Polyamide, Galvanized steel, NBR
- Seals: NBR

Temperature

From -25 °C to +100 °C

Weight

SAP 50 0.40 kg

Quantity

10 pcs/pack

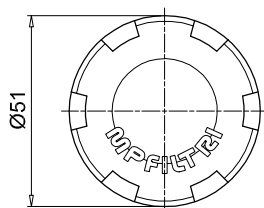
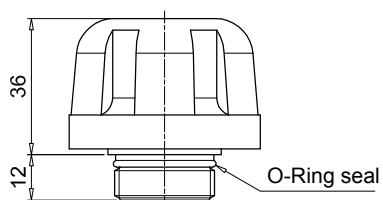


Designation & Ordering code

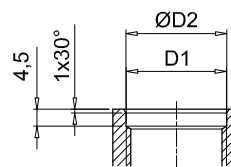
COMPLETE AIR FILTER

Serie	Configuration example:							
SAP50	SAP50	G3	L03	A	1	0	P01	
Connections								
G2	G 3/8"							
G3	G 1/2"							
G4	G 3/4"							
Filtration rating								
L03	Resin impregnated paper	3 μ m						
L10	Polyurethane	10 μ m						
Seals								
A	NBR							
Valve								
0	Without valve							
1	0.5 bar pressurization valve							
Basket								
0	Without basket							
Execution								
P01	MP Filtri standard							
Pxx	Customized							

SAP50		
Threaded connection		
Connections	D1 [mm]	ØD2 [mm]
G2	G 3/8"	17
G3	G 1/2"	21.5
G4	G 3/4"	26.7



Housing on the tank



TA 80 series

Steel filler plug and air filter up to 550 l/min



TA 80 GENERAL INFORMATION

Technical data

Air breathers & Filler plugs

Steel filler plug and air filter Flow rates up to 550 l/min

TA80 is a range of metal air breathers and filler caps for protection of the tank against the solid contamination contained into the air and filling of the fluid into the systems during the commissioning and maintenance procedures.

They are directly fitted on the tank. The robust design allows the use of these filters in any heavy-duty application.

Available features:

- Male threaded connections up to 3/4" and flanged connection with bayonet, for a maximum flow rate of 550 l/min
- Fine cellulose filtration, to get a good cleanliness level into the reservoir
- Pressurization valve with different setting, to guarantee a positive pressure into the tank in any application with metal or plastic tanks
- Padlock tab, to secure the air breather to the tank
- Filling basket, to hold the coarse contamination contained into the fluid and to diffuse the fluid flow into the tank
- Anti-splash, to avoid fluid coming out through the air breather due to sloshing

Common applications:

- Hydraulic systems
- Mobile machines
- Industrial equipment

Flow rate Δp 0.02 bar

TA80	Flow rate [l/min]	
	Filtration rating 03	10
	450	550

Materials

- Cover: Chrome Plated steel
- Filter element: Resin impregnated paper, Polyurethane
- Pressurization valve: Polyamide (bodies), Galvanized steel (end cap - disk), Steel (spring), NBR (seals)
- Flange and anti-splash feature: Galvanized steel
- Seals: NBR
- Screws, Flange: Galvanized steel
- Chain, Ring: Brass
- Basket (only TA80B): Galvanized steel

Temperature

From -25 °C to +100 °C

Weight

L 80 mm 0.33 kg
L 100 mm 0.35 kg

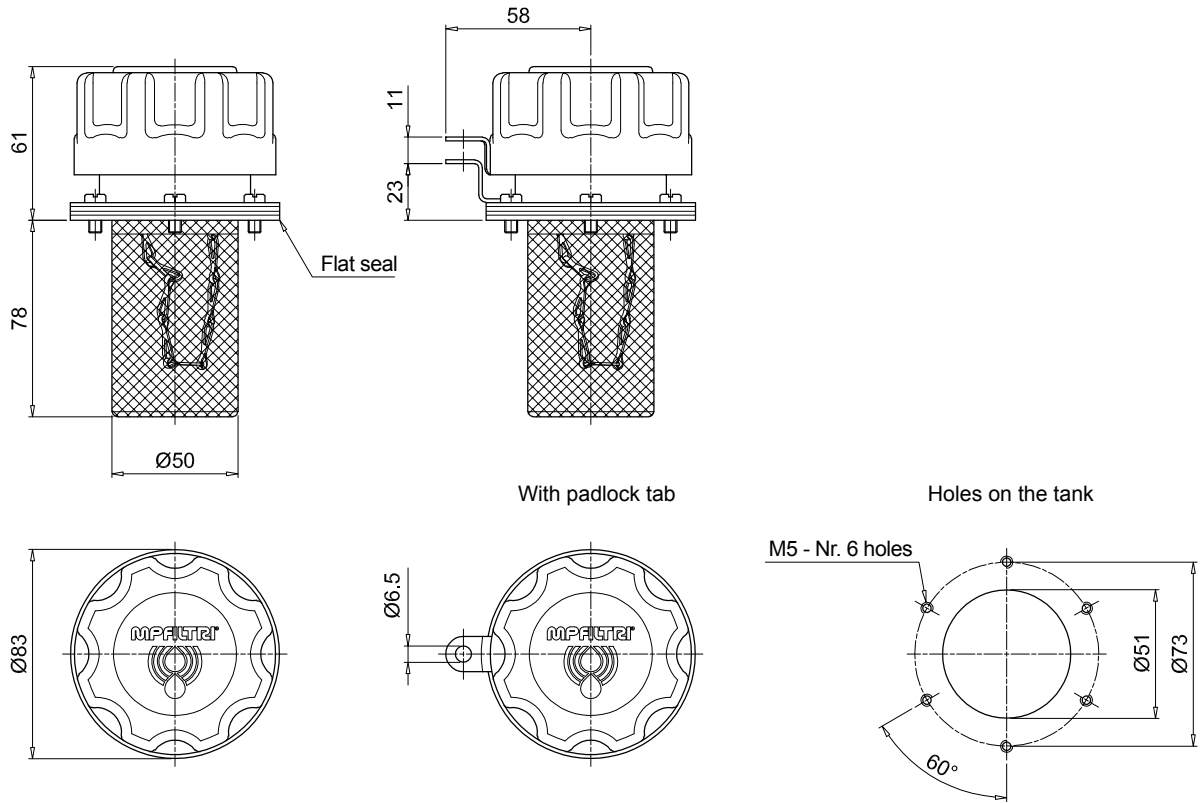


Designation & Ordering code

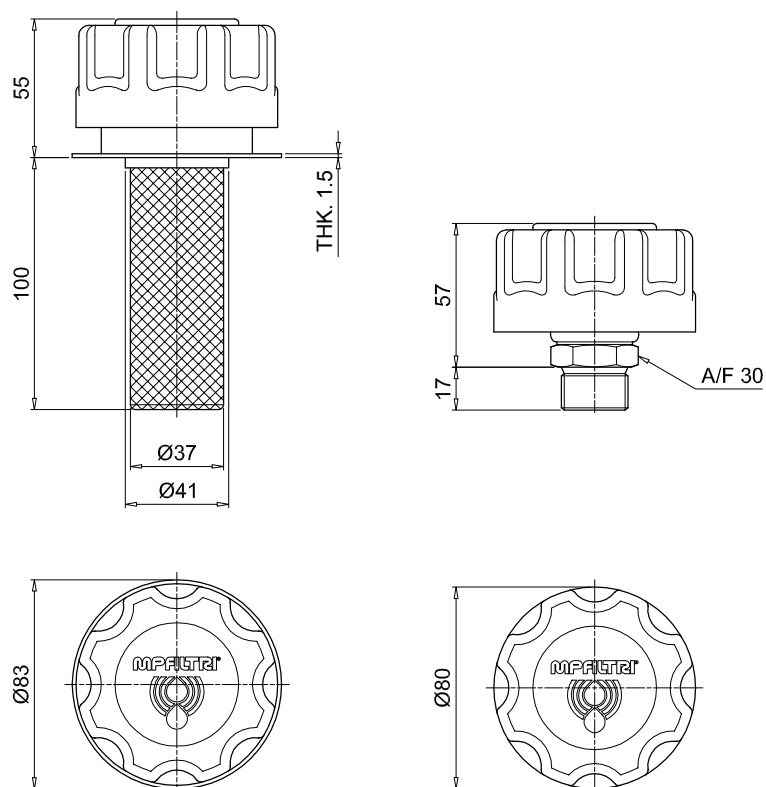
COMPLETE FILLER PLUG / COMPLETE AIR FILTER

Serie	Configuration example 1:										
TA80	TA80	B	03	A	0	L	1	P01			
	Configuration example 2:										
	TA80	G	10	A	2					P01	
Connections											
B	Screwed flange with bayonet mount	G	G 3/4"								
D	Weld flange with bayonet mount	N	3/4" NPT								
Filtration rating	Connection:	B	D	G	N						
00	Without filter (blind filler plug)	•	•	-	-						
03	Resin impregnated paper 3 µm	•	•	•	•						
10	Polyurethane 10 µm	•	•	•	•						
Seals											
A	NBR										
Valve	Filtration rating:	00	03	10							
0	Without valve	•	•	•							
1	0.3 bar pressurization valve	-	•	•							
2	0.7 bar pressurization valve	-	•	•							
9	With anti-splash feature	-	•	•							
Version	Connection:	B	D	G	N						
0	Standard	•	•	-	-						
L	With padlock tab	•	-	-	-						
Basket	Connection:	B	D	G	N						
0	Without basket	•	•	-	-						
1	With basket 80 mm	•	-	-	-						
3	With basket 100 mm	-	•	-	-						
Execution											
P01	MP Filtri standard										
Pxx	Customized										

TA80
Screwed flange



TA80
Weld flange
Threaded connection



TAP 90 series

Filler plug and polyamide air filter up to 550 l/min



TAP 90 GENERAL INFORMATION

Technical data

Air breathers & Filler plugs

Filler plug and polyamide air filters Flow rates up to 550 l/min

TAP90 is a range of plastic air breathers and filler caps for protection of the tank against the solid contamination contained into the air and filling of the fluid into the systems during the commissioning and maintenance procedures.

They are directly fitted on the tank.

Available features:

- Male threaded connections up to 1 1/2" and flanged connection with bayonet, for a maximum flow rate of 550 l/min
- Fine cellulose filtration, to get a good cleanliness level into the reservoir
- Pressurization valve with different setting, to guarantee a positive pressure into the tank in any application with metal or plastic tanks
- Padlock tab, to secure the air breather to the tank
- Filling basket, to hold the coarse contamination contained into the fluid and to diffuse the fluid flow into the tank
- Dipstick, to monitor the fluid level into the tank even in complicated positions

Common applications:

- Hydraulic systems
- Mobile machines
- Industrial equipment

Flow rate Δp 0.02 bar

TAP90	Flow rate [l/min]	
	Filtration rating 03	10
	450	550

Materials

- Cover/Ringnut: Polyamide
- Filter element: Resin impregnated paper, Polyurethane
- Pressurization valve: Polyamide (bodies), Galvanized steel (end cap - disk), NBR (seals)
- Flange B: Polyamide
- Seals: NBR
- Screws: Galvanized steel
- Padlock tab: Galvanized steel
- Chain, Ring: Brass
- Dipstick: Phosphatized steel
- Basket: Galvanized steel, Polyamide

Temperature

From -25 °C to +100 °C

Weight

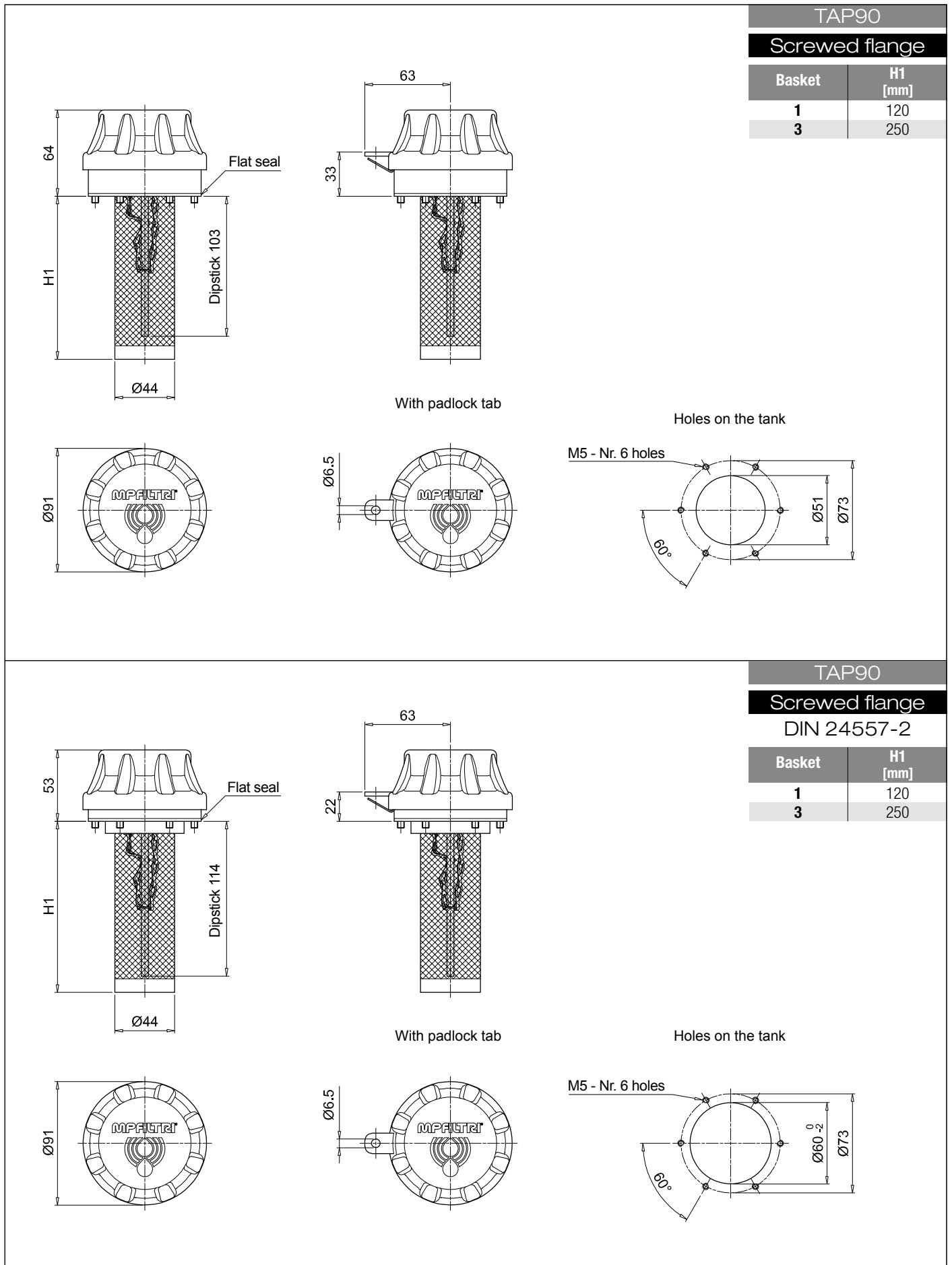
L 120 mm 0.25 kg
L 250 mm 0.31 kg



Designation & Ordering code

COMPLETE BREATHER PLUG

Serie	Configuration example 1:										
TAP90	TAP90	R	03	A	1	A	1	P01			
	Configuration example 2:										
	TAP90	G	10	A	2	L			P01		
Connections											
R Screwed flange with M52x2 mount	H G 1 1/2"										
F Screwed flange DIN 24557-2	M 3/4" NPT										
C Weld riser	G M52x2										
	Q G 3/4"										
	Connection										
Filtration rating	R	F	C	Q	H	M	G				
00 Without filter (blind filler plug)	•	•	•	-	-	-	-				
03 Resin impregnated paper 3 µm	•	•	•	•	•	•	•				
10 Polyurethane 10 µm	•	•	•	•	•	•	•				
Valve	Filtration rating:		00	03	10						
0 Without valve			•	•	•						
1 0.3 bar pressurization valve			-	•	•						
2 0.7 bar pressurization valve			-	•	•						
Version											
0 Standard	A With dipstick										
L With padlock tab	F With padlock tab and dipstick										
	Connection										
Basket	R	F	C	Q	H	M	G				
0 Without basket	•	•	•	-	-	-	-				
1 With basket 120 mm	•	•	•	-	-	-	-				
3 With basket 250 mm	•	•	•	-	-	-	-				
Seals											
A NBR											
Execution											
P01 MP Filtri standard											
Pxx Customized											

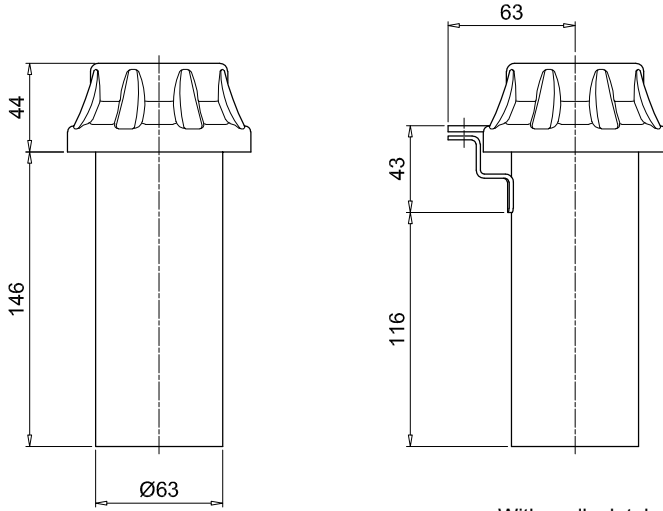


TAP 90

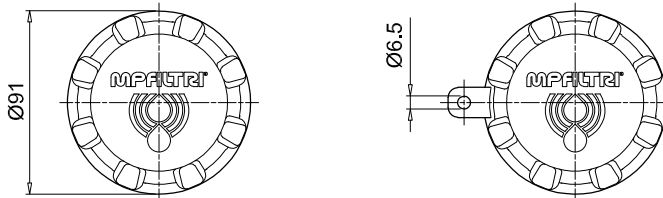
Dimensions

TAP90

Weld riser



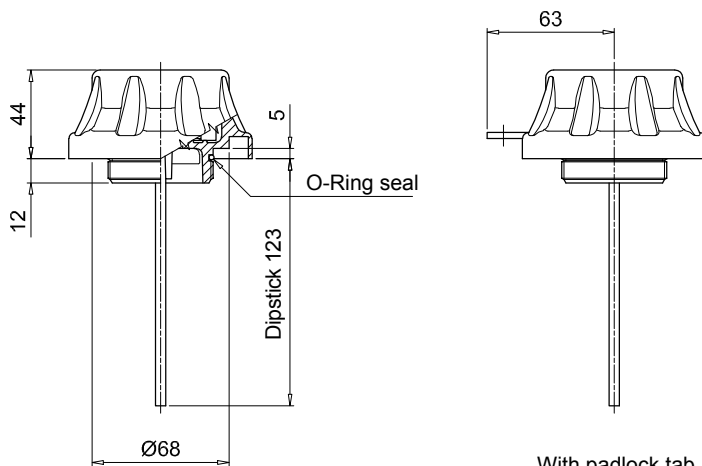
With padlock tab



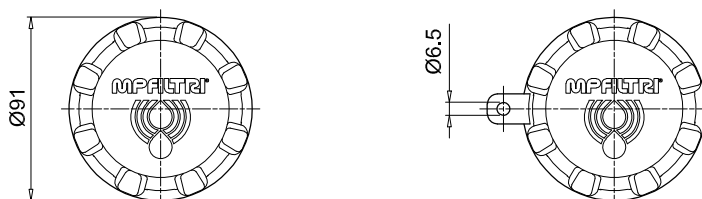
TAP90

Threaded connection

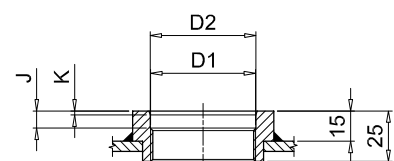
Connections	D1 [mm]	D2 [mm]	J [mm]	K [mm]
Q	G 3/4"	-	-	-
H	G 1 1/2"	48.5	8.5	2x15°
M	3/4" NPT	-	-	-
G	M 52x2	52.5	8.5	2x15°



With padlock tab



Housing on the tank
for connections G - H - M - Q



TAP 114 series

Filler plug and polyamide air filter up to 1600 l/min



TAP 114 GENERAL INFORMATION

Technical data

Air breathers & Filler plugs

Filler plug and polyamide air filters Flow rates up to 1600 l/min

TAP114 is a range of plastic large air breathers and filler caps for protection of the tank against the solid contamination contained into the air and filling of the fluid into the systems during the commissioning and maintenance procedures.
They are directly fitted on the tank.

Available features:

- Flanged connection, for a maximum flow rate of 1600 l/min
- Replaceable filter element
- Fine cellulose filtration, to get a good cleanliness level into the reservoir
- Polyester media is an option for heavy environmental conditions (high humidity, sand ...)
- Filling basket, to hold the coarse contamination contained into the fluid and to diffuse the fluid flow into the tank
- Anti-splash, to avoid fluid coming out through the air breather due to sloshing

Common applications:

- Hydraulic systems
- Mobile machines
- Industrial equipment

Flow rate Δp 0.02 bar

	Length	Flow rate [l/min]	
		standard	with anti-splash
TAP114	1	1450	480
TAP114	3	1600	530

Materials

- Cover: Polyamide
- Filter element: Resin impregnated paper
- Flange: Polyamide
- Seals: NBR
- Screws: Galvanized steel
- Basket: Polyamide

Temperature

From -25 °C to +100 °C

Weight

TAP 114 length 1 0.185 kg
TAP 114 length 3 0.200 kg



Designation & Ordering code

COMPLETE FILLER PLUG / COMPLETE AIR FILTER

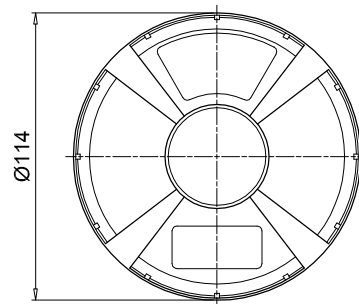
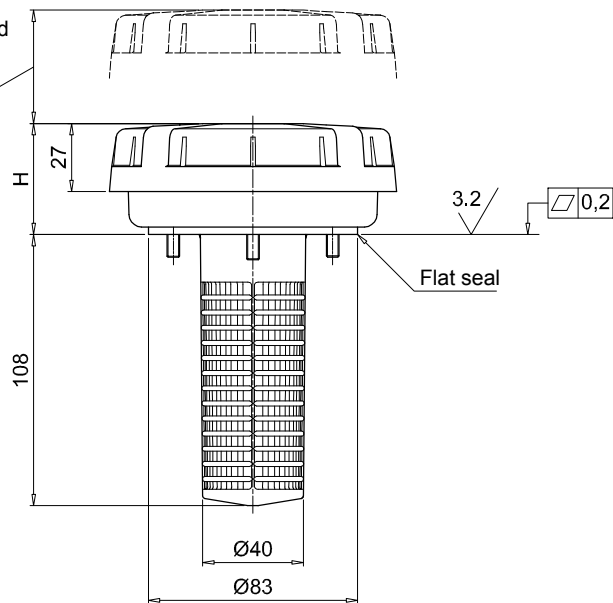
Series TAP114	Configuration example: TAP114					
Length 1 3	1	L10	A	3	P01	
Filtration rating L10 Resin impregnated paper 10 µm		L10				
Seals A NBR			A			
Version 1 With basket 3 With basket + anti-splash feature				3		
						Execution P01 MP Filtri standard Pxx Customized

FILTER ELEMENT

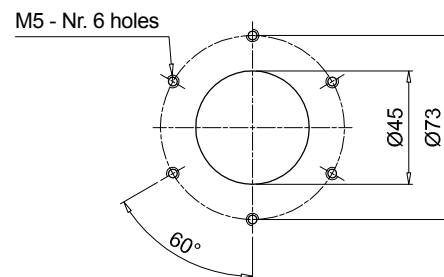
Filter element series A114	Configuration example: A114			
Length 1 3	1	L10	P01	
Filtration rating L10 Resin impregnated paper 10 µm		L10		
				Execution P01 MP Filtri standard Pxx Customized

TAP114		
Length	H [mm]	H2 [mm]
1	44	30
3	71	60

H2 - Recommended clearance space for maintenance



Holes on the tank



Version with anti-splash feature



TAP 115 - SAP 115

Filler plug and polyamide air filter up to 3000 l/min



TAP 115 GENERAL INFORMATION

Technical data

Air breathers & Filler plugs

Filler plug and polyamide air filters Flow rates up to 2150 l/min

TAP115 is a range of plastic large air breathers and filler caps for protection of the tank against the solid contamination contained into the air and filling of the fluid into the systems during the commissioning and maintenance procedures.
They are directly fitted on the tank.

Available features:

- Flanged connection, for a maximum flow rate of 2150 l/min
- Replaceable filter element.
- Fine cellulose and microfibre filtration, to get a good cleanliness level into the reservoir. Polyester media is an option for heavy environmental conditions (High humidity, sand ...)
- Visual clogging indicator
- Filling basket, to hold the coarse contamination contained into the fluid and to diffuse the fluid flow into the tank

Common applications:

- Hydraulic systems
- Mobile machines
- Industrial equipment

Flow rate Δp 0.02 bar

	Flow rate [l/min]	
	Filtration rating	A03
TAP115 length 1	1600	2000
TAP115 length 2	2150	2150

Materials

- Cover/flange: Polyamide
- Filter element: Microfibre, Resin impregnated paper
- Seals: NBR, FPM
- Basket/screws: Galvanized steel

Clogging indicators

- Manual reset
- Set pressure 0.062 bar \pm 10%

Temperature

From -25 °C to +100 °C

Weight

TAP 115 length 1	0.460 kg
TAP 115 length 2	0.585 kg



Designation & Ordering code

COMPLETE FILLER PLUG / COMPLETE AIR FILTER

Series	Configuration example:	TAP115	2	F	A03	A	1	A	P01
TAP115									
Length									
1 2									
Connections									
F Flange									
Filtration rating									
A03 Inorganic microfiber 3 μ m									
L10 Resin impregnated paper 10 μ m									
Seals									
A NBR V FPM									
Version									
1 With basket									
Clogging indicator									
A Without indicator									
B With visual clogging indicator									
Execution									
P01 MP Filtri standard									
Pxx Customized									

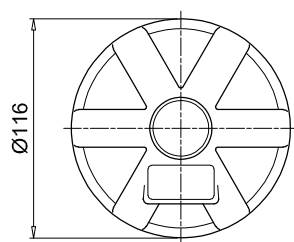
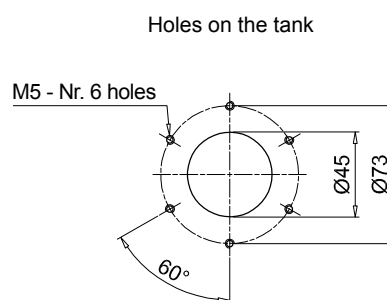
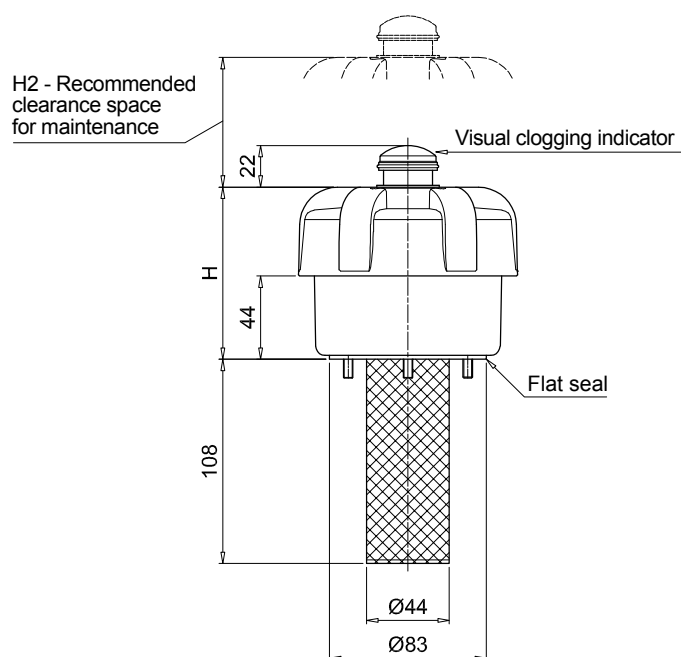
FILTER ELEMENT

Filter element series	Configuration example:	A115	2	A03	P01
A115					
Length					
1 2					
Filtration rating					
A03 Inorganic microfiber 3 μ m					
L10 Resin impregnated paper 10 μ m					
Execution					
P01 MP Filtri standard					
Pxx Customized					

TAP 115

Dimensions

TAP115		
Length	H [mm]	H2 [mm]
1	91	55
2	155	80



Technical data

Air breathers & Filler plugs

Filler plug and polyamide air filters Flow rates up to 3000 l/min

SAP115 is a range of plastic large air breathers for protection of the tank against the solid contamination contained into the air. They are directly fitted on the tank.

Available features:

- Male threaded connections up to 1 1/2", for a maximum flow rate of 3000 l/min.
- Replaceable filter element.
- Fine cellulose and microfibre filtration, to get a good cleanliness level into the reservoir. Polyester media is an option for heavy environmental conditions (High humidity, sand ...)
- Visual clogging indicator
- Antisplash, to avoid fluid coming out through the air breather due to sloshing
- Filling basket, to hold the coarse contamination contained into the fluid and to diffuse the fluid flow into the tank

Common applications:

- Hydraulic systems
- Mobile machines
- Industrial equipment

Flow rate Δp 0.02 bar

	Flow rate [l/min]	
	Filtration rating	A03
SAP115 length 1 - G1"	1830	2170
SAP115 length 2 - G1"	2800	2800
SAP115 length 1 - G1 1/2"	1995	2330
SAP115 length 2 - G1 1/2"	3000	3000

Materials

- Cover/flange: Polyamide
- Filter element: Microfibre, Resin impregnated paper
- Connection: Polyamide
- Seals: NBR, FPM

Clogging indicators

- Manual reset
- Set pressure 0.062 bar \pm 10%

Temperature

From -25 °C to +100 °C

Weight

SAP 115 length 1	0.410 kg
SAP 115 length 2	0.525 kg



Designation & Ordering code

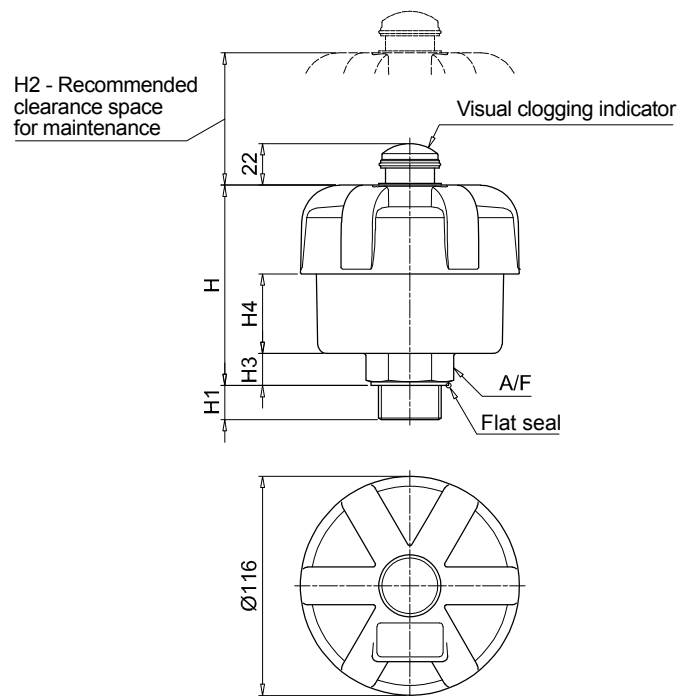
COMPLETE FILLER PLUG / COMPLETE AIR FILTER

Series	Configuration example:	SAP115	2	A	A03	A	1	A	P01
SAP115									
Length			1 2						
Connections		A G 1"		C G 1 1/2"					
Filtration rating		A03 Inorganic microfiber 3 μ m		L10 Resin impregnated paper 10 μ m					
Seals		A NBR							
Version		0 Standard		1 With anti-splash feature					
Clogging indicator		A Without indicator		B With visual clogging indicator					
Execution		P01 MP Filtri standard		Pxx Customized					

FILTER ELEMENT

Filter element series	Configuration example:	A115	2	A03	P01
A115					
Length			1 2		
Filtration rating		A03 Inorganic microfiber 3 μ m		L10 Resin impregnated paper 10 μ m	
Execution		P01 MP Filtri standard		Pxx Customized	

SAP115							
Length	Connections	H [mm]	H1 [mm]	H2 [mm]	H3 [mm]	H4 [mm]	A/F [mm]
1	A	106	18	55	17	42	41
	C	111	23	55	22	42	55
2	A	170	18	80	17	106	41
	C	175	23	80	22	106	55



WORLDWIDE NETWORK

CANADA ♦ CHINA ♦ FRANCE ♦ GERMANY ♦ INDIA ♦ SINGAPORE
UNITED ARAB EMIRATES ♦ UNITED KINGDOM ♦ USA



PASSION  PERFORM

in   



mpfiltri.com
Scan or click me!

MP Filtri reserves the right to make modifications to the models and versions of the described products at any time for both technical and/or commercial reasons.
For updated information please visit our website: www.mpfiltri.com. The colors and the pictures of the products are purely indicative.
Any reproduction, partial or total, of this document is strictly forbidden. All rights are strictly reserved.

MF00100034
EN - 2025.04