

LEN - LEG - LET - LEM - LEU series

Electrical oil level indicators



Technical data

Electrical Oil Level Indicators

LEN is a range of electrical fluid level indicators for monitoring of the fluid level into the tank.

They are directly fitted on the tank.

The float moves through the rod while the fluid level changes.

A magnet, fitted into the float, turns a reed sensor fixed into the rod.

Available features:

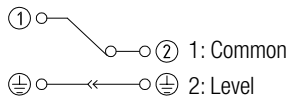
- G 1" male threaded or flanged connections
- Adjustable size on request, to meet every size of tank
- 1 or 2 floats, to monitor the minimum level, the maximum level or both of them

Common applications:

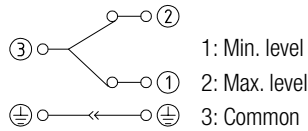
- Hydraulic systems
- Mobile machines
- Industrial equipment

Electrical symbol:

LEN 1 Float



LEN 2 Floats



Note: to invert the contact status from NC to NO and vice versa, simply invert the float.

Materials

- Flange/Threaded body: Aluminium
- Tube: Brass
- Float: Polyamide foam
- O-Ring: NBR
- Circlip: Phosphor bronze
- Contact: N.C. (Normally Closed)

Electrical data

- Protection rating: IP65
- Max switching capacity: 80 W
- Max switching current: 1 A
- Max switching voltage: 250 Vac
- Fluid specific gravity: > 0.75

Temperature

From -15 °C to + 80 °C

Weight

LEN 1 float 0.185 kg
LEN 2 floats 0.230 kg

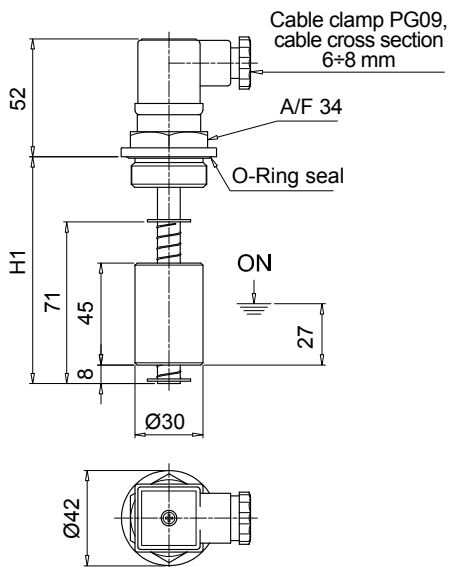


Designation & Ordering code

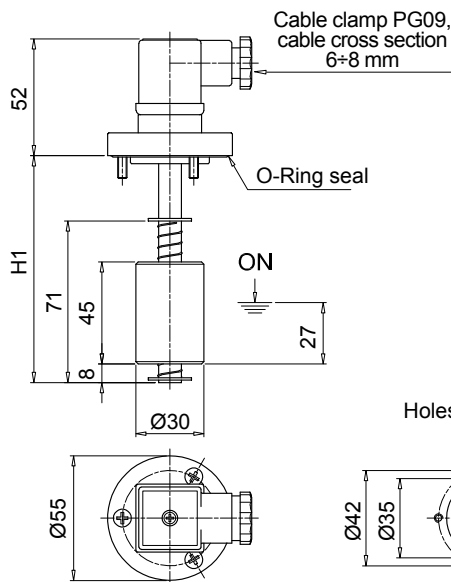
COMPLETE ELECTRICAL OIL LEVEL INDICATORS

Series	Configuration example :									
LEN	LEN	A	350	2	A	1	A	G	S	P01
Tube material										
A Brass										
Length										
150 200 250 350 400 500										
Number of floats	Length									
	150	200	250	350	400	500				
1 Nr. 1 float	•	•	•	•	•	•				
2 Nr. 2 floats	-	•	•	•	•	•				
Float material										
A Polyamide foam										
Electrical switch										
1 N.C. (Normally Closed)										
Seals										
A NBR										
Connections										
G G 1"										
F Nr. 3 holes flange										
Electrical connection										
S EN 175301-803 connector										
										Execution
										P01 MP Filtri standard
										Pxx Customized

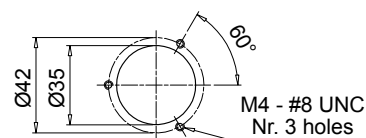
Connection "G"



Connection "F"



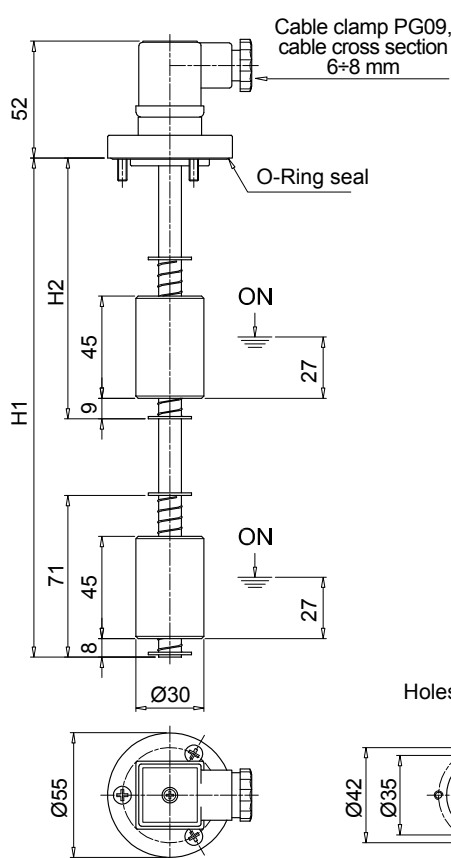
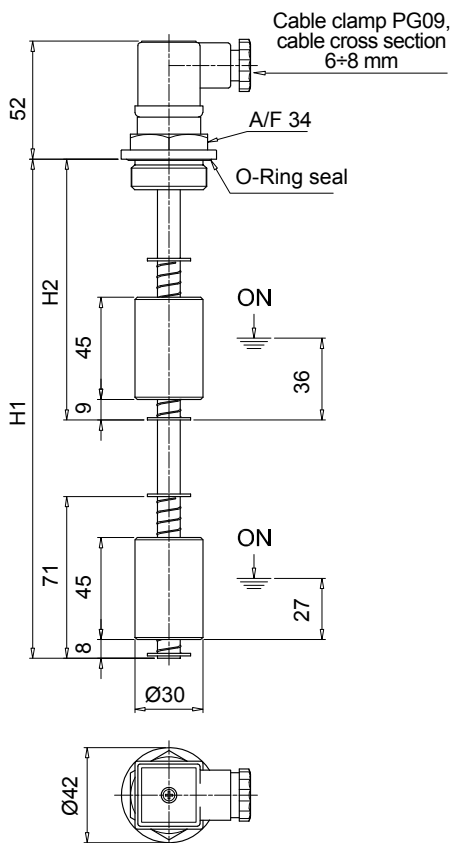
Holes on the tank



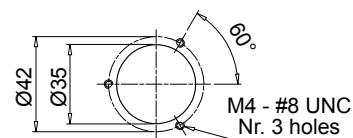
LEN

Nr. 1 float

Length	H1 [mm]
150	150
200	200
250	250
350	350
400	400
500	500



Holes on the tank



LEN

Nr. 2 floats

Length	H1 [mm]	H2 [mm]
200	200	95
250	250	105
350	350	115
400	400	115
500	500	125

LEG GENERAL INFORMATION

Technical data

Electrical Oil Level Indicators

LEG is a range of electrical fluid level indicators for monitoring of the fluid level into the tank.

They are directly fitted on the tank side.

The float moves through the rod while the fluid level changes.

A magnet, fitted into the float, turns a reed sensor fixed into the rod.

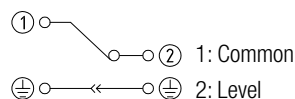
Available features:

- Flanged connections
- Adjustable size on request, to meet every size of tank
- Floating monitor for oil level check

Common applications:

- Hydraulic systems
- Mobile machines
- Industrial equipment

Electrical symbol:



Note: to invert the contact status from NC to NO and vice versa, simply invert the float.

Materials

- Flange/Threaded body: Aluminium
- Tube: Brass
- Float: Polyamide foam
- O-Ring: NBR
- Circlip: Phosphor bronze
- Contact: N.C. (Normally Closed)

Electrical data

- Protection rating: IP65
- Max switching capacity: 80 W
- Max switching current: 1 A
- Max switching voltage: 250 Vac
- Fluid specific gravity: > 0.75

The electrical properties indicated are referred to resistive loads; for capacitive and inductive loads and incandescent lamps, use protection circuits.

Temperature

From -15 °C to +80 °C

Weight

- LEG A 102 0.19 kg
- LEG A 200 0.22 kg

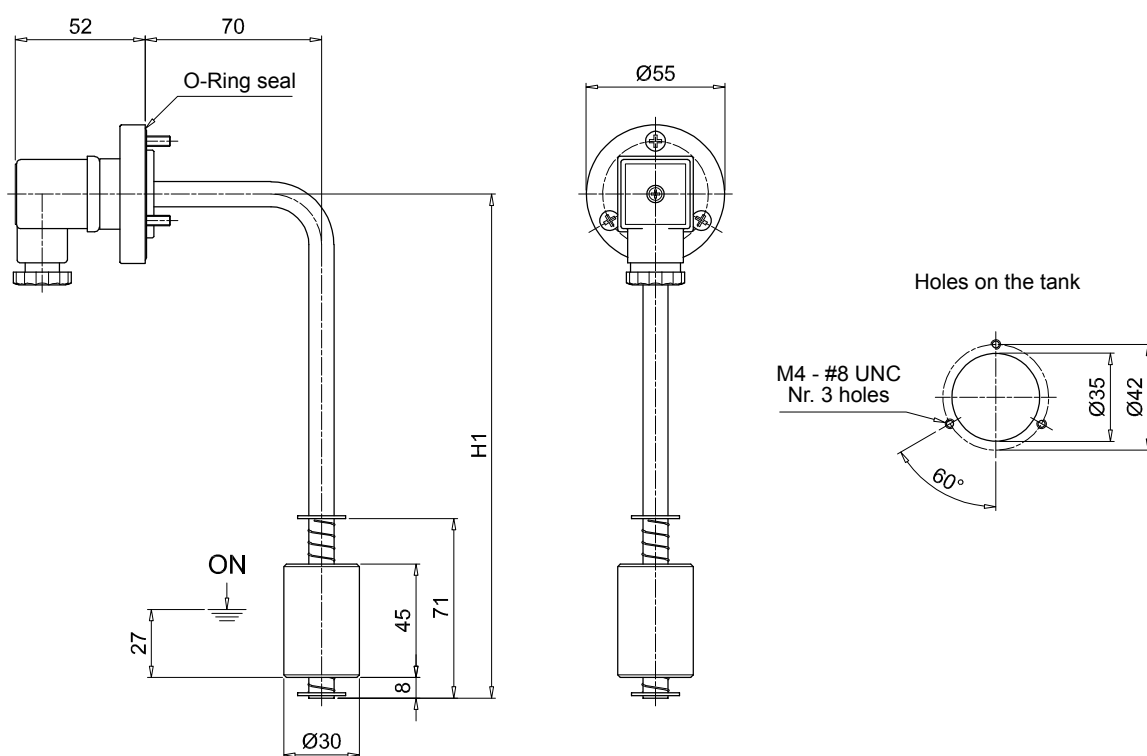


Designation & Ordering code

COMPLETE ELECTRICAL OIL LEVEL INDICATOR

Series		Configuration example : LEG A 200 1 A 1 A F S P01									
LEG											
Tube material		A									
A	Brass										
Length		102 200									
102 200											
Number of floats		1									
1	Nr. 1 float										
Float material		A									
A	Polyamide foam										
Electrical switch		1									
1	N.C. (Normally Closed)										
Seals		A									
A	NBR										
Connections		F									
F	Nr. 3 holes flange										
Electrical connection		S									
S	EN 175301-803 connector										
Execution											
P01 MP Filtri standard											
Pxx Customized											

LEG	
Size	H1 [mm]
LEG 102	103
LEG 200	200



Note: for installation onto OB Cleaning covers see page 147

Technical data

Electrical Oil Level Indicators

LET is a range of electrical fluid level indicators for monitoring of the fluid level into the tank. They are directly fitted on the tank. The float moves through the rod while the fluid level changes. A magnet, fitted into the float, turns a reed sensor fixed into the rod. The integrated thermostat allows to get a remote monitoring of the temperature.

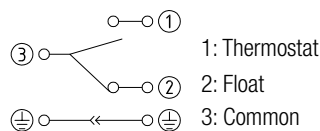
Available features:

- G 1" male threaded or flanged connections
- Adjustable size on request, to meet every size of tank
- Floating monitor for oil level check

Common applications:

- Hydraulic systems
- Mobile machines
- Industrial equipment

Electrical symbol:



Note: to invert the contact status from NC to NO and vice versa, simply invert the float.

Materials

- Flange/Threaded body: Aluminium
- Tube: Brass
- Float: Polyamide foam
- O-Ring: NBR
- Circlip: Phosphor bronze
- Contact: N.C. (Normally Closed)

Electrical data

- Protection rating: IP65
- Max switching capacity: 80 W
- Max switching current: 1 A
- Max switching voltage: 250 Vac
- Fluid specific gravity: > 0.75

Temperature

From -15 °C to + 80 °C

Weight

LET A 200	0.20 kg
LET A 300	0.23 kg
LET A 400	0.28 kg



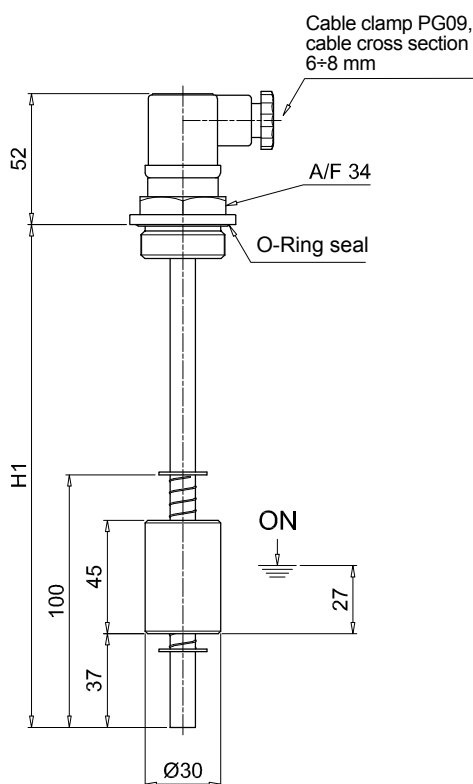
Designation & Ordering code

COMPLETE ELECTRICAL OIL LEVEL INDICATOR

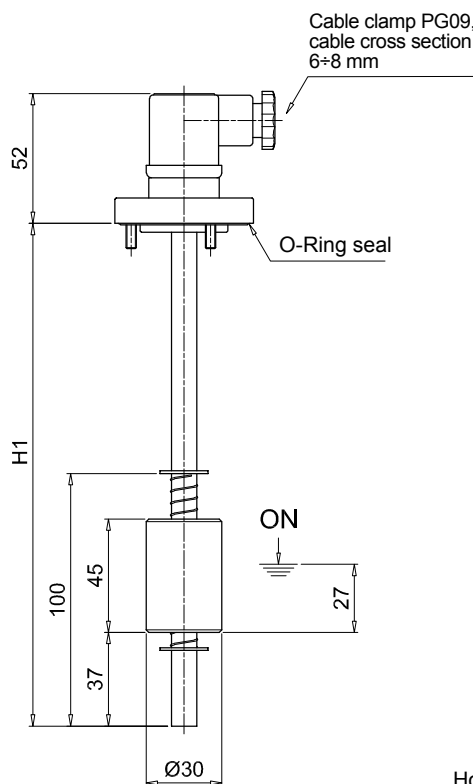
Series	Configuration example :	LET	A	300	1	A	1	A	F	S	50	P01
LET												
Tube material												
A Brass												
Length												
200 300 400												
Number of floats												
1 Nr. 1 float												
Float material												
A Polyamide foam												
Electrical switch												
1 N.C. (Normally Closed)												
Seals												
A NBR												
Connections												
G G 1"												
F Nr. 3 holes flange												
Electrical connection												
S EN 175301-803 connector												
Thermostat setting												
50 50°C N.O. (Normally Open)												
Execution												
P01 MP Filtri standard												
Pxx Customized												

LET	
Length	H1 [mm]
200	200
300	300
400	400

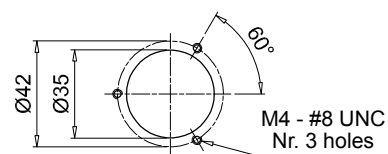
Connection "G"



Connection "F"



Holes on the tank



Technical data

Electrical Oil Level Indicators

LEM is a range of electrical fluid level indicators for monitoring of the fluid level into the tank. They are directly fitted on the tank. The float moves through the rod while the fluid level changes. A magnet, fitted into the float, turns a reed sensor fixed into the rod. The setting point is adjustable on site, with few easy actions.

Available features:

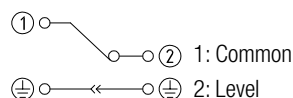
- Flanged connections
- Adjustable size to meet every size of tank
- Floating monitor for oil level check
- Integrated thermostat, to get a remote monitoring of the temperature

Common applications:

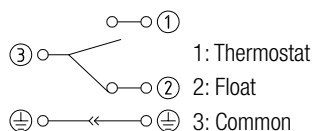
- Hydraulic systems
- Mobile machines
- Industrial equipment

Electrical symbol:

LEM without thermostat



LEM with thermostat



Note: to invert the contact status from NC to NO and vice versa, simply invert the float.

Materials

- Flange/Threaded body: Aluminium
- Tube: Brass
- Float: Polyamide foam
- O-Ring: NBR
- Circlip: Phosphor bronze
- Float contact: N.C. reed, N.O. (on request)
- Thermostat contact: N.O., N.C. (on request)

Electrical data

- Protection rating: IP65
- Max switching capacity: 80 W
- Max switching current: 1 A
- Max switching voltage: 250 Vac
- Fluid specific gravity: > 0.75

Temperature

From -15 °C to + 80 °C

Weight

LEM 0.406 kg

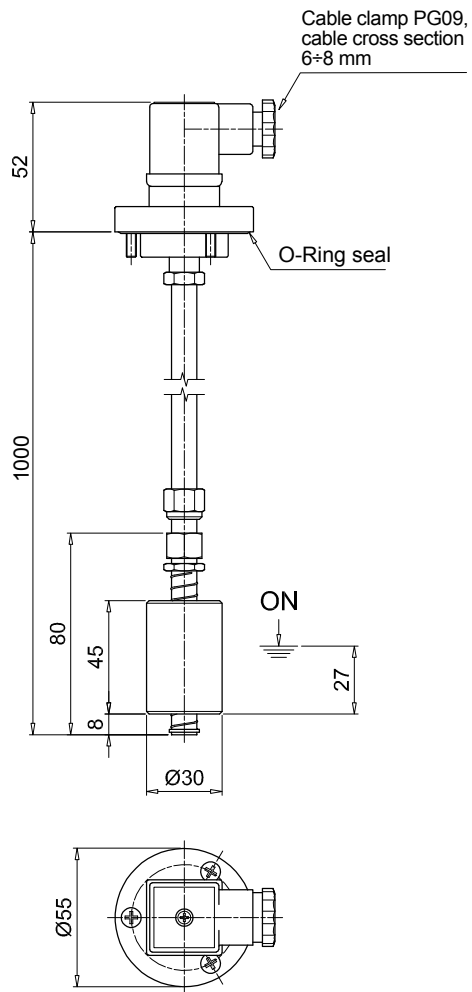


Designation & Ordering code

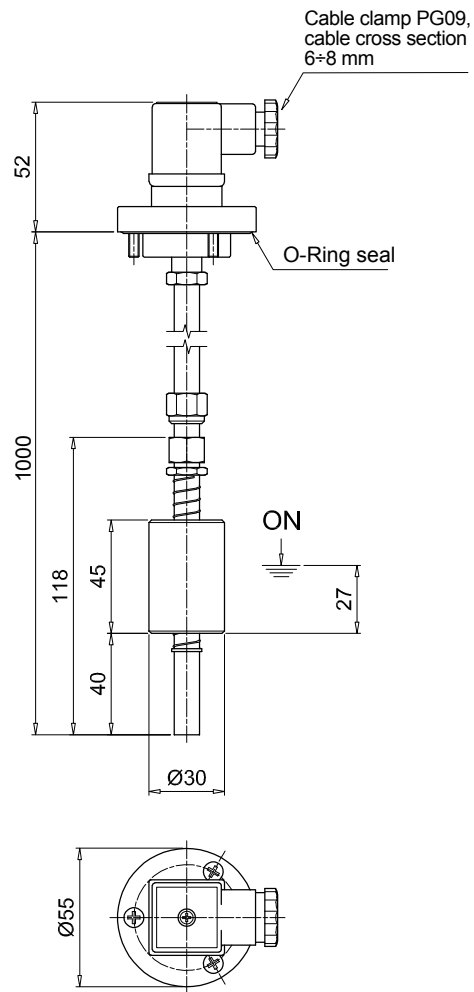
COMPLETE ELECTRICAL OIL LEVEL INDICATOR

Series	Configuration example :	LEM	A	1000	1	A	1	A	F	S	60	P01
LEM												
Tube material												
A Brass												
Length												
1000												
Number of floats												
1 Nr. 1 float												
Float material												
A Polyamide foam												
Electrical switch												
1 N.C. (Normally Closed)												
Seals												
A NBR												
Connections												
F Nr. 3 holes flange												
Electrical connection												
S EN 175301-803 connector												
Thermostat setting												
00 Without thermostat												
60 60°C N.O. (Normally Open)												
Execution												
P01 MP Filtri standard												
Pxx Customized												

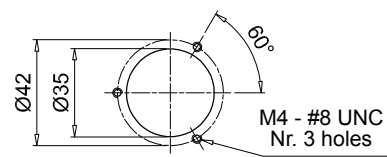
Without thermostat



With thermostat



Holes on the tank



Technical data

Electrical Oil Level Indicators

LEU is a range of electrical fluid level indicators for monitoring of the fluid level into the tank. They are directly fitted on the tank. The float moves through the rod while the fluid level changes. A magnet, fitted into the float, turns a reed sensor fixed into the rod. The setting point is adjustable on site, with few easy actions. They are made of stainless steel, to meet every heavy duty application.

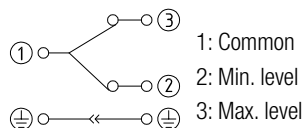
Available features:

- Flanged connections
- Setting size for each tank type
- Double Floating monitor for oil level check

Common applications:

- Hydraulic systems
- Mobile machines
- Industrial equipment

Electrical symbol:



Note: to invert the contact status from NC to NO and vice versa, simply invert the float.

Materials

- Flange / Threaded body: Aluminium
- Tube: AISI 304
- Float: NBR, AISI 316 (on request)
- O-Ring: NBR
- Circlip: AISI 304
- Float contact: N.C. reed, N.O. (on request)

Electrical data

- Protection rating: IP65
- Max switching capacity: 50 W
- Max switching current: 0.5 A
- Max switching voltage: 250 Vac
- Fluid specific gravity: > 0.75

Temperature

From -15 °C to + 80 °C

Weight

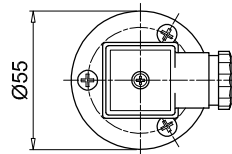
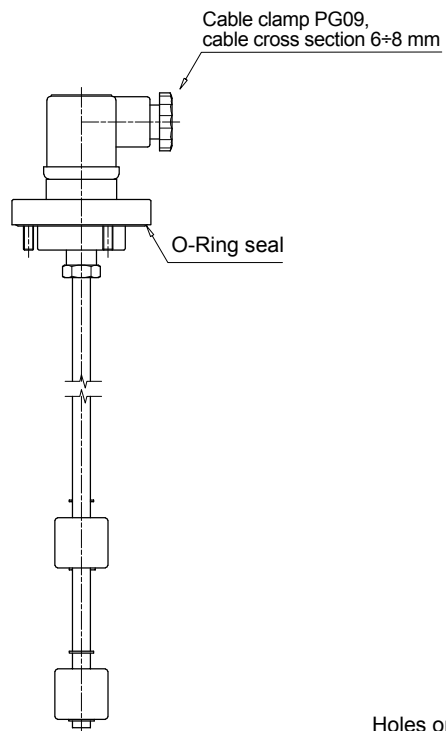
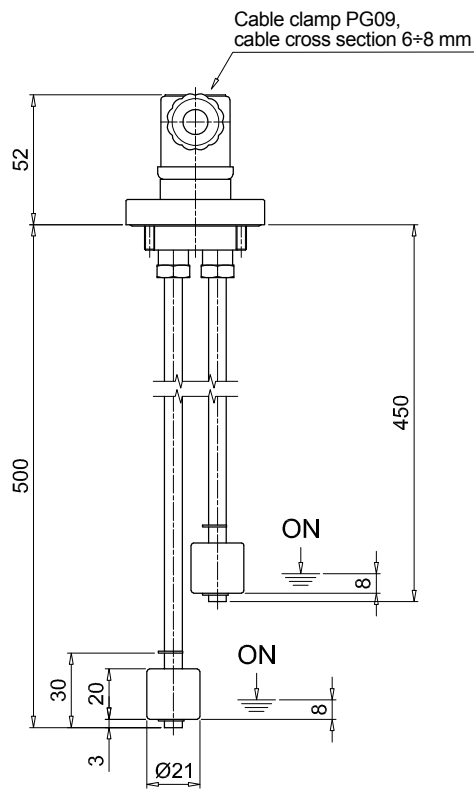
LEU 0.415 kg



Designation & Ordering code

COMPLETE ELECTRICAL OIL LEVEL INDICATOR

Series	Configuration example :	LEU	B	2	B	1	A	F	S	P01
LEU										
Tube material										
B AISI 304										
Number of floats										
2 Nr. 2 floats										
Float material										
B NBR										
Electrical switch										
1 N.C. (Normally Closed)										
Seals										
A NBR										
Connections										
F Nr. 3 holes flange										
Electrical connection										
S EN 175301-803 connector										
Execution										
P01 MP Filtri standard										
Pxx Customized										



Holes on the tank

