

**VISUAL OIL LEVEL INDICATORS**

**TANK  
ACCESSORIES**

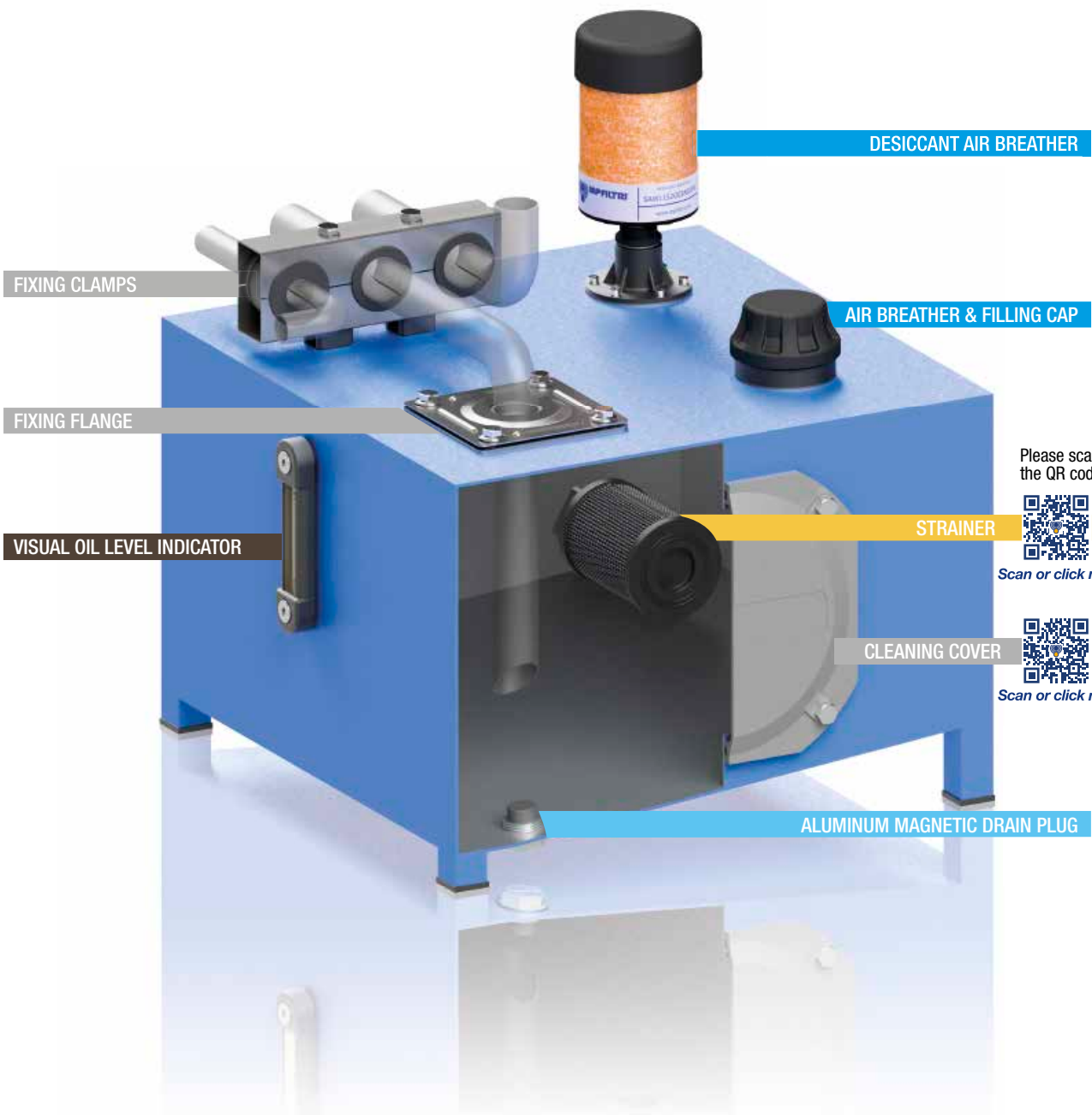
**CATALOGUE**



**PASSION TO PERFORM**



# TANK ACCESSORIES



Please scan the QR codes:



Suction Filters

*Scan or click me!*



Power Transmission Accessories

*Scan or click me!*

<b>1</b>	<b>page</b>	<b>INTRODUCTION</b>
2		INDEX
4		COMPANY PROFILE
8		PRODUCT RANGE

<b>10</b>	<b>page</b>	<b>AIR BREATHERS AND FILLER PLUGS</b>
13	SAP 054-075 - SA	Air breathers
19	SAW 115	Moisture control desiccant air breathers
23	SCS	Metal air breathers with interchangeable filter element
29	SME 1 - SMF 1 - SML 1	Risers for breathers and filler caps installation
35	TA 46 - TAP 50 - SAP 50	Filler plug and air filter up to 200 l/min
43	TA 80	Steel filler plug and air filter up to 500 l/min
47	TAP 90	Filler plug and polyamide air filter up to 550 l/min
53	TAP 114	Filler plug and polyamide air filter up to 1600 l/min
57	TAP 115 & SAP 115	Filler plug and polyamide air filter up to 3000 l/min

<b>62</b>	<b>page</b>	<b>FILLER AND DRAIN PLUGS</b>
65	TC 50	Polyamide filler plug
69	TKT - TSD - TKM	Filler and draining plugs

<b>76</b>	<b>page</b>	<b>VISUAL OIL LEVEL INDICATORS</b>
79	LCP - LCC	Visual oil level indicator - round shape
85	LVA - LVU	Visual oil level indicator - vertical shape

<b>90</b>	<b>page</b>	<b>ELECTRICAL OIL LEVEL INDICATORS</b>
93	LEN - LEG - LET - LEM - LEU	Electric oil level indicator
95	LVK	Visual and Electric oil level indicator

<b>110</b>	<b>page</b>	<b>ACCESSORIES</b>
113	EM1	Pressure gauge isolator
119	SVM	Gauge selector valve
123	FTA - FTR	Oil tank fixing flange
127	MULTIFIT SFT	Fixing clamps

## **LC**

The sight plugs series allow visibility of the fluid contained in the reservoirs, showing the level and also any changes in transparency and emulsion.

## **LV**

The oil level indicators series is available for both static and mobile applications; the construction materials used make it possible to guarantee service with wide temperature variations and compatibility with all hydraulic fluids.

LVA / LVU level indicators are available with fixing centre distance from 76 to 1000 mm.

These indicators are available in three configurations, with transparent plastic body, with black plastic body and with aluminium body.

Fixing to reservoirs with unthreaded holes or with reduced thickness can be achieved using series LCC equipped with expansion kit.

# Visual Oil Level Indicators



LCP - LCC  
LVA - LVU

page 79  
85



# LCP - LCC series

Visual oil level indicator - round shape



# LCP GENERAL INFORMATION

## Technical data

### Visual Oil Level Indicators

#### Visual oil level indicator - round shape

LCP is a range of plastic compact fluid level indicators, usually called spy eyes, for monitoring of the fluid level into the tank. They are directly fitted on the tank side.

Housings made of polyamide or steel can be selected, to meet every condition.

#### Available features:

- Male threaded connections up to G 2"
- Contrast baffle, to allow an easy monitoring of the level
- Special fixing kit, for reliable sealing even in tanks with thin walls

#### Common applications:

- Hydraulic systems
- Mobile machines
- Industrial equipment

### T Series

#### Weight

LCPG13	1 g
LCPG16	2 g
LCPG20	4 g
LCPG26	8 g
LCPG33	10 g
LCPG42	12 g

#### Materials

- Body: Polyamide
- Contrast baffle : Polyamide
- Seals: NBR

### M Series

#### Weight

LCPG20	6 g
LCPG26	9 g
LCPG33	13 g

#### Materials

- Body: Aluminium
- Lens: Thermoplastic
- Contrast baffle : Polyamide
- Seals: Inorganic fibre

### N Series

#### Weight

LCPG13	2 g
LCPG16	4 g
LCPG20	7 g
LCPG26	9 g
LCPG30	12 g
LCPG33	18 g
LCPG42	25 g
LCPG48	48 g
LCPG60	59 g

#### Materials

- Body: Polyamide
- Lens: Thermoplastic
- Contrast baffle : Polyamide
- Seals: Inorganic fibre, NBR
- Special fixing kit: Brass, NBR

### Temperature

From -20 °C to + 80 °C

### Quantity

25 pcs/pack



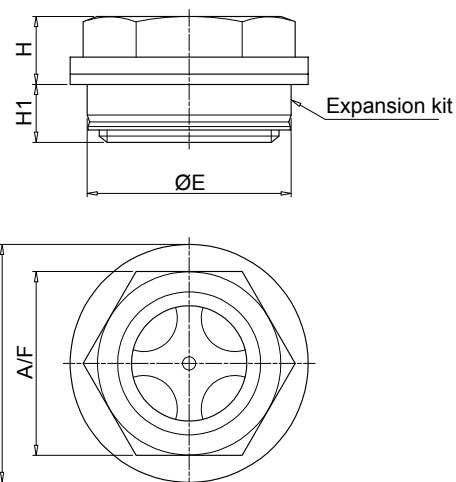
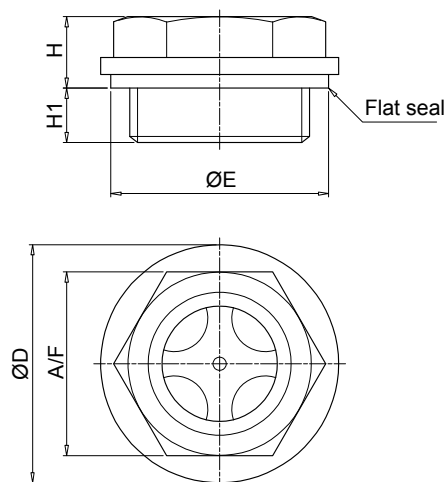
## Designation & Ordering code

### COMPLETE VISUAL OIL LEVEL INDICATOR

Series	Configuration example 1 :															Configuration example 2 :			Configuration example 3 :						
<b>LCP</b>	LCP	G26	N	S	B	S	P01	LCP	G42	T	S	A				P01	LCP	G20	M	C	A				P01
Connections	Material:	N	T	M																					
<b>G13</b> G 1/4"		•	•	-																					
<b>G16</b> G 3/8"		•	•	-																					
<b>G20</b> G 1/2"		•	•	•																					
<b>G26</b> G 3/4"		•	•	•																					
<b>G33</b> G 1"		•	•	•																					
<b>G42</b> G 1 1/4"		•	•	-																					
<b>G48</b> G 1 1/2"		•	-	-																					
<b>G60</b> G 2"		•	-	-																					
Material	N Black Polyamide															T Transparent polyamide			M Aluminium						
Contrast baffle	Material:	N								T				M											
<b>S</b> Without contrast baffle	Connection:	G13	G16	G20	G26	G33	G42	G48	G60	G13	G16	G20	G26	G33	G42										
<b>C</b> With contrast baffle		-	•	•	•	•	•	•	•	-	-	-	-	•	•	•									
Seals	Material:	N						T			M														
<b>A</b> NBR	Expansion kit:		S	K						•						•									
<b>B</b> Inorganic fiber			•	-						-	-	-	-	-	-	-									
Special fixing kit	Material:	N								T			M												
<b>S</b> Without special fixing kit	Connection:	G13	G16	G20	G26	G33	G42	G48	G60																
<b>K</b> With special fixing kit		-	-	•	•	•	•	•	-	-	-	-	-	-	-	-									
		Execution																							
<b>P01</b>		MP Filtri standard																							
<b>Pxx</b>		Customized																							



### LCP - N



#### without expansion kit

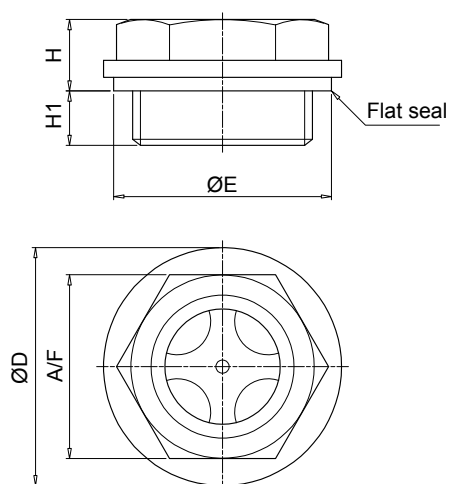
Connections	ØD [mm]	ØE [mm]	A/F [mm]	H [mm]	H1 [mm]
<b>G13</b>	20	18.5	17	9	7
<b>G16</b>	22	21.5	18	10	7
<b>G20</b>	28	26	22	10	7
<b>G26</b>	35	32	27	10.5	8
<b>G33</b>	42	41	34	13.5	10.5
<b>G42</b>	52	51	42	14	11
<b>G48</b>	58	53.5	47	16	11
<b>G60</b>	74	72	64	16	18

#### with expansion kit

Connections	ØD [mm]	ØE [mm]	A/F [mm]	H [mm]	H1 [mm]
<b>G20</b>	28	26	22	9	8
<b>G26</b>	35	30	27	10	8.5
<b>G33</b>	42	40	34	13	11
<b>G42</b>	52	50	42	13.5	11.5
<b>G48</b>	58	55	47	15.5	11.5

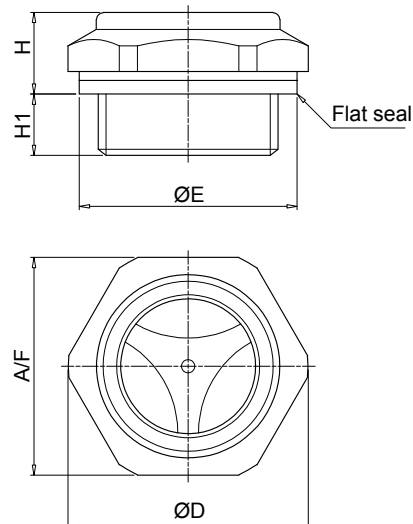
**Note:** for installation onto OB Cleaning covers see page 147

### LCP - T



Connections	ØD [mm]	ØE [mm]	A/F [mm]	H [mm]	H1 [mm]
<b>G13</b>	20	18.5	15	6.5	5
<b>G16</b>	22	21.5	17	7	5.5
<b>G20</b>	28	26	21	8	6
<b>G26</b>	33	32	26	8.5	7
<b>G33</b>	41	41	32	9	8
<b>G42</b>	52	51	42	14	11

### LCP - M



Connections	ØD [mm]	ØE [mm]	A/F [mm]	H [mm]	H1 [mm]
<b>G20</b>	29.5	26	27	11	7
<b>G26</b>	35.5	32	32	12	9
<b>G33</b>	44.5	41	40	13	8

**Note:** for installation onto OB Cleaning covers see page 147

## Technical data

### Visual Oil Level Indicators

#### Visual oil level indicator - round shape

LCC is a range of plastic compact fluid level indicators, usually called spy eyes, for monitoring of the fluid level into the tank. They are directly fitted on the tank side.

The special shape of the screen allows the monitoring of the fluid level from every position.

#### Available features:

- Male threaded connections up to G 2"
- Expansion kit, for reliable sealing even in tanks with thin walls

#### Common applications:

- Hydraulic systems
- Mobile machines
- Industrial equipment

### N Series

#### Weight

LCCG26	7 g
LCCG42	20 g
LCCG60	40 g

#### Materials

- Body: Polyamide
- Lens: Polyamide
- Contrast screen: Polyamide
- Seals: Inorganic fibre, NBR
- Expansion kit: Brass / NBR

### T Series

#### Weight

LCCG16	2 g
LCCG20	4 g
LCCG33	9 g

#### Materials

- Body: Polyamide
- Seals: NBR

### Temperature

From -20 °C to + 80 °C

### Quantity

25 pcs/pack



## Designation & Ordering code

### COMPLETE VISUAL OIL LEVEL INDICATORS

Series	Configuration example 1 :					
<b>LCC</b>	LCC	G20	N	A	K	P01
	Configuration example 2 :					
	LCC	G33	T	A		P01

Connections	Material:	N	T
<b>G13</b> G 1/4"		-	-
<b>G16</b> G 3/8"		-	-
<b>G20</b> G 1/2"		•	•
<b>G26</b> G 3/4"		•	•
<b>G33</b> G 1"		•	•
<b>G42</b> G 1 1/4"		•	-
<b>G48</b> G 1 1/2"		•	-
<b>G60</b> G 2"		•	-

Material	N	T
<b>N</b> Black polyamide		
<b>T</b> Transparent polyamide		

Seals	Material:	N			T
Expansion kit:		S	K		
<b>A</b> NBR		-	•		•
<b>B</b> Inorganic fiber		•	-		-

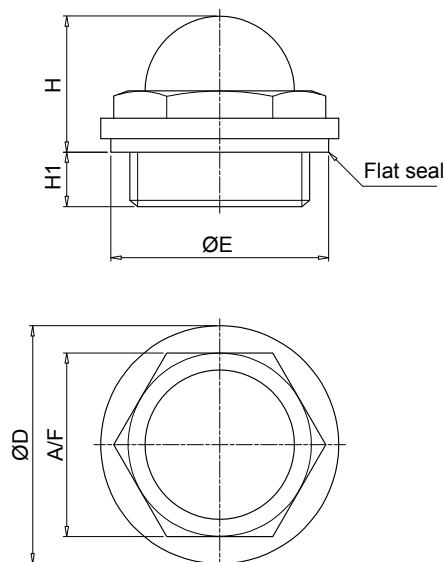
Expansion kit	Material:	N						T
Connection:		G20	G26	G33	G42	G48	G60	
<b>S</b> Without expansion kit		•	•	•	•	•	•	-
<b>K</b> With expansion kit		•	•	•	•	•	-	-

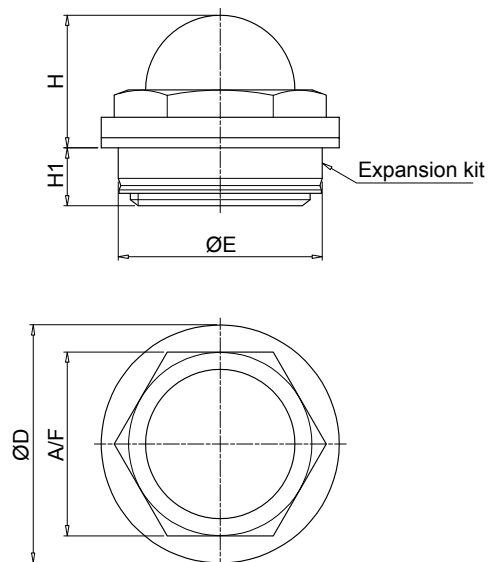
Execution	P01	Pxx
MP Filtri standard		
Customized		

### LCC - N

without expansion kit



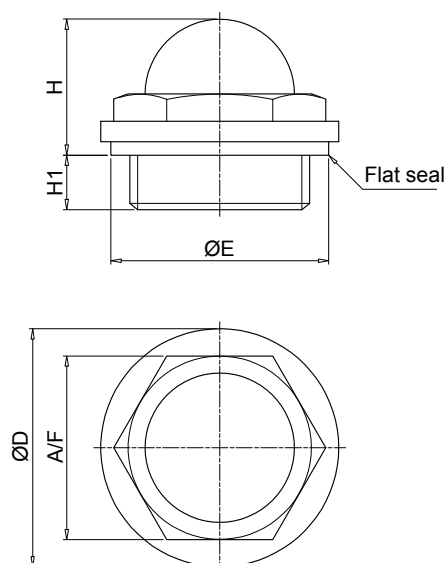
with expansion kit



Connections	ØD [mm]	ØE [mm]	A/F [mm]	H [mm]	H1 [mm]
<b>G20</b>	28	26	22	17.5	17.5
<b>G26</b>	35	32	27	20	8
<b>G33</b>	42	41	34	24	10
<b>G42</b>	52	51	44	30	11
<b>G48</b>	58	53.5	50	33	11.5
<b>G60</b>	74	72	64	39	18

Connections	ØD [mm]	ØE [mm]	A/F [mm]	H [mm]	H1 [mm]
<b>G20</b>	28	26	22	16.5	8.5
<b>G26</b>	35	30	27	19.5	8.5
<b>G33</b>	42	40	34	23.5	10.5
<b>G42</b>	52	50	44	29.5	11.5
<b>G48</b>	58	55	50	32.5	12

### LCC - T



Connections	ØD [mm]	ØE [mm]	A/F [mm]	H [mm]	H1 [mm]
<b>G13</b>	19	18.5	15	12.5	5
<b>G16</b>	21.5	21.5	17	14	5.5
<b>G20</b>	27	26	21	16.5	6
<b>G26</b>	33	32	26	19	7
<b>G33</b>	40	41	32	22.5	8



# LVA - LVU series

Visual oil level indicator - vertical shape



## Technical data

### Visual Oil Level Indicators

#### Oil level indicator - vertical shape

LVA is a range of plastic compact fluid level indicators for monitoring of the fluid level into the tank. They are directly fitted on the tank side. The fluid comes in through the lower connection screw and it is easily visible through the screen.

A white background plate, an orange line for the minimum level and a blue line for the maximum level allow an easy monitoring of the level.

#### Available features:

- Several male threaded connections, with or without nuts
- Three different sizes, to meet every size of tank
- Thermometer, to check the temperature of the fluid

#### Common applications:

- Hydraulic systems
- Mobile machines
- Industrial equipment

#### Materials

- Body: Transparent amorphous polyamide lens
- Polyamide guard
- Seal: NBR / FPM

#### Operating pressure

Max 1 bar at +80°C

#### Temperature

From -25 °C to +80 °C

#### Weight

LVA 10 0.13 kg  
LVA 20 0.18 kg  
LVA 30 0.23 kg

#### Quantity

10 pcs/pack



## Designation & Ordering code

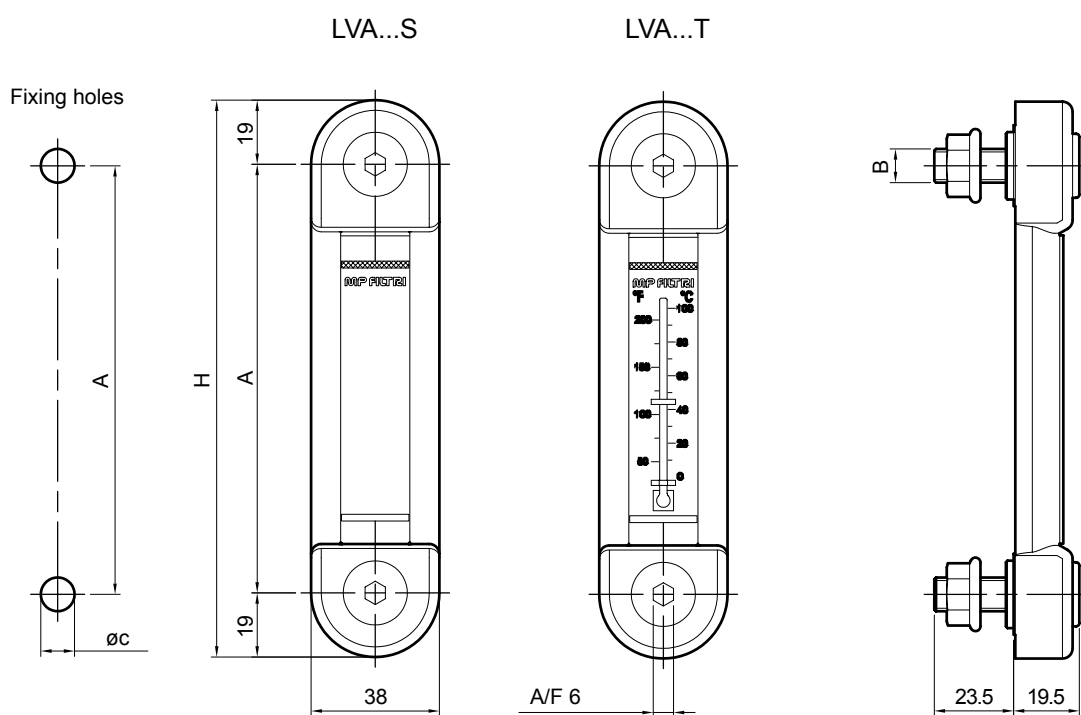
### COMPLETE VISUAL OIL LEVEL INDICATORS

Series	Configuration example :						
<b>LVA</b>	LVA	20	T	A	P	M10	S01
<b>Size</b>							
10   20   30							
<b>Thermometer</b>							
S Without thermometer							
T With thermometer							
<b>Seals</b>							
A NBR							
V FPM							
<b>Cover material</b>							
P Polyamide							
<b>Connections</b>							
M10 M10							
M12 M12							
U38 3/8" UNC							
U12 G 1/2" UNC							
<b>Execution</b>							
S01 Tag MP Filtri, with nuts							
S02 Tag MP Filtri, without nuts							

LVA		
Size	A [mm]	H [mm]
<b>LVA10</b>	76	114
<b>LVA20</b>	127	165
<b>LVA30</b>	254	292

Type	B [mm]	C [mm]
<b>LVA...M10</b>	M10	10.5
<b>LVA...M12</b>	M12	12.5
<b>LVA...U38</b>	3/8" UNC	10.0
<b>LVA...U12</b>	1/2" UNC	13.5



**Note:** for installation onto OB Cleaning covers see page 147

## Technical data

### Visual Oil Level Indicators

#### Oil level indicator - vertical shape

LVU is a range of plastic fluid level indicators for monitoring of the fluid level into the tank. They are directly fitted on the tank side.

The fluid comes in through the lower connection screw and it is easily visible through the screen.

A background plate, a red float and the adjustable minimum level and maximum level indicators allow an easy check of the level.

#### Available features:

- G 3/8" male threaded connections
- Adjustable size on request, to meet every size of tank
- Drain valve, to drop the oil for the maintenance procedures
- Glass screen and "U" protection, to meet heavy duty applications

#### Common applications:

- Hydraulic systems
- Mobile machines
- Industrial equipment

### Materials

- Head: Polyamide
- Connection G 3/8": Nickel plated brass
- G 3/8" valve: Steel
- Seal: NBR, FPM
- Pipe: Borosilicate glass, Acrylic
- Float: Polyamide
- Protection: Aluminium
- Clamps min-max: Polyamide

### Temperature

From -25 °C to +70 °C

### Weight

Series	version U	version S
LVU 0500	0.780 kg	0.580 kg
LVU 1000	1.150 kg	0.790 kg
LVU 1500	1.550 kg	1.100 kg
LVU 2000	1.950 kg	1.400 kg



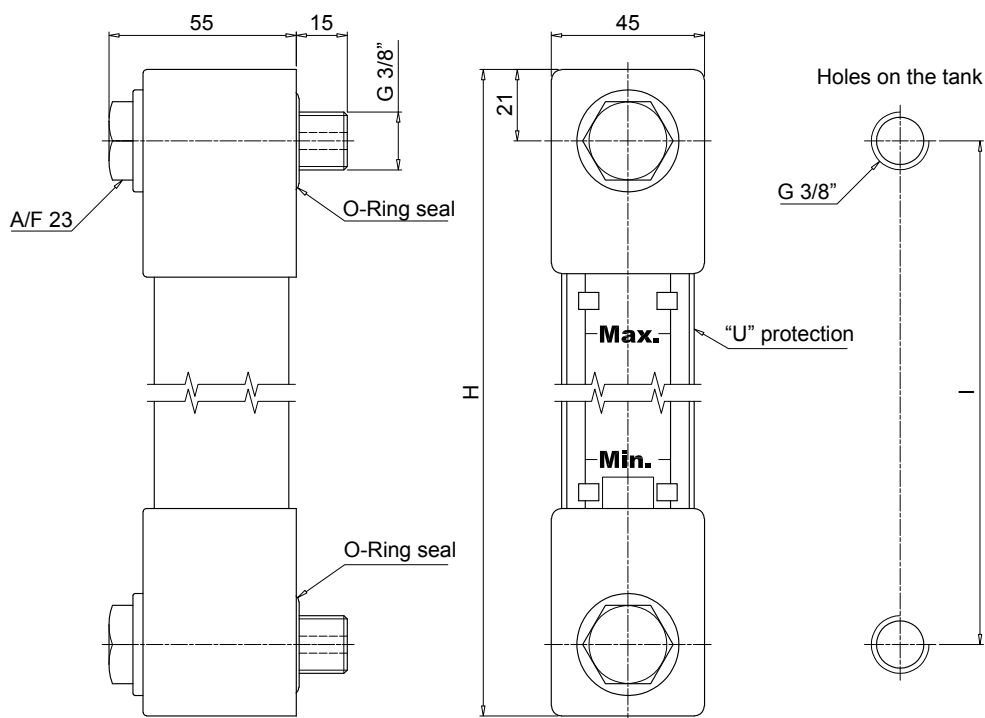
## Designation & Ordering code

### COMPLETE VISUAL OIL LEVEL INDICATORS

Series	Configuration example :					
<b>LVU</b>	LVU	0500	U	A	10	P01
<b>Size</b>						
<b>0500</b>	Distance between center = 500 mm					
<b>1000</b>	Distance between center = 1000 mm					
<b>1500</b>	Distance between center = 1500 mm					
<b>2000</b>	Distance between center = 2000 mm					
Different sizes on request						
<b>Body</b>	Size					
	500	1000	1500	2000		
<b>S</b>	Standard plexiglass					
<b>U</b>	Plexiglass, with "U" protection					
<b>P</b>	Borosilicate glass, with "U" protection					
<b>Seals</b>						
<b>A</b>	NBR					
<b>V</b>	FPM					
<b>Connections</b>						
<b>10</b>	G 3/8"					
<b>20</b>	G 3/8", with drain valve					
<b>Execution</b>						
<b>P01</b>	MP Filtri standard					
<b>Pxx</b>	Customized					

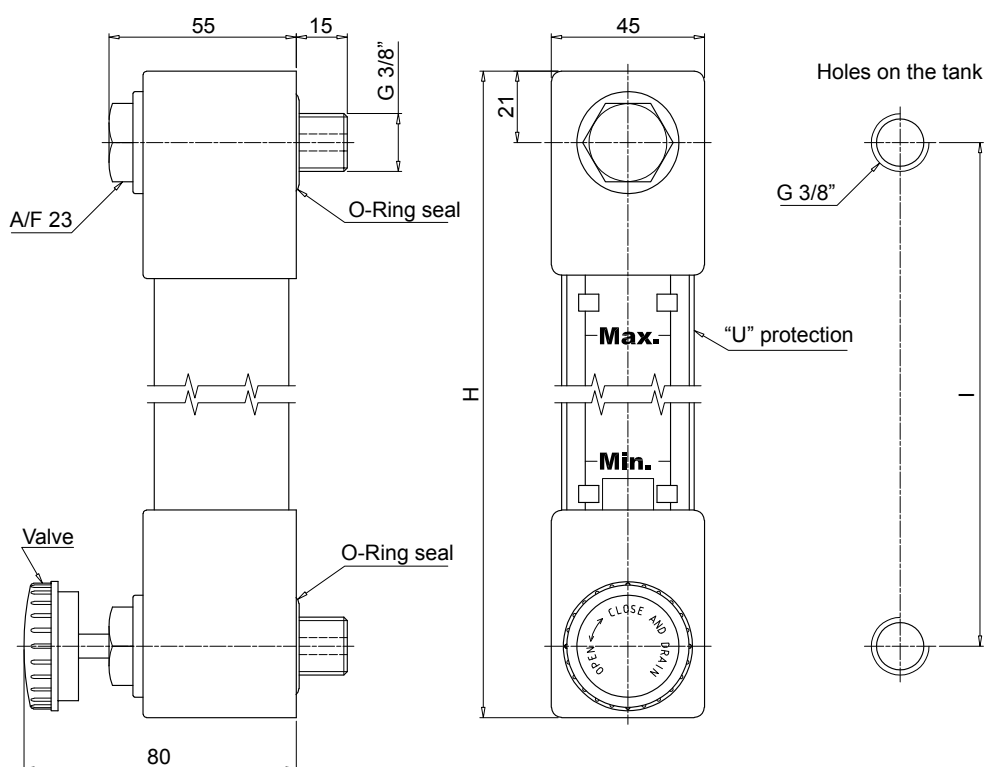


### Without drain valve connection Port Size 10



LVU		
Size	H [mm]	I [mm]
0500	542	500
1000	1042	1000
1500	1542	1500
2000	2042	2000

### With drain valve connection Port Size 20



# WORLDWIDE NETWORK

CANADA ♦ CHINA ♦ FRANCE ♦ GERMANY ♦ INDIA ♦ SINGAPORE  
UNITED ARAB EMIRATES ♦ UNITED KINGDOM ♦ USA



PASSION  PERFORM

in   



[mpfiltri.com](http://mpfiltri.com)  
Scan or click me!

MP Filtri reserves the right to make modifications to the models and versions of the described products at any time for both technical and/or commercial reasons. For updated information please visit our website: [www.mpfiltri.com](http://www.mpfiltri.com). The colors and the pictures of the products are purely indicative. Any reproduction, partial or total, of this document is strictly forbidden. All rights are strictly reserved.

MF00100034  
EN - 2025.02