

Accessories & Spare parts list

RDU 2.0**ICM-USBi
ICM-ETHi****ICM-FC1****SK0040****FLUID SAMPLING BOTTLES****PRESSURE & WASTE HOSES****444.053000**

ACCESSORIES & SPARE PARTS LIST

Description (product types)	Ordering Code
Calibration Verification Fluid (requires use of Bottle Sampling device)	PCCF
CMP Hydraulic connections / options:	
M16x2 microbore pressure hose, plated steel, 600 mm (M versions)	95.Y30Y30X261060
M16x2 microbore pressure hose, plated steel, 1500 mm (M versions)	95.Y30Y30X261150
M16x2 microbore pressure hose, stainless steel, 600 mm (N versions)	95.Y30Y30X161060
M16x2 microbore pressure hose, stainless steel, 1500 mm (N versions)	95.Y30Y30X161150
Waste Hose (M versions), 2000 mm - Brass / FKM	SK0014S30
Waste Hose (N versions), 2000 mm - Stainless Steel / FKM	SK0014S30N
Waste Hose (S versions), 2000 mm - Stainless Steel / FFKM	SK0014S30S
Offline Hose Assembly	481,027000
Pouch for pressure hose/waste hose	7,106
M16x2 M to F Coarse Screen Filter (M and N versions)	SK0040
G1/4 F to F coarse screen filter (M/N/S versions)	11,615
M16x2 M to F Coarse Screen Filter (S versions)	SK0041
Airbus adaptor with test point	SKAA02
Waste Bottle:	
1 Litre - Round	SK0012
1 Litre - Square (for use with CB0001)	SK0013
Communications:	
Pre-wired 5 m cable	11.445-05
Pre-wired 10 m cable	11.445-10
3 m twisted pair cable assembly	11,112
Serial cable to USB converter	SK0026
PC Download cable	6,123
USB A-B cable	11,081
Bluetooth Portable Printer	482,016000
1 m USB A to C Cable	443,074000
ICMKAZ2 to USBi conversion kit - not to be used in zoned areas	11,645
USB stick with all user guides	13,055001
Offline sampling equipment:	
Disposable Dip tubes - pack of 50	BS0018
Hand Pump (for use with 100 ml or P.0* bottles)	BS0020
Hand Pump Hose - 1000 mm	BS0022
Bottle Sampler hand pump and hose kit (for use with 100 ml or P.0* bottles)	BS0024
100 ml Standard Brown Glass Bottle	BS0016
Tray of 72 x 100 ml Standard Brown Glass Bottles	BS0072
100 ml Clear Plastic Bottle	7,111
Box of 20 x 100 ml Clear Plastic Bottles	7,112
250 ml Standard Clear Glass Bottle	8,054
Box of 20 x 250 ml Standard Clear Glass Bottles	8.054-20
500 ml Standard Clear Glass Bottle	8,328
DIN/ISO5584/ISO3722 certified clean, 100 ml clear glass bottle	P.02
DIN/ISO5584/ISO3722 certified clean, 100 ml clear glass bottle - Box of 25	P.0225
DIN/ISO5584/ISO3722 certified clean, 250 ml clear glass bottle	P.03
DIN/ISO5584/ISO3722 certified clean, 250 ml clear glass bottle - Box of 25	P.0320

ACCESSORIES & SPARE PARTS LIST

Description (product types)	Ordering Code
Power Options:	
12V. 2A Power Adapter - UK/EU/US/CN/AUS	6,209
19V. 3A Power Adapter	61,034000
12V. 5A Power Adapter for 500 ml Bottle Sampler	8,029
UK Lead for 8.029	8,031
EU Lead for 8.029	8,032
US Lead for 8.029	8,030
CN/AUS Lead for 8.029	8,072
Microscope power adaptor	444,033000
Other:	
Thermal printer paper 57x33 mm	63,083000
Thermal paper roll 57x51 mm	6,160
LPA2 Aviation Edition travel case without foam	TC0005
Replacement foam insert for TC0005	6,300
Heavy-duty orange pelicase	443.061E20
Pelicase foam insert	443,062020
Self-adhesive patch test covers	444,029001
Patch test membranes - 1.2 micron filter	444,010000
Spray bottle	444.018J10
Stainless steel tweezers	444,011120
Waste bottle	444.032J00
Reuseable Nalgene filter assembly	444,024000
0.01 mm Calibration slides	444,025000
Heavy Duty Travel Case for Bottle Sampler	TC00055B
Hose - 8 x 6 mm Nalgene vacuum cable	444,026000
Hose - 6 x 4 mm Hand pump sampling cable	7,107
Microscope camera - 1.3 MP	444,016010
Serial plate for patch imaging kit	484,314000
A5 document wallet	444,027001
Patch test report card	444,028001
Electric vacuum pump	444,053000
CML Carry Bag	10,011
LPA3 Carry Bag	63,088000
LPA2 Carry Bag	CB0001
Black support case (without contents)	BS0040
Heavy Duty Travel Case for Bottle Sampler	TC00055B
ICU / ICS Cable M12 4 pin 1.5 m	13.061000
Last chance filter disc - for 11.615/SK0040/SK0041	483.024000

Description

Remote Display Unit

Depending on your application, access and visibility of particle counting equipment can sometimes be an issue. The ICM-RDU has specially been developed to dovetail with its parent ICM 2.0. So you have the option to control and monitor the ICM 2.0 remotely. Supplied with a 10m cable as standard.

Features & Benefits

- Large backlit display
- Keypad interface
- Robust die-cast aluminium construction

Scope of Supply

- 1 x ICMRDU2.0
- 1 x 10m Twisted Pair Cable Assembly
- 1 x Digital copy of user guides/software/drivers

Status LED

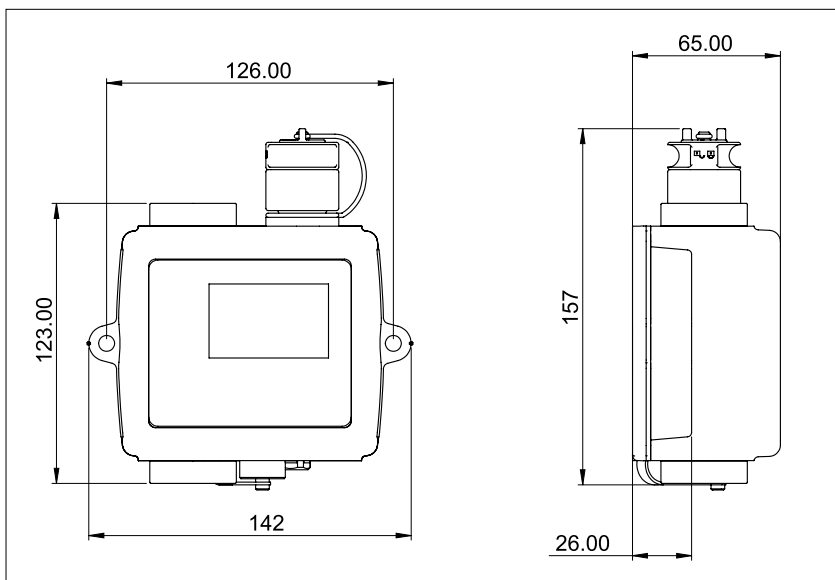
All RDU 2.0 versions have a multicolour indicator on the front panel, which is used to indicate the status or alarm state. RDU-K versions also have a screen that changes colour. The alarm thresholds can be set from LPA-View via the serial interface.

Screen and multicolor indicators

- Green indicates that the test result passed, i.e. none of the alarm thresholds were exceeded
- Yellow indicates that the lower cleanliness limit was exceeded, but not the upper one
- Red indicates that the upper cleanliness limit was exceeded
- Blue indicates that the upper water content limit was exceeded
- Red/Blue Alternating indicates both cleanliness and water content upper limits exceeded
- Violet indicates that the upper temperature limit was exceeded



Dimensions



Designation & Ordering code

RDU 2.0

Configuration:

Description

Electric Vacuum Pump

MP Filtri's Patch Imaging Kit is available with an optional electric pump (spares number: 444.053000). The pump is available with power options for the UK, EU, US, AUS/CN.

Used with PIK



Designation & Ordering code

444.053000

Configuration: 444.053000

ICM-FC1

Description

Flow Control Valve

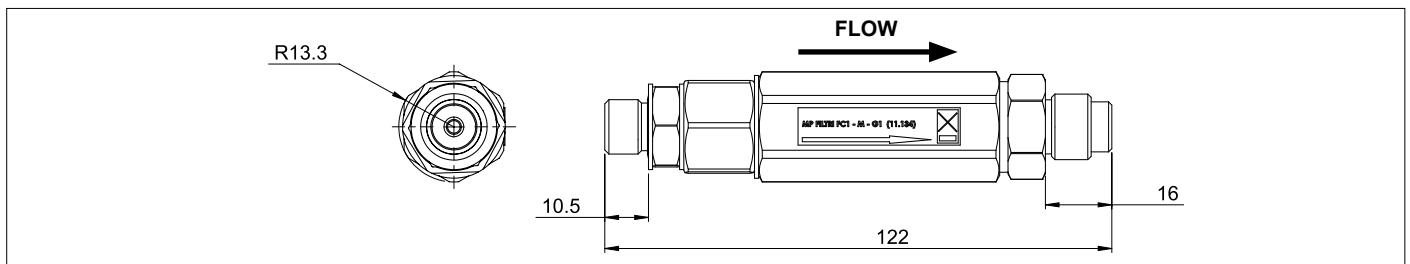
The FC1 is a pressure compensated flow control valve which can operate across a range of fluid types and is compatible with the ICM where flow rate exceeds operating parameters. Max pressure rating 400 bar at normal hydraulic system temperatures.

Features & Benefits

- Pressure compensated
- Regulates flow to within ICM specification
- Various connection options
- Viscosity independent
- Hexagonal form for ease of installation



Dimensions



Designation & Ordering code

ICM-FC1

Series	Configuration example: ICM-FC1		
ICM-FC1	M	G1	
Fluid compatibility			
M Mineral oil			
N Offshore fluids			
S Phosphate ester			
Connections			
G1 ICM complete with M16x2 pressure test point connections fitted			
G3 1/4" BSP - Female port			
G4 7/16" UNF - Female port			

Description

Auxiliary Communication Options

We offer four auxiliary communication devices to operate with the ICM 2.0:

ICM-USBi:

Two auxiliary communication devices are available to order with the ICM. A USB interface which allows for communication via a laptop (RS485 to RS232 converter) & an ethernet device for remote access via a network hub.

ICM-ETHi:

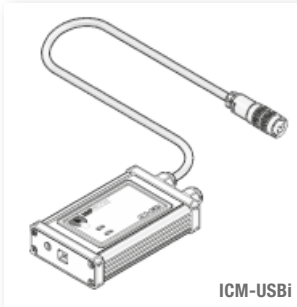
An ethernet device enables remote access via a network hub via Com Port redirection software.

Both devices can transmit power to the ICM/RDU electrical circuit using a DC power adapter.

The USBi has the additional benefit of supplying power via the USB cable directly. Both devices come with a DC Power adapter and 3m twisted pair cable as standard.

Features & Benefits

- Compact
- Off the shelf solution
- Robust aluminium construction



Plug and play technology

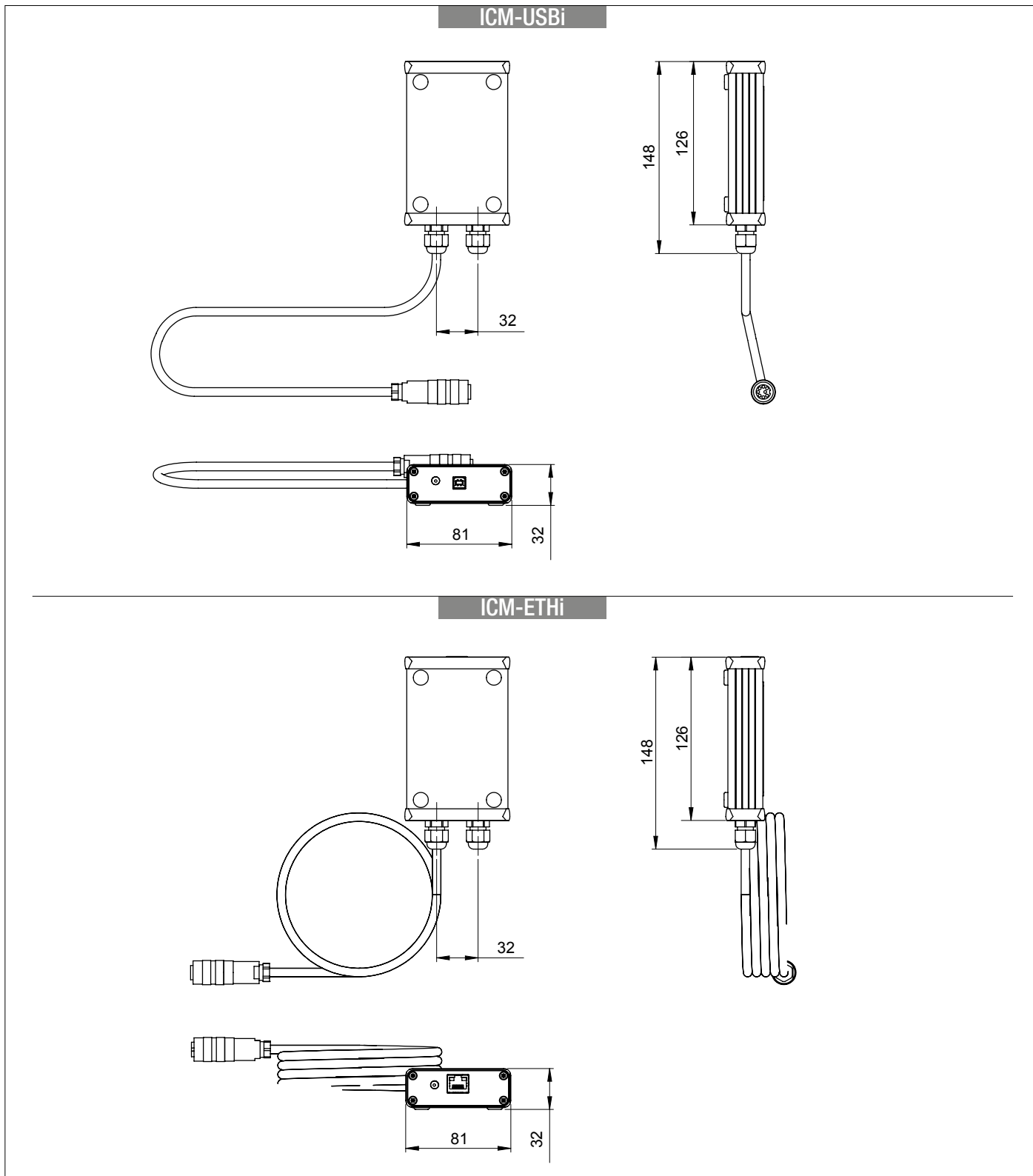
- Robust aluminium construction
- Compact
- Provided with a twisted cable conductors 8, length 3m.
- All devices can transmit power to the ICM/RDU electrical circuit using the supplied DC power adapter.

ICM-USBi



ICM-ETHi





Designation & Ordering code

ICM-USBi & ICM-ETHi

Configuration: ICM USBi
 ICM ETHi

Description

Screen Filter

The SK0040 coarse screen filter adapter is designed to limit the ingress of large particles into MP Filtri's range of Contamination Monitoring Products (CMP).

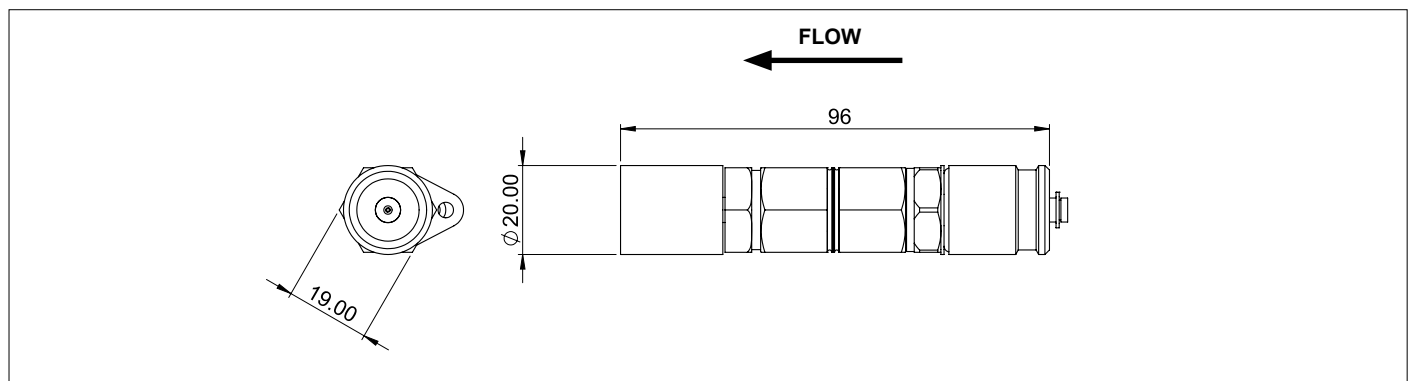
Features & Benefits

- Part number: SK0040
- Inlet connection: M16x2 male test point
- Outlet connection: M16x2 female thread form
- Pressure rating: 400 bar
- Mesh rating: 600 µm



Used with
LPA3, LPA2, CML4, CML2, ICM4.0 and ICM 2.0

Dimensions



Designation & Ordering code

SK0040 - SK0041

Configuration: **SK0040** In-line Coarse Screen Assembly: M & N version

SK0041 In-line Coarse Screen Assembly: S version

Description

Features & Benefits

We supply laboratory standard and certified clean sampling bottles. 100 ml, 210 ml and 500 ml bottle sizes are available and are easily incorporated into our range of bottle samplers.



Designation & Ordering code

BS110 - BS500

For ordering codes see "Tank Accessorie Catalogue" at page 86 for BS110 and page 90 for BS500.

PRESSURE & WASTE HOSES

Description

Features & Benefits

Replacement hoses.

Pressure Hose

M16x2 Micro bore pressure hose by length (various available) long Plated steel (alternative material options available)

Pressure hoses are able to connect MP Filtri products directly to your hydraulic systems.

- LPA3
- LPA2
- CML4
- CML3
- CML2
- ICM 4.0
- ICM 2.0
- BS110 & BS500



Waste Hose

Length: 2000 mm

OD: 8 mm

ID: 5 mm

Standard material: Polyurethane*

Fitting type: Quick release coupling (brass as standard)

*Other versions available to suit the M, N and S versions of CMP

- LPA3
- LPA2
- CML4
- CML3
- CML2



WORLDWIDE NETWORK

CANADA ♦ CHINA ♦ FRANCE ♦ GERMANY ♦ INDIA ♦ SINGAPORE
UNITED ARAB EMIRATES ♦ UNITED KINGDOM ♦ USA



PASSION T PERFORM

in @ y f



mpfiltri.com
Scan or click me!

MP Filtri reserves the right to make modifications to the models and versions of the described products at any time for both technical and/or commercial reasons. For updated information please visit our website: www.mpfiltri.com. The colors and the pictures of the products are purely indicative. Any reproduction, partial or total, of this document is strictly forbidden. All rights are strictly reserved.