



THE X CONCEPT FOR OUR FILTERS

Protect the performance of your system with MYclean.
Quality and efficiency are fundamental for MP Filtri:
this exclusive new filter element possesses polygon shape geometry and specific seal
that ensures only original spare parts can be used - ensuring correct operation and
higher system reliability.

RFEX series

with MYCLEAN FEX Filter Element



- **Protects the machine from improper use of non-original products.**
- **Safety of constant quality protection & reliability**

With exclusive filter element you are sure that only MP Filtri filter elements can be used, ensuring the best cleaning level of the oil due to the use of originals filter elements.



The products identified as RFEX are protected by:

- Italian Patent n° 102014902261205
- Canadian Patent n° 2,937,258
- European Patent n° 3 124 092 B1
- US Patent n° 20170030384 A1

RFEX series

Maximum working pressure up to 1.6 MPa (16 bar) - Flow rate up to 260 l/min

 ELIXIR®

Description

Technical data

Return filter

Maximum working pressure up to 1.6 MPa (16 bar)
Flow rate up to 260 l/min

RFEX is a range of return filters for protection of the reservoir against the system contamination. They are mounted in line to limit aeration or foam generation into the reservoir.

Available features:

- Female threaded connections up to 1 1/4" and flanged connections up to 1 5/8", for a maximum flow rate of 260 l/min
- Fine filtration rating, to get a good cleanliness level into the reservoir
- Bypass valve, to relieve excessive pressure drop across the filter media
- Visual, electrical, axial and radial pressure gauges
- MYclean interface connection for the filter element, to protect the product against non-original spare parts
- External protective wrap, to optimize the flow through the element and to save the element efficiency against non-proper handling

Common applications:

- Light Industrial equipment
- Mobile application

Filter housing materials

- Head: Aluminium
- Bypass valve: Polyamide - Steel
- Bowl: Polyamide

Bypass valve

Opening pressure 175 kPa (1.75 bar) $\pm 10\%$

Δp element type

- Microfibre filter elements - series N: 8 bar
- Fluid flow through the filter element from OUT to IN

Seals

Standard NBR series A

Temperature

From -25 °C to +110 °C

Note

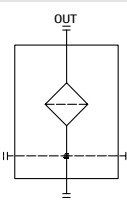
RFEX filters are provided for vertical mounting

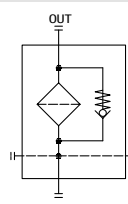
Weights [kg] and volumes [dm³]

Filter series	Weights [kg]	Volumes [dm ³]
RFEX 060	1.00	0.60
RFEX 080	1.15	0.80
RFEX 110	1.90	1.60
RFEX 160	2.10	2.00

Hydraulic symbols

Filter series	Style S	Style B
RFEX 060	•	•
RFEX 080	•	•
RFEX 110	•	•
RFEX 160	•	•





Filter element design - N Series

Filter series	A10	A16	A25	M60	M90	P10	P25
RFX 060	52	53	55	71	72	54	59
RFX 080	59	59	62	73	74	65	68

Connections of filter under test G 3/4"

Filter series	A10	A16	A25	M60	M90	P10	P25
RFX 060	60	61	64	87	89	62	77
RFX 080	69	70	75	91	92	79	93

Connections of filter under test G 1"

Filter series	A10	A16	A25	M60	M90	P10	P25
RFX 110	141	153	172	250	252	186	196
RFX 160	166	168	191	255	256	207	215

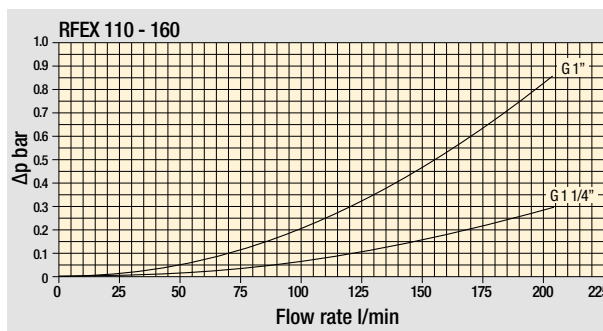
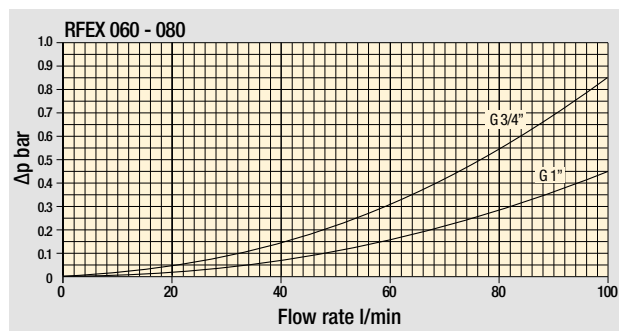
Connections of filter under test G 1 1/4"

Maximum flow rate for a complete return filter with a pressure drop $\Delta p = 0.5$ bar.

The reference fluid has a kinematic viscosity of 30 mm²/s (cSt) and a density of 0.86 kg/dm³.

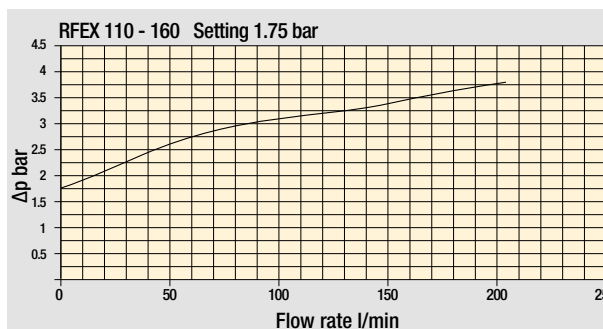
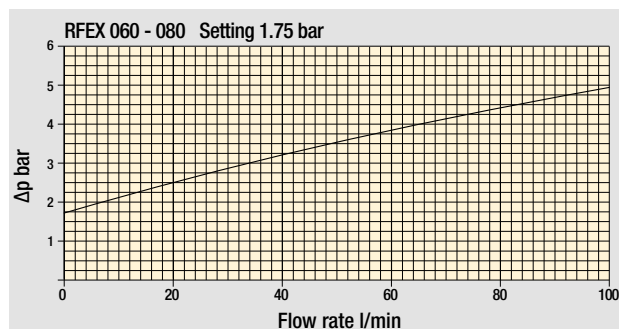
For different pressure drop or fluid viscosity we recommend to use our selection software available on www.mpfiltri.com.

Please, contact our Sales Department for further additional information.



Pressure drop

Filter housings
 Δp pressure drop



Bypass valve
pressure drop

The curves are plotted using mineral oil with density of 0.86 kg/dm³ in compliance with ISO 3968.

Δp varies proportionally with density.

RFEX RFEX060 - RFEX080

Designation & Ordering code

COMPLETE FILTER

Configuration example: **RFEX060** **B** **A** **A** **6** **A10** **N** **P01**

Series and size									
RFEX060	Filter featuring Filter Element								
RFEX080	Filter featuring Filter Element								
Bypass valve									
S	Without bypass								
B	1.75 bar								
Seals and treatments									
A	NBR								
Connections									
A	G 3/4"								
B	G 1"								
C	3/4" NPT								
D	1" NPT								
E	SAE 12 - 1 1/16" - 12 UN								
F	SAE 16 - 1 5/16" - 12 UN								
Connection for clogging indicator									
6	With plugged connections								
Filtration rating									
A10	Inorganic microfiber 10 µm	P10	Resin impregnated paper 10 µm						
A16	Inorganic microfiber 16 µm	P25	Resin impregnated paper 25 µm						
A25	Inorganic microfiber 25 µm								
M60	Wire mesh 60 µm								
M90	Wire mesh 90 µm								
		Element Δp						Execution	
		N	8 bar					P01	MP Filtri standard
								Pxx	Customized

FILTER ELEMENT

Configuration example: **FEX060** **A10** **A** **N** **P01**

Element series and size									
FEX060	Filter Element with feature								
FEX080	Filter Element with feature								
Filtration rating									
A10	Inorganic microfiber 10 µm	P10	Resin impregnated paper 10 µm						
A16	Inorganic microfiber 16 µm	P25	Resin impregnated paper 25 µm						
A25	Inorganic microfiber 25 µm								
M60	Wire mesh 60 µm								
M90	Wire mesh 90 µm								
Seals and treatments									
A	NBR								
		Element Δp						Execution	
		N	8 bar					P01	MP Filtri standard
								Pxx	Customized

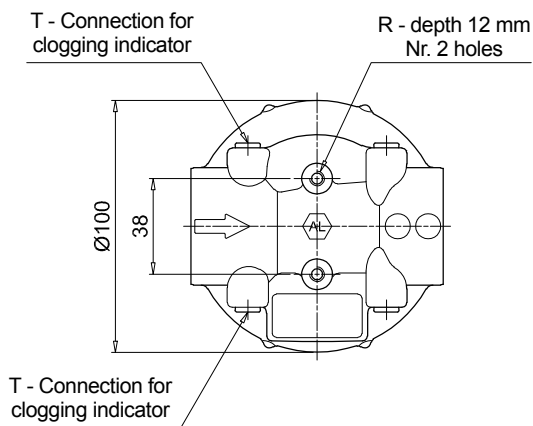
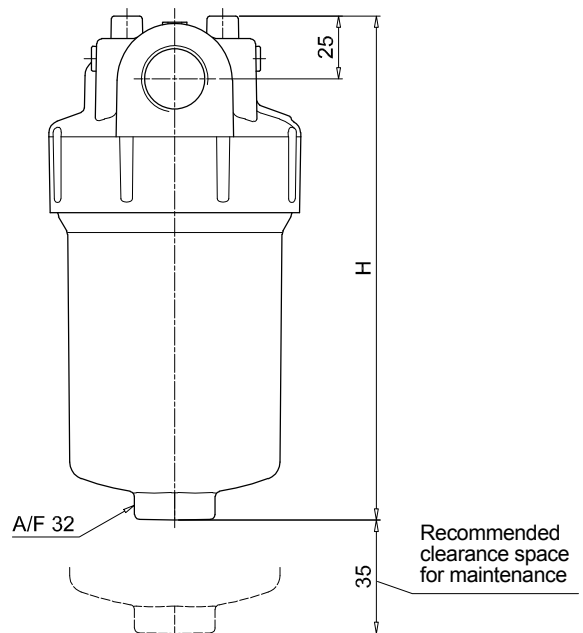
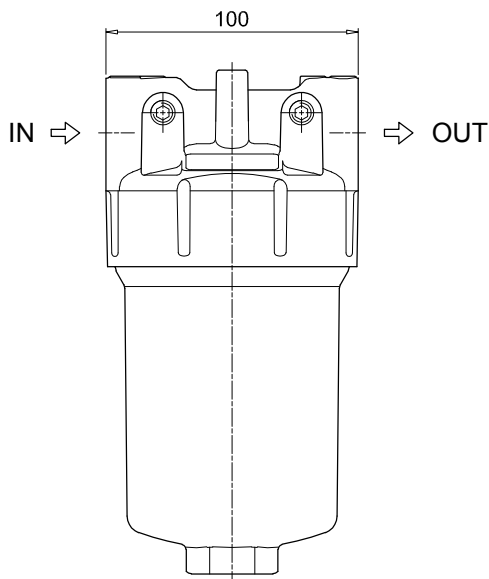
CLOGGING INDICATORS

See page 710-711

BEA	Electrical pressure indicator	BVA	Axial pressure gauge
BEM	Electrical pressure indicator	BVR	Radial pressure gauge
BLA	Electrical / visual pressure indicator	BVP	Visual pressure indicator with automatic reset
		BVQ	Visual pressure indicator with manual reset

Filter size	H [mm]	
060	202	
080	265	

Connections	T	R
A	G 1/8"	M6
B	G 1/8"	M6
C	1/8" NPT	1/4" UNC
D	1/8" NPT	1/4" UNC
E	1/8" NPT	1/4" UNC
F	1/8" NPT	1/4" UNC



RFEX RFEX110 - RFEX160

Designation & Ordering code

COMPLETE FILTER

Series and size Configuration example: **RFEX110** **B** **A** **A** **6** **A10** **N** **P01**

RFEX110 Filter featuring  Filter Element

RFEX160 Filter featuring  Filter Element

Bypass valve

S Without bypass

B 1.75 bar

Seals and treatments

A NBR

Connections

A G 1"

B G 1 1/4"

C 1" NPT

D 1 1/4" NPT

E SAE 16 - 1 5/16" - 12 UN

F SAE 20 - 1 5/8" - 12 UN

Connection for clogging indicator

6 With plugged connections

Filtration rating

A10 Inorganic microfiber 10 µm

A16 Inorganic microfiber 16 µm

A25 Inorganic microfiber 25 µm

M60 Wire mesh 60 µm

M90 Wire mesh 90 µm

P10 Resin impregnated paper 10 µm

P25 Resin impregnated paper 25 µm

Element Δp

N 8 bar

Execution


P01 MP Filtri standard


Pxx Customized

FILTER ELEMENT

Element series and size

Configuration example: **FEX110** **A10** **A** **N** **P01**

FEX110 Filter Element with  feature

FEX160 Filter Element with  feature

Filtration rating

A10 Inorganic microfiber 10 µm

A16 Inorganic microfiber 16 µm

A25 Inorganic microfiber 25 µm

M60 Wire mesh 60 µm

M90 Wire mesh 90 µm

P10 Resin impregnated paper 10 µm

P25 Resin impregnated paper 25 µm

Seals and treatments

A NBR

Element Δp

N 8 bar

Execution

P01 MP Filtri standard

Pxx Customized

CLOGGING INDICATORS

See page 710-711

BEA Electrical pressure indicator

BEM Electrical pressure indicator

BLA Electrical / visual pressure indicator

BVA Axial pressure gauge

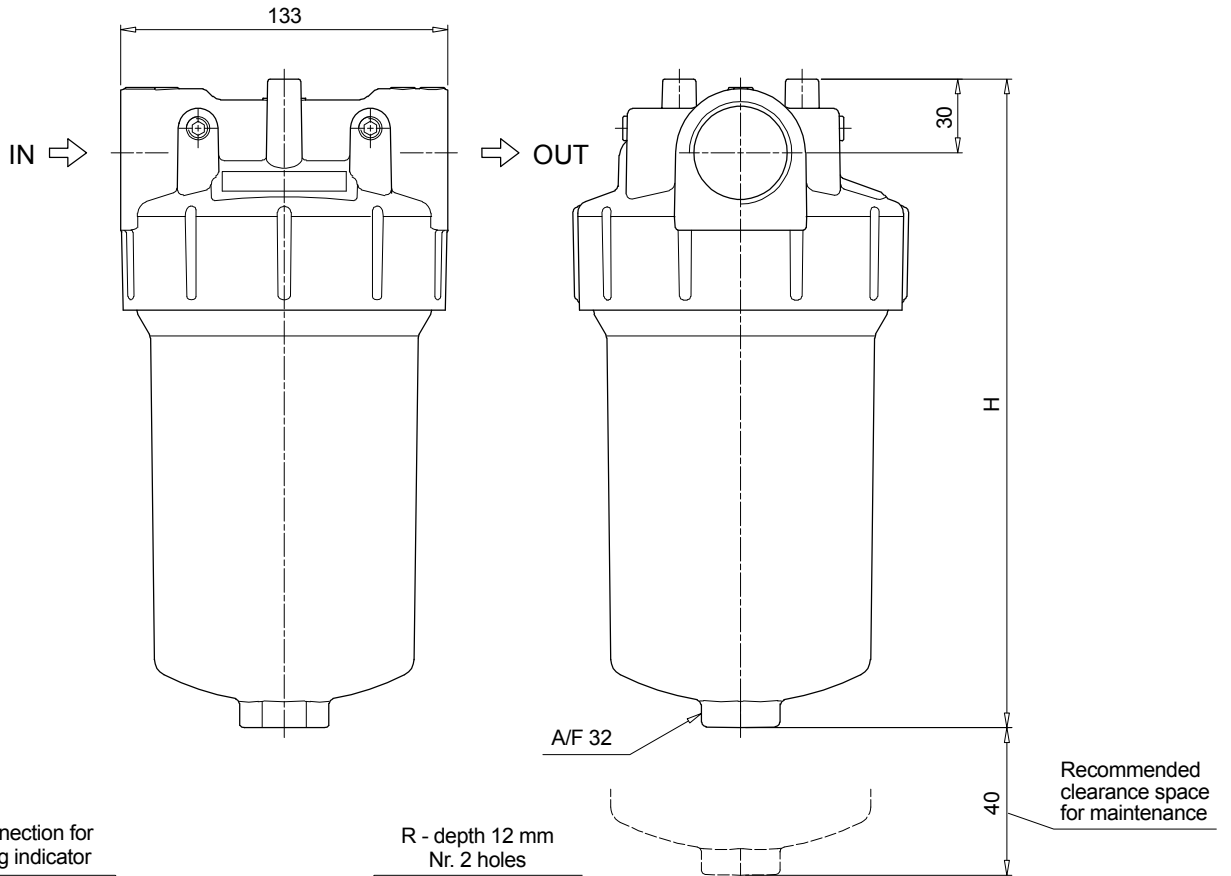
BVR Radial pressure gauge

BVP Visual pressure indicator with automatic reset

BVQ Visual pressure indicator with manual reset

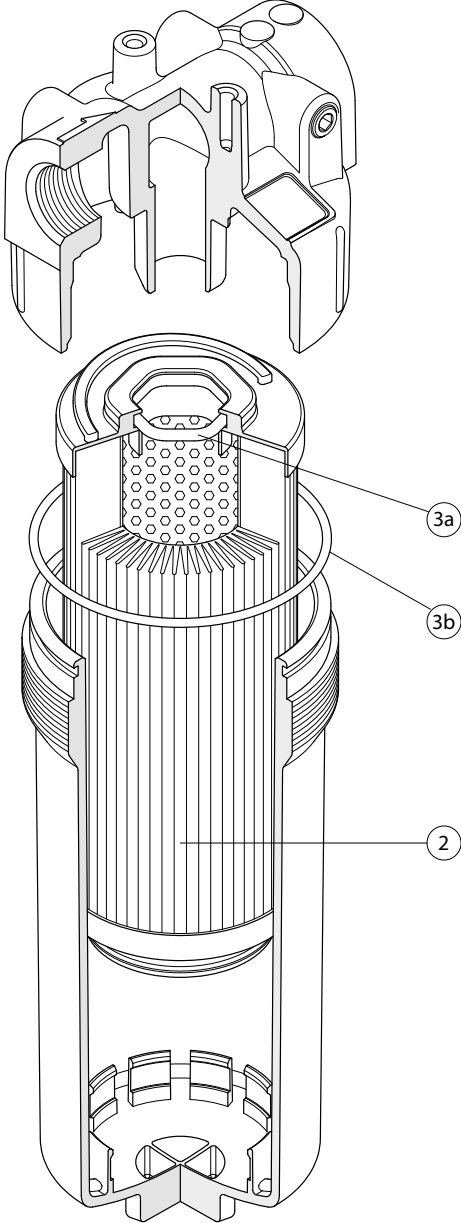
Filter size	H [mm]	
110	266	
160	315	

Connections	T	R
A	G 1/8"	M8
B	G 1/8"	M8
C	1/8" NPT	5/16" UNC
D	1/8" NPT	5/16" UNC
E	1/8" NPT	5/16" UNC
F	1/8" NPT	5/16" UNC



RFEX SPARE PARTS

Order number for spare parts



Item:	Q.ty: 1 pc.	Q.ty: 1 pc.
	2	3 (3a ÷ 3b)
Filter series	Filter element	Seal Kit code number NBR
RFEX 060-080	See order table	02050771
RFEX 110-160		02050772

