



THE **X** CONCEPT FOR OUR FILTERS

Protect the performance of your system with MYclean.
Quality and efficiency are fundamental for MP Filtri:
this exclusive new filter element possesses polygon shape geometry and specific seal
that ensures only original spare parts can be used - ensuring correct operation and
higher system reliability.

LFEX series

with **MYCLEAN** FEX Filter Element



- **Protects the machine from improper use of non-original products.**
- **Safety of constant quality protection & reliability**

With exclusive filter element you are sure that only MP Filtri filter elements can be used, ensuring the best cleaning level of the oil due to the use of originals filter elements.



The products identified as LFEX are protected by:

- Italian Patent n° 102014902261205
- Canadian Patent n° 2,937,258
- European Patent n° 3 124 092 B1
- US Patent n° 20170030384 A1

LFEX series

Maximum working pressure up to 1.6 MPa (16 bar) - Flow rate up to 300 l/min



ELIXIR®

INSTALLATION, SERVICE AND MAINTENANCE MANUAL AND SAFETY INSTRUCTIONS



Please scan the QR codes to get updated electronic version of the related document:



LFEX060



LFEX080



LFEX110



LFEX160

Description

Technical data

Low & Medium Pressure filters

Maximum working pressure up to 1.6 MPa (16 bar)
Flow rate up to 300 l/min

LFEX is a range of low pressure filter for protection of sensitive components in low pressure hydraulic systems. They are also suitable for the off-line filtration of small reservoirs. They are directly connected to the lines of the system through the hydraulic fittings.

Available features:

- Female threaded connections up to 1 1/4" and SAE connections up to 1 5/8", for a maximum flow rate of 300 l/min
- Fine filtration rating, to get a good cleanliness level into the system
- Water removal elements, to remove the free water from the hydraulic fluid
- Bypass valve, to relieve excessive pressure drop across the filter media
- NEW Visual and electrical differential clogging indicators, capable to hold the overall dimension
- MYclean interface connection for the filter element, to protect the product against non-original spare parts
- External protective wrap, to optimize the flow through the element and to save the element efficiency against non-proper handling

Common applications:

Delivery lines, in any low pressure industrial equipment or mobile machines

Filter housing materials

- Head: Aluminium
- Bypass valve: Polyamide - Steel
- Bowl: Polyamide

Bypass valve

Opening pressure 350 kPa (3.5 bar) \pm 10%

Δp element type

- Microfibre filter elements - series N: 8 bar
- Fluid flow through the filter element from OUT to IN

Seals

Standard NBR series A

Temperature

From -25 °C to +110 °C

Note

LFEX filters are provided for vertical mounting

Weights [kg] and volumes [dm³]

Filter series	Weights [kg]	Volumes [dm ³]
LFEX 060	1.00	0.60
LFEX 080	1.15	0.80
LFEX 110	1.90	1.60
LFEX 160	2.10	2.00

Hydraulic symbols

Filter series	Style S	Style B
LFEX 060	•	•
LFEX 080	•	•
LFEX 110	•	•
LFEX 160	•	•

Flow rates [l/min]

Filter element design - N Series

Filter series	A03	A06	A10	A16	A25	M25	M60	M90	P10	P25
LFE^X 060	49	51	75	77	80	104	105	107	74	95
LFE^X 080	67	67	86	87	92	107	108	110	96	112

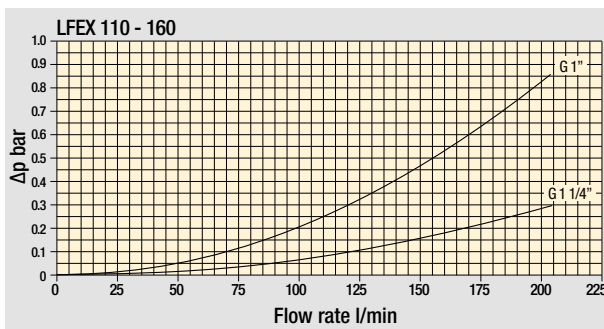
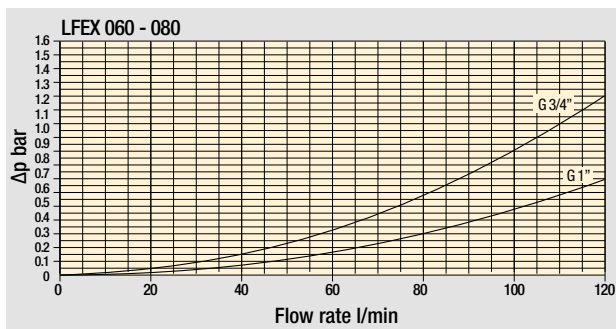
Filter series	A03	A06	A10	A16	A25	M25	M60	M90	P10	P25
LFE^X 110	107	115	182	195	216	295	298	300	232	242
LFE^X 160	146	150	210	212	237	300	303	304	254	262

Maximum flow rate for a complete delivery filter with a pressure drop $\Delta p = 0.7$ bar.

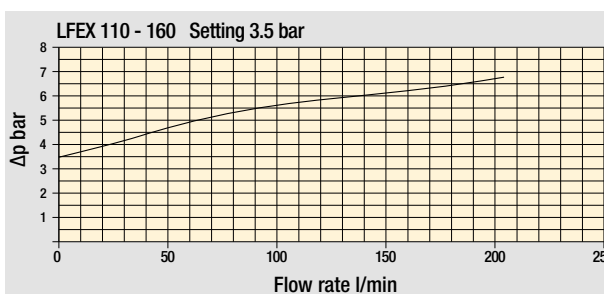
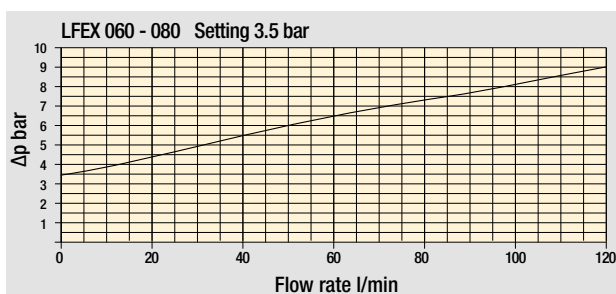
The reference fluid has a kinematic viscosity of 30 mm²/s (cSt) and a density of 0.86 kg/dm³.

For different pressure drop or fluid viscosity we recommend to use our selection software available on www.mpfiltri.com.

Please, contact our Sales Department for further additional information.



Pressure drop
Filter housings
 Δp pressure drop




Bypass valve
pressure drop

The curves are plotted using mineral oil with density of 0.86 kg/dm³ in compliance with ISO 3968.
 Δp varies proportionally with density.

Designation & Ordering code

COMPLETE FILTER

Series and size Configuration example: **LFEX060** **B** **A** **A** **6** **A10** **N** **P01**

LFEX060 | **LFEX080** Filter featuring  Filter Element

Bypass valve

S Without bypass

B With bypass 3.5 bar

Seals and treatments

A NBR

Connections

A G 3/4"

B G 1"

C 3/4" NPT

D 1" NPT

E SAE 12 - 1 1/16" - 12 UN

F SAE 16 - 1 5/16" - 12 UN

Connection for clogging indicator

1 Without

6 With plugged connections

Filtration rating

A03 Inorganic microfiber	3 µm	M25 Wire mesh	25 µm
A06 Inorganic microfiber	6 µm	M60 Wire mesh	60 µm
A10 Inorganic microfiber	10 µm	M90 Wire mesh	90 µm
A16 Inorganic microfiber	16 µm	P10 Resin impregnated paper	10 µm
A25 Inorganic microfiber	25 µm	P25 Resin impregnated paper	25 µm


WA025 Water absorber inorganic microfiber 25 µm

Element Δp
N 8 bar

Execution
P01 MP Filtri standard
Pxx Customized

FILTER ELEMENT

Element series and size Configuration example: **FEX060** **A10** **A** **N** **P01**

FEX060 | **FEX080** Filter Element with  feature

Filtration rating

A03 Inorganic microfiber	3 µm	M25 Wire mesh	25 µm
A06 Inorganic microfiber	6 µm	M60 Wire mesh	60 µm
A10 Inorganic microfiber	10 µm	M90 Wire mesh	90 µm
A16 Inorganic microfiber	16 µm	P10 Resin impregnated paper	10 µm
A25 Inorganic microfiber	25 µm	P25 Resin impregnated paper	25 µm

WA025 Water absorber inorganic microfiber 25 µm

Seals and treatments

A NBR

Element Δp
N 8 bar

Execution
P01 MP Filtri standard
Pxx Customized

CLOGGING INDICATORS

See page 722

DES Electrical differential pressure indicator

DVS Visual differential pressure indicator

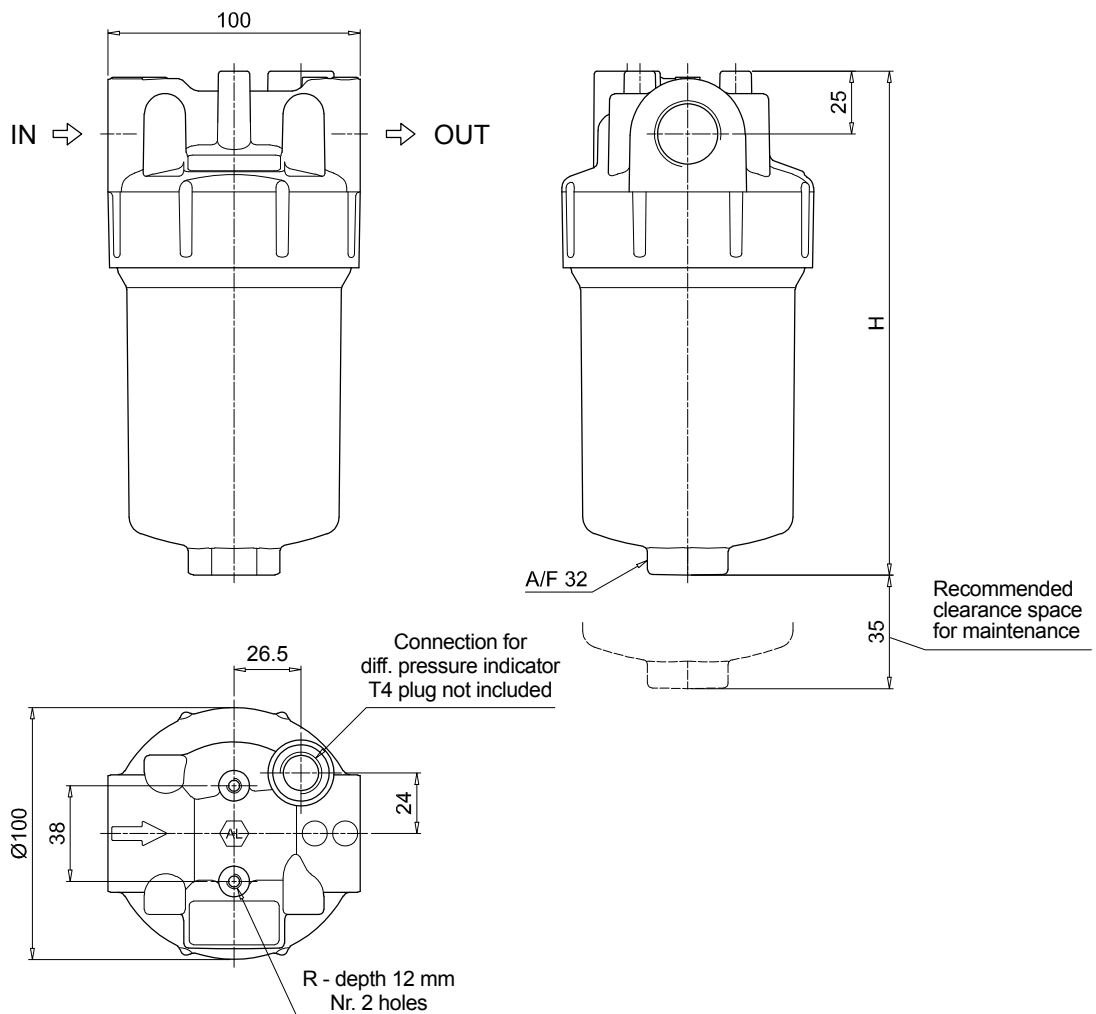
PLUGS

See page 743

T4 Plug

Filter size	H [mm]
060	202
080	265

Connections	R
A	M6
B	M6
C	1/4" UNC
D	1/4" UNC
E	1/4" UNC
F	1/4" UNC



LFEX LFEX110 - LFEX160

Designation & Ordering code

COMPLETE FILTER

Series and size Configuration example: **LFEX110** **B** **A** **A** **6** **A10** **N** **P01**

LFEX110 | **LFEX160** Filter featuring **MY CLEAN** Filter Element

Bypass valve

- S** Without bypass
- B** With bypass 3.5 bar

Seals and treatments

- A** NBR

Connections

- A** G 1"
- B** G 1 1/4"
- C** 1" NPT
- D** 1 1/4" NPT
- E** SAE 16 - 1 5/16" - 12 UN
- F** SAE 20 - 1 5/8" - 12 UN

Connection for clogging indicator

- 1** Without
- 6** With plugged connections

Filtration rating

A03 Inorganic microfiber	3 µm	M25 Wire mesh	25 µm
A06 Inorganic microfiber	6 µm	M60 Wire mesh	60 µm
A10 Inorganic microfiber	10 µm	M90 Wire mesh	90 µm
A16 Inorganic microfiber	16 µm	P10 Resin impregnated paper	10 µm
A25 Inorganic microfiber	25 µm	P25 Resin impregnated paper	25 µm

WA025 Water absorber inorganic microfiber 25 µm

Element Δp
N 8 bar

Execution
P01 MP Filtri standard
Pxx Customized

FILTER ELEMENT

Element series and size Configuration example: **FEX110** **A10** **A** **N** **P01**

FEX110 | **FEX160** Filter Element with **MY CLEAN** feature

Filtration rating

A03 Inorganic microfiber	3 µm	M25 Wire mesh	25 µm
A06 Inorganic microfiber	6 µm	M60 Wire mesh	60 µm
A10 Inorganic microfiber	10 µm	M90 Wire mesh	90 µm
A16 Inorganic microfiber	16 µm	P10 Resin impregnated paper	10 µm
A25 Inorganic microfiber	25 µm	P25 Resin impregnated paper	25 µm

WA025 Water absorber inorganic microfiber 25 µm

Seals and treatments

- A** NBR

Element Δp
N 8 bar

Execution
P01 MP Filtri standard
Pxx Customized

CLOGGING INDICATORS

See page 722

DES Electrical differential pressure indicator

DVS Visual differential pressure indicator

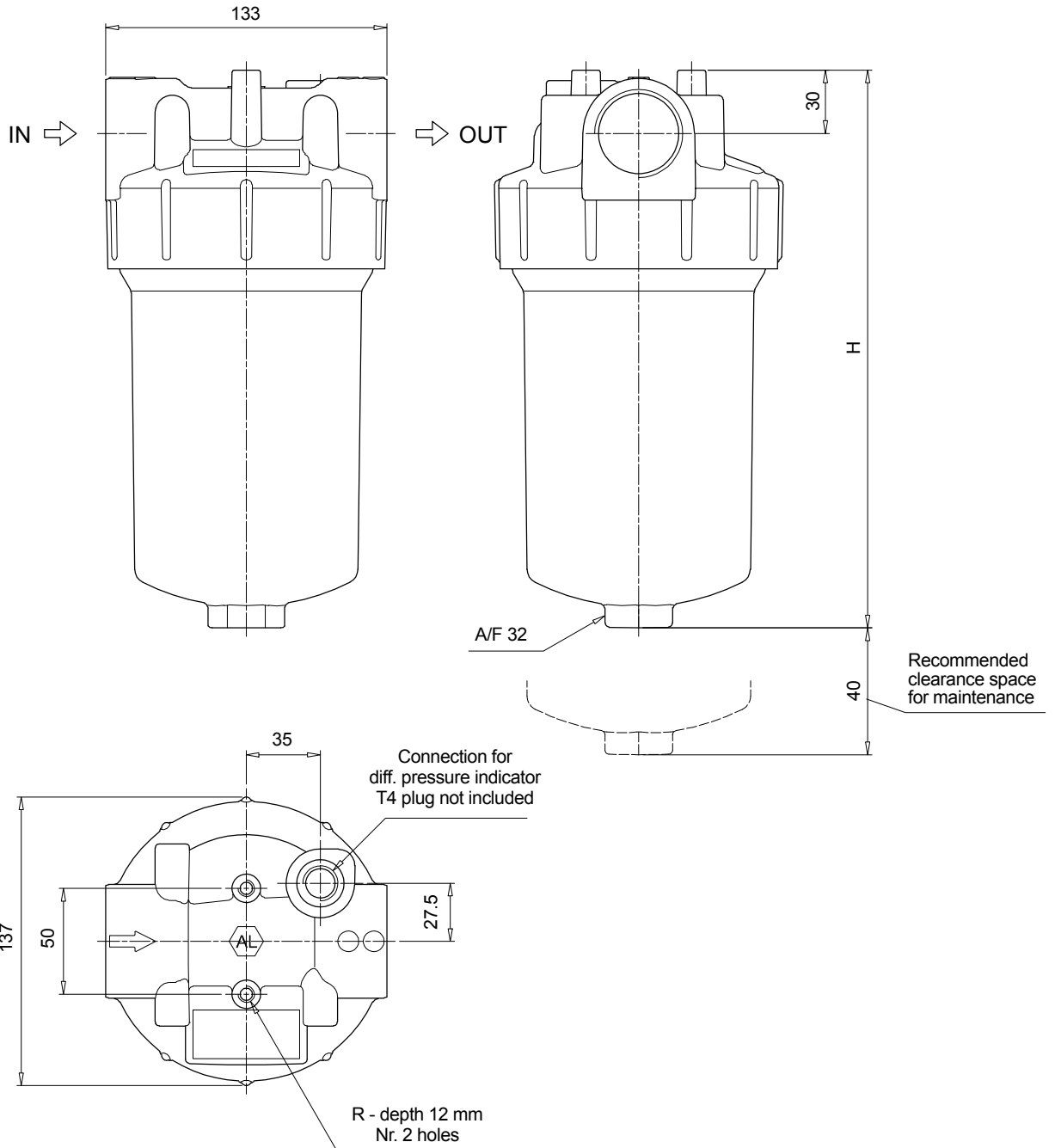
PLUGS

See page 743

T4 Plug

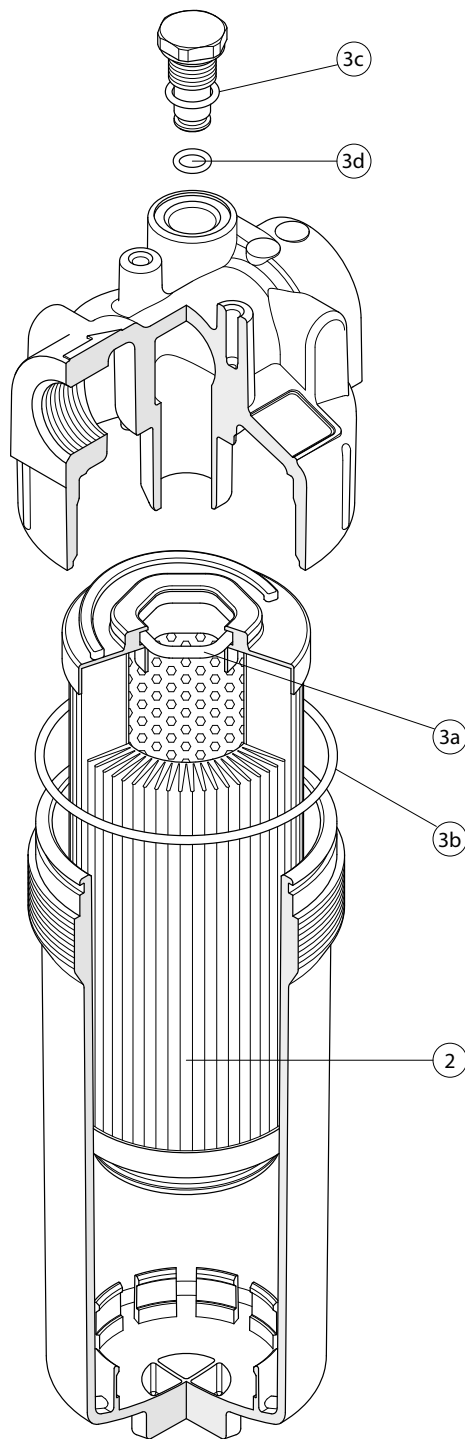
Filter size	H [mm]
110	266
160	315

Connections	R
A	M8
B	M8
C	5/16" UNC
D	5/16" UNC
E	5/16" UNC
F	5/16" UNC



LFEX SPARE PARTS

Order number for spare parts



Item:	Q.ty: 1 pc.	Q.ty: 1 pc.	Q.ty: 1 pc.
	2	3 (3a ÷ 3d)	4
Filter series	Filter element	Seal Kit code number NBR	Indicator connection plug NBR
LFEX 060-080	See order table	02050771	T4A
LFEX 110-160		02050772	

CLOGGING INDICATORS LOW & MEDIUM PRESS. FILTERS

Designation & Ordering code

DIFFERENTIAL PRESSURE INDICATORS

Series	Configuration example 1:	DE	M	20	H	F	50	P01	
DE Electrical differential pressure indicator	Configuration example 2:	DE	U	50	H	A	50	P01	UL
DL Electrical/Visual differential pressure indicator	Configuration example 3:	DL	E	50	V	A	71	P01	
DT Electronic differential pressure indicator	Configuration example 4:	DT	A	20	H	F	70	P01	
DV Visual differential pressure indicator	Configuration example 5:	DV	M	50	V			P01	

Type	DE	DL	DT	DV
A Standard type	•	•	•	A With automatic reset
M With wired electrical connection	•	-	-	M With manual reset
U Standard type 210 bar, UL certified	•	-	-	S With automatic reset
E For high power supply	-	•	-	
S Compact version	•	-	-	

Pressure setting	DEA	DEM	DEU	DES	DLA	DLE	DTA	DVA	DVM	DVS
12 1.2 bar	•	•	-	•	•	•	•	•	•	•
20 2.0 bar	•	•	•	-	•	•	•	•	•	-
25 2.5 bar	-	-	-	-	-	-	-	-	-	•
40 4.0 bar	-	-	-	•	-	-	-	-	-	•
50 5.0 bar	•	•	•	-	•	•	•	•	•	-

Seals	DEA	DEM	DEU	DES	DL	DT	DVA	DVM	DVS
H HNBR	•	•	-	•	•	•	•	•	•
V FPM	•	•	•	-	•	•	•	•	-

Thermostat	DEA	DEM	DEU	DES	DLA	DLE	DT
A Without thermostat	•	•	•	•	•	•	-
F With thermostat	-	•	-	-	-	•	•

Electrical connections	DEA	DEM	DEU	DES	DLA	DLE	DT
10 Connection AMP Superseal series 1.5	-	•	-	•	-	-	-
20 Connection AMP Timer Junior	-	•	-	-	-	-	-
30 Connection Deutsch DT-04-2-P	-	•	-	•	-	-	-
35 Connection Deutsch DT-04-3-P	-	•	-	-	-	-	-
50 Connection EN 175301-803	•	-	•	-	-	•	-
51 Connection EN 175301-803, transparent base with lamps 24 Vdc	-	-	-	-	•	-	-
52 Connection EN 175301-803, transparent base with lamps 110 Vdc	-	-	-	-	•	-	-
70 Connection IEC 61076-2-101 D (M12)	-	-	-	-	-	-	•
71 Connection IEC 61076-2-101 D (M12), black base with lamps 24 Vdc	-	-	-	-	•	-	-
80 Connection Stud #10-32 UNF	-	-	-	•	-	-	-

Option
P01 MP Filtri standard
Pxx Customized

Certifications	DEU	OTHERS
Without	-	•
UL UL certification	•	-

PLUGS

Series	Configuration example	T2	H
T2 Plug			
T4 Plug			

Seals	T2	T4
A NBR	-	•
H HNBR	•	-
V FPM	•	-