

MPTX series

Maximum working pressure up to 800 kPa (8 bar) - Flow rate up to 300 l/min





THE NEW FILTER CONCEPT

MPFX
MPLX
MPTX
MFBX
MFX
series

NEW FILTER ELEMENT WITH EXCLUSIVE INTERFACE CONNECTION

- **Protects the machine from improper use of non-original products.**
- **Safety of constant quality protection & reliability**

With exclusive filter element you are sure that only MP Filtri filter elements can be used, ensuring the best cleaning level of the oil due to the use of originals filter elements.



Filter element featuring our UNIQUE end cap with polygonal design.



UNIQUE polygonal spigot fitting within the filter bowl.

The products identified as MPFX, MPLX, MPTX, MFBX and MFX are protected by:

Italian Patent n° 102015000040473

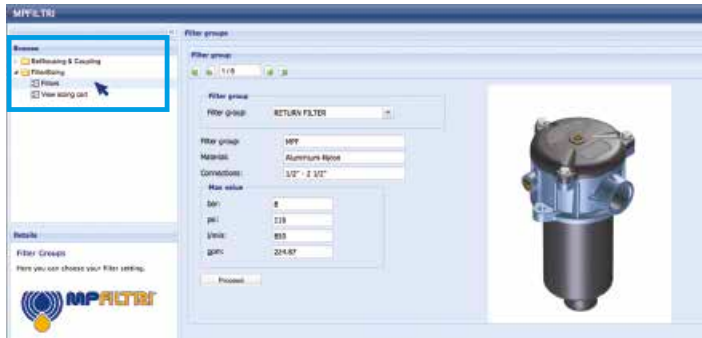
Canadian Patent n° 2,937,258

and by the following patent applications:

European Patent Pending: n° 16181725.9

US Patent Pending: n° 15/224,337

Step 1 Select "FILTERS"



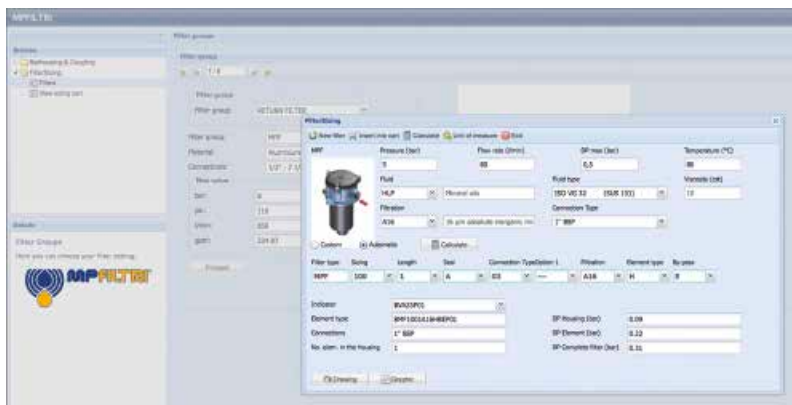
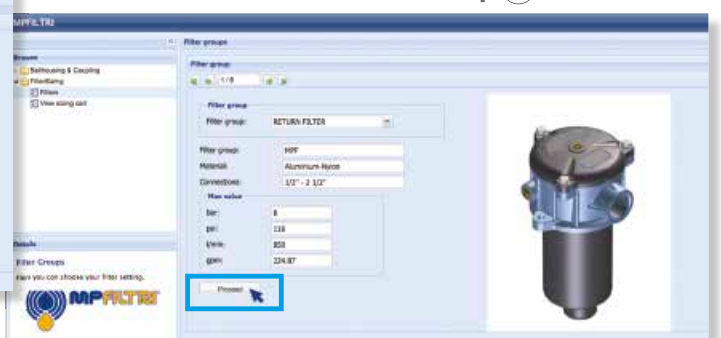
Step 2 Choose filter group (Return Filter, Pressure Filter, etc.)



Step 3 Choose filter type (MPF, MPT, etc.) in function of the max working pressure and the max flow rate



Step 4 Push "PROCEED"



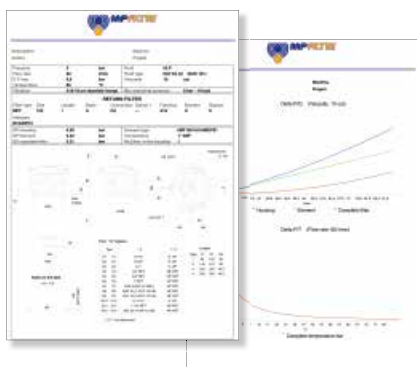
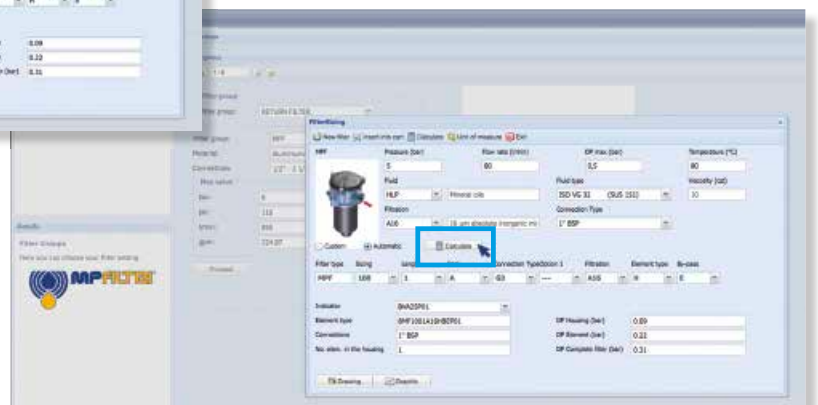
Step 5

Insert all application data to calculate the filter size following the sequence:


- working pressure
- working flow rate
- working pressure drop
- working temperature
- fluid material and fluid type
- filtration media
- connection type

Step 6

Push "CALCULATE" to have result; in case of any mistake, the system will advice which parameter is out of range to allow to modify/adjust the selection



Step 7

Download PDF  Datasheet "Report.aspx" pushing the button "Drawing"

Description

Technical data

Return filter

Maximum working pressure up to 800 kPa (8 bar)

Flow rate up to 300 l/min

MPTX is a range of return filters with integrated breather filter, for protection of the reservoir against the system contamination.

They are directly fixed to the reservoir, in immersed or semi-immersed position.

The filter output must be always immersed into the fluid to avoid aeration or foam generation into the reservoir.

Available features:

- Female threaded connections up to 1 1/4", for a maximum flow rate of 300 l/min
- Multiple connections, to connect several return lines or drains
- Fine filtration rating, to get a good cleanliness level into the reservoir
- Bypass valve integrated into the filter element, to relieve excessive pressure drop across the filter media
- 2, 3 or 6 fixing holes for installation, to suit a variety of reservoir surfaces
- O-ring or Flat Seal to suit a variety of reservoir surfaces
- Screw-in cover with a special shape, to allow the filter element replacement without the use of specific tools
- Oil dipstick, to easily check the level of the fluid into the reservoir (sold as separate item)
- Extension tube, to be used in deep reservoirs (sold as separate item)
- Diffuser, to reduce the risk of aeration, foaming and noise (sold as separate item)
- Integrated breather filter, to clean the air that moves into the reservoir as result of the oil level fluctuation
- Integrated breather filter with pressurization valve, to clean the air that moves into the reservoir as result of the oil level fluctuation and to guarantee the pressurization into the reservoir
- Visual, electrical and electronic clogging indicators
- MYclean interface connection, to protect the product against non-original spare parts
- External protective wrap, to optimize the flow through the element and to save the element efficiency against non-proper handling

Common applications:

- Light industrial equipment
- Mobile application

Filter housing materials

- Head: Aluminium
- Cover: Nylon
- Bowl: Nylon

Bypass valve

- Opening pressure 175 kPa (1.75 bar) $\pm 10\%$
- Opening pressure 300 kPa (3 bar) $\pm 10\%$

Δp element type

- Microfiber filter elements - series H: 10 bar
- Fluid flow through the filter element from OUT to IN

Seals

- Standard NBR series A
- Optional FPM series V

Temperature

From -25 °C to +110 °C

Note

MPTX filters are provided for vertical mounting



Weights [kg] and volumes [dm³]

| Filter series | Weights [kg] | | | | | Volumes [dm ³] | | | | |
|-----------------|--------------|------|------|------|------|----------------------------|------|------|------|------|
| | Length | 1 | 2 | 3 | 4 | Length | 1 | 2 | 3 | 4 |
| MPTX 025 | | 0.41 | 0.45 | 0.50 | - | | 0.24 | 0.35 | 0.42 | - |
| MPTX 027 | | 0.44 | 0.48 | 0.55 | - | | 0.24 | 0.35 | 0.42 | - |
| MPTX 110 | | 1.00 | 1.05 | 1.15 | 1.40 | | 0.72 | 0.93 | 1.28 | 1.74 |
| MPTX 114 | | 1.10 | 1.15 | 1.25 | 1.50 | | 0.72 | 0.93 | 1.28 | 1.74 |
| MPTX 116 | | 1.10 | 1.15 | 1.25 | 1.50 | | 0.72 | 0.93 | 1.28 | 1.74 |
| MPTX 120 | | 1.00 | 1.05 | 1.15 | 1.40 | | 0.72 | 0.93 | 1.28 | 1.74 |

| Filter series | Length | Filter element design - H series | | | | | Filter element design - N series | | |
|-------------------------------------|----------|----------------------------------|-----|-----|-----|-----|----------------------------------|-----|-----|
| | | A03 | A06 | A10 | A16 | A25 | M25 M60 M90 | P10 | P25 |
| MPTX 025-027 | 1 | 7 | 10 | 23 | 28 | 42 | 59 | 51 | 54 |
| | 2 | 17 | 20 | 45 | 48 | 56 | 72 | 64 | 67 |
| | 3 | 21 | 24 | 50 | 55 | 59 | 76 | 74 | 75 |
| MPTX 110-120 114-116 | 1 | 18 | 20 | 53 | 56 | 65 | 153 | 87 | 96 |
| | 2 | 28 | 38 | 65 | 75 | 95 | 158 | 111 | 123 |
| | 3 | 48 | 55 | 125 | 135 | 169 | 289 | 224 | 251 |
| | 4 | 79 | 89 | 180 | 185 | 198 | 306 | 264 | 289 |

Maximum flow rate for a complete return filter with a pressure drop $\Delta p = 0.5$ bar.

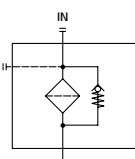
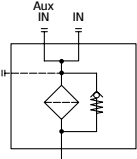
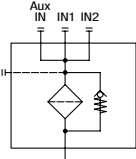
The reference fluid has a kinematic viscosity of 30 mm²/s (cSt) and a density of 0.86 kg/dm³.

For different pressure drop or fluid viscosity we recommend to use our selection software available on www.mpfiltri.com.

You can also calculate the right size using the formulas present on the FILTER SIZING paragraph at the beginning of the full catalogue or at the beginning of the filter family brochure. Please, contact our Sales Department for further additional information.

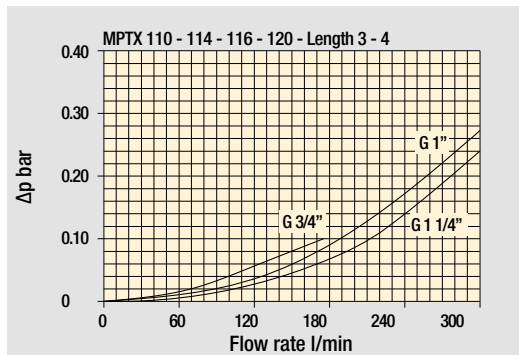
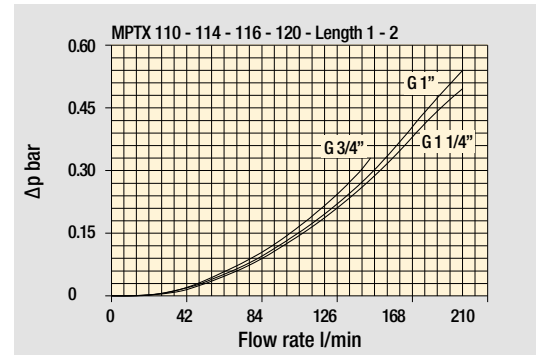
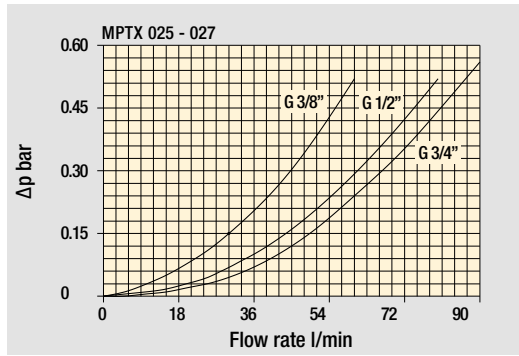
Hydraulic symbols

| Filter series | Style 1 connection | Style 2 connections | Style 3 connections |
|-----------------|--------------------|---------------------|---------------------|
| MPTX 025 | • | | |
| MPTX 027 | • | | |
| MPTX 110 | | • | |
| MPTX 114 | • | | |
| MPTX 116 | • | | |
| MPTX 120 | | | • |

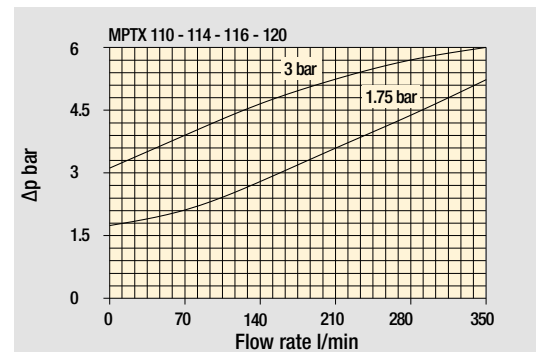
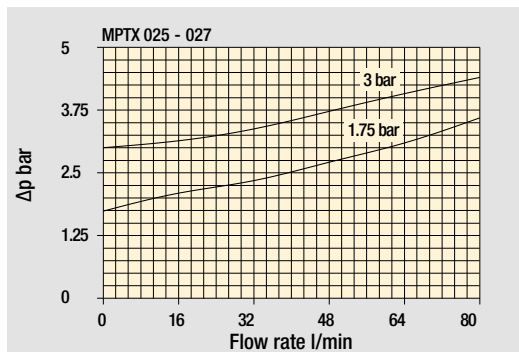
| | | |
|---|---|---|
|  |  |  |
|---|---|---|

Pressure drop

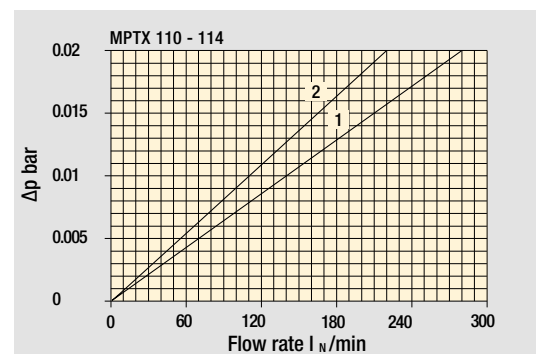
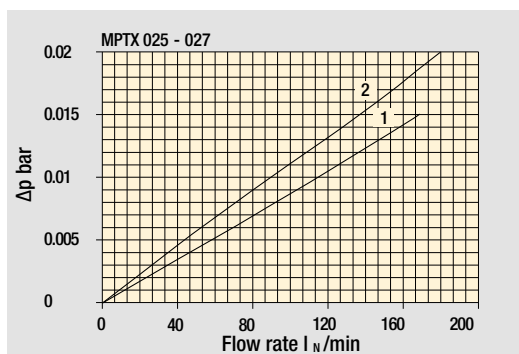
Filter housings Δp pressure drop



Bypass valve pressure drop



Air breather pressure drop







- 1 C With air breather 10 μm
- 2 D With anti-splash and SAP50 10 μm

The curves are plotted using mineral oil with density of 0.86 kg/dm³ in compliance with ISO 3968. Δp varies proportionally with density.

| MPTX 025 -027 | | |
|---|--|---|
| Air breather port plugged Indicator port | Air breather standard Indicator port | Anti-splash air breather & pressurized Double indicator port |
|  |  |  |

Multiport - Multifunction

| MPTX 110 | |
|---|--|
| Standard - Single IN Port | Double IN Port - Double indicator port |
|  |  |
| Double IN Port Option: double drain port | Double IN Port - Indicator port Option: drain port |
|  |  |

MPTX 120

Triple IN port
Option: double drain port



MPTX MPTX025 - MPTX027

Designation & Ordering code

COMPLETE FILTER

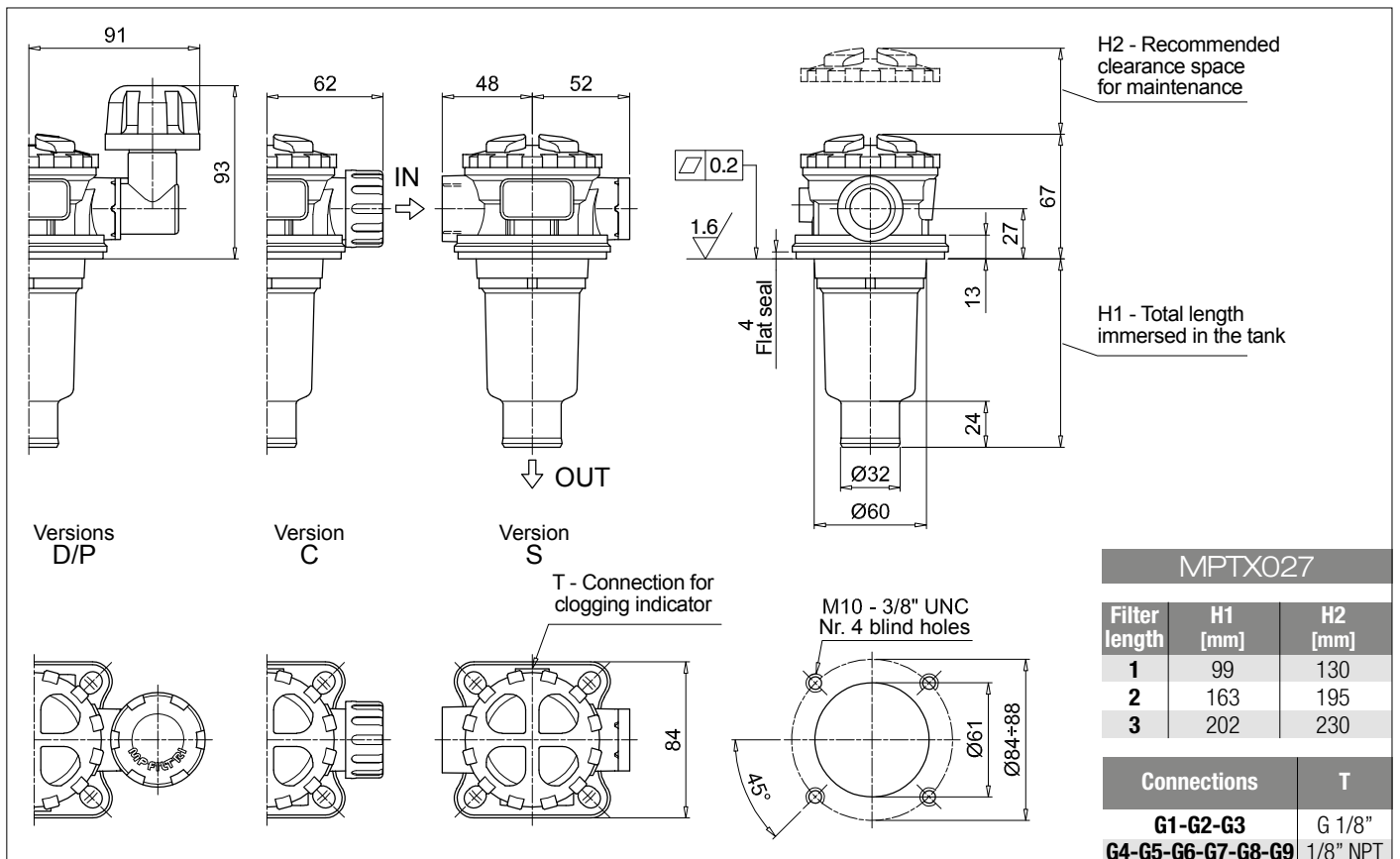
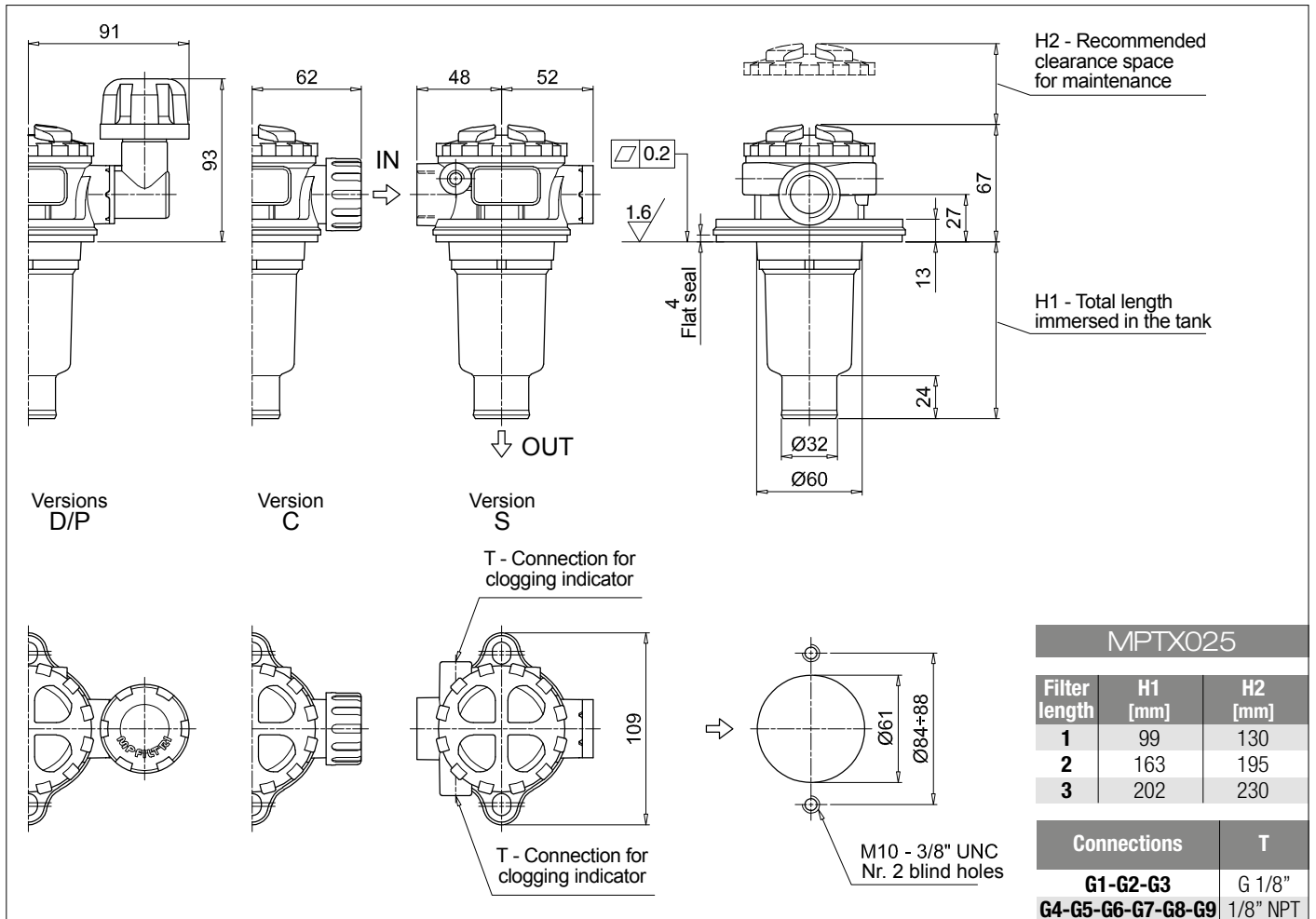
| | |
|--|---|
| Series and size MPTX025 MPTX027 Filter element with private spigot | Configuration example 1: MPTX025 1 S A G3 A10 E P01 |
| | Configuration example 2: MPTX027 3 C W G6 A03 B P01 |
| Length 1 2 3 | |
| Air breather S Without air breather C With air breather 10 µm D With anti-splash and air breather SAP050 10 µm P With anti-splash and air breather SAP050 10 µm, pressurization 0.5 bar | |
| Seals and treatments | Filtration rating |
| A NBR | Axx Mxx Pxx |
| V FPM | • • • |
| W NBR head anodized filter element compatible with fluids HFA-HFB-HFC | • • • |
| Z FPM head anodized | • • • |
| Connections | |
| G1 G 3/8" G6 3/4" NPT | |
| G2 G 1/2" G7 SAE 6 - 9/16" - 18 UNF | |
| G3 G 3/4" G8 SAE 8 - 3/4" - 16 UNF | |
| G4 3/8" NPT G9 SAE 12 - 1 1/16" - 12 UN | |
| G5 1/2" NPT | |
| Filtration rating (filter media) | |
| A03 Inorganic microfiber 3 µm M25 Wire mesh 25 µm | |
| A06 Inorganic microfiber 6 µm M60 Wire mesh 60 µm | |
| A10 Inorganic microfiber 10 µm M90 Wire mesh 90 µm | |
| A16 Inorganic microfiber 16 µm P10 Resin impregnated paper 10 µm | |
| A25 Inorganic microfiber 25 µm P25 Resin impregnated paper 25 µm | |
| | Bypass valve E 3 bar B 1.75 bar |
| | Execution P01 MP Filtri standard Pxx Customized |

FILTER ELEMENT

| | |
|--|--|
| Element series and size MFX020 Filter element with private spigot | Configuration example 2: MFX020 1 A10 H B E P01 |
| | Configuration example 1: MFX020 3 A03 W B P01 |
| Element length 1 2 3 | |
| Filtration rating (filter media) | |
| A03 Inorganic microfiber 3 µm M25 Wire mesh 25 µm | |
| A06 Inorganic microfiber 6 µm M60 Wire mesh 60 µm | |
| A10 Inorganic microfiber 10 µm M90 Wire mesh 90 µm | |
| A16 Inorganic microfiber 16 µm P10 Resin impregnated paper 10 µm | |
| A25 Inorganic microfiber 25 µm P25 Resin impregnated paper 25 µm | |
| Element Δp | Filter media |
| N 10 bar | Axx Mxx Pxx |
| H 10 bar | • • • |
| W 10 bar, compatible with fluids HFA, HFB and HFC | • • • |
| | Seals B NBR V FPM |
| | Bypass valve E 3 bar B 1.75 bar |
| | Execution P01 MP Filtri standard Pxx Customized |

ACCESSORIES

| | | | |
|---|------|---|---------|
| Indicators | page | | page |
| BVA Axial pressure gauge | 240 | BEA Electrical pressure indicator | 239 |
| BVR Radial pressure gauge | 240 | BEM Electrical pressure indicator | 239 |
| BVP Visual pressure indicator with automatic reset | 241 | BLA Electrical / visual pressure indicator | 239-240 |
| BVQ Visual pressure indicator with manual reset | 241 | | |
| Additional features | page | | |
| TE Extension tube | 248 | | |
| DPT Dipstick | 249 | | |



Designation & Ordering code

COMPLETE FILTER

| | | | | | | | | | | | |
|--|--|-------------------|--|-----------------------------|-----|---|-----------------------|------------------------|--|--|--|
| Series and size | | | Configuration example 1: MPTX110 1 S A G1 0 A06 E P01 | | | | | | | | |
| MPTX110 Filter element with private spigot | | | Configuration example 2: MPTX110 3 P V G4 1 M25 B P01 | | | | | | | | |
| Length | | | | | | | | | | | |
| 1 2 3 4 | | | | | | | | | | | |
| Air breather | | | | | | | | | | | |
| S Without air breather | | | | | | | | | | | |
| C With air breather 10 µm | | | | | | | | | | | |
| D With anti-splash and air breather SAP050 10 µm | | | | | | | | | | | |
| P With anti-splash and air breather SAP050 10 µm, pressurization 0.5 bar | | | | | | | | | | | |
| Seals and treatments | | | Filtration rating | | | | | | | | |
| | | | Axx | Mxx | Pxx | | | | | | |
| A NBR | | | • | • | • | | | | | | |
| V FPM | | | • | • | • | | | | | | |
| W NBR head anodized | | | • | • | | filter element compatible with fluids HFA-HFB-HFC | | | | | |
| Z FPM head anodized | | | • | • | | | | | | | |
| Main Connections | | Aux size 1 | Aux size 2 | Main Connections | | Aux size 1 | Aux size 2 | | | | |
| G1 G 3/4" | | G 3/8" | G 1/2" | G6 1 1/4" NPT | | 3/8" NPT | 1/2" NPT | | | | |
| G2 G 1" | | | | G7 SAE 12 - 1 1/16" - 12 UN | | SAE 6 - 9/16" - 18 UNF | SAE 8 - 3/4" - 16 UNF | | | | |
| G3 G 1 1/4" | | 3/8" NPT | 1/2" NPT | G8 SAE 16 - 1 5/16" - 12 UN | | | | | | | |
| G4 3/4" NPT | | | | G9 SAE 20 - 1 5/8" - 12 UN | | | | | | | |
| G5 1" NPT | | | | | | | | | | | |
| Aux connection - see previous table | | | | | | | | | | | |
| 0 Not machined 1 Aux size 1 2 Aux size 2 | | | | | | | | | | | |
| Filtration rating (filter media) | | | | | | | | | | | |
| A03 Inorganic microfiber 3 µm | | | M25 Wire mesh 25 µm | | | | | | | | |
| A06 Inorganic microfiber 6 µm | | | M60 Wire mesh 60 µm | | | | | | | | |
| A10 Inorganic microfiber 10 µm | | | M90 Wire mesh 90 µm | | | | | | | | |
| A16 Inorganic microfiber 16 µm | | | P10 Resin impregnated paper 10 µm | | | | | | | | |
| A25 Inorganic microfiber 25 µm | | | P25 Resin impregnated paper 25 µm | | | | | | | | |
| | | | | | | Bypass valve | | Execution | | | |
| | | | | | | E 3 bar | | P01 MP Filtri standard | | | |
| | | | | | | B 1.75 bar | | Pxx Customized | | | |

FILTER ELEMENT

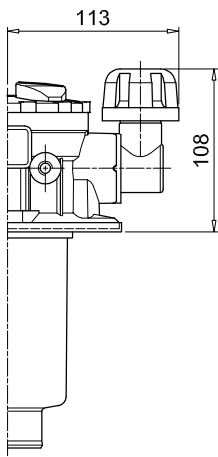
| | | | | | | | | | | | |
|---|--|--|---|-----|-----|--------------|--|---------------------|--|------------------------|--|
| Element series and size | | | Configuration example 1: MFXX100 1 A06 H B E P01 | | | | | | | | |
| MFXX100 Filter element with private spigot | | | Configuration example 2: MFXX100 3 M25 N V P01 | | | | | | | | |
| Element length | | | | | | | | | | | |
| 1 2 3 4 | | | | | | | | | | | |
| Filtration rating (filter media) | | | | | | | | | | | |
| A03 Inorganic microfiber 3 µm | | | M25 Wire mesh 25 µm | | | | | | | | |
| A06 Inorganic microfiber 6 µm | | | M60 Wire mesh 60 µm | | | | | | | | |
| A10 Inorganic microfiber 10 µm | | | M90 Wire mesh 90 µm | | | | | | | | |
| A16 Inorganic microfiber 16 µm | | | P10 Resin impregnated paper 10 µm | | | | | | | | |
| A25 Inorganic microfiber 25 µm | | | P25 Resin impregnated paper 25 µm | | | | | | | | |
| Element Δp | | | Filter media | | | | | | | | |
| | | | Axx | Mxx | Pxx | | | | | | |
| N 10 bar | | | • | • | • | | | | | | |
| H 10 bar | | | • | | | | | | | | |
| W 10 bar, compatible with fluids HFA, HFB and HFC | | | • | • | | | | | | | |
| | | | | | | Seals | | Bypass valve | | Execution | |
| | | | | | | B NBR | | E 3 bar | | P01 MP Filtri standard | |
| | | | | | | V FPM | | 1.75 bar | | Pxx Customized | |

ACCESSORIES

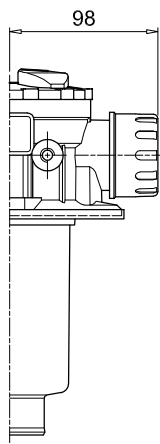
| | | | | | |
|----------------------------|--|------|-----|--|---------|
| Indicators | | page | | | page |
| BVA | Axial pressure gauge | 240 | BEA | Electrical pressure indicator | 239 |
| BVR | Radial pressure gauge | 240 | BEM | Electrical pressure indicator | 239 |
| BVP | Visual pressure indicator with automatic reset | 241 | BLA | Electrical / visual pressure indicator | 239-240 |
| BVQ | Visual pressure indicator with manual reset | 241 | | | |
| Additional features | | page | | | page |
| TE | Extension tube | 248 | DPT | Dipstick | 249 |
| DFS | Diffuser with fast lock connection | 249 | | | |

| MPTX110 | | |
|---------------|---------|---------|
| Filter length | H1 [mm] | H2 [mm] |
| 1 | 99 | 120 |
| 2 | 144 | 170 |
| 3 | 222 | 250 |
| 4 | 324 | 350 |

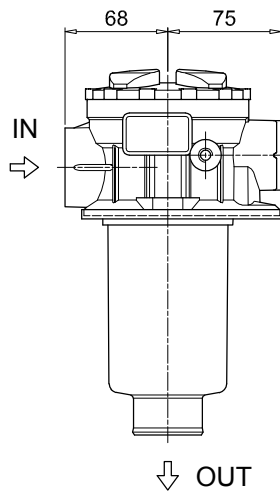
| Connections | T |
|-------------------|----------|
| G1-G2-G3 | G 1/8" |
| G4-G5-G6-G7-G8-G9 | 1/8" NPT |



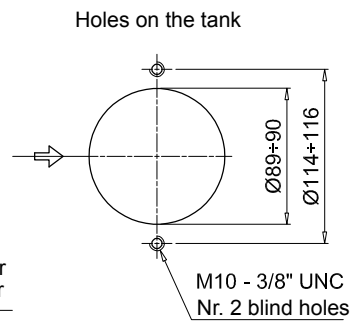
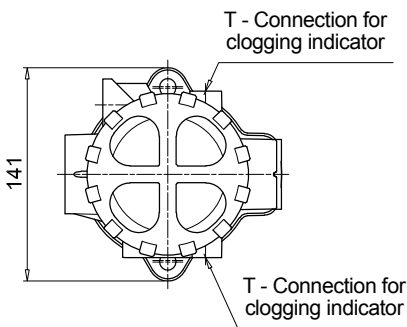
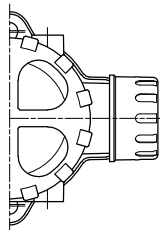
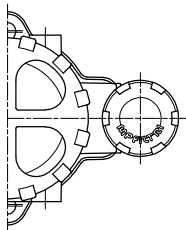
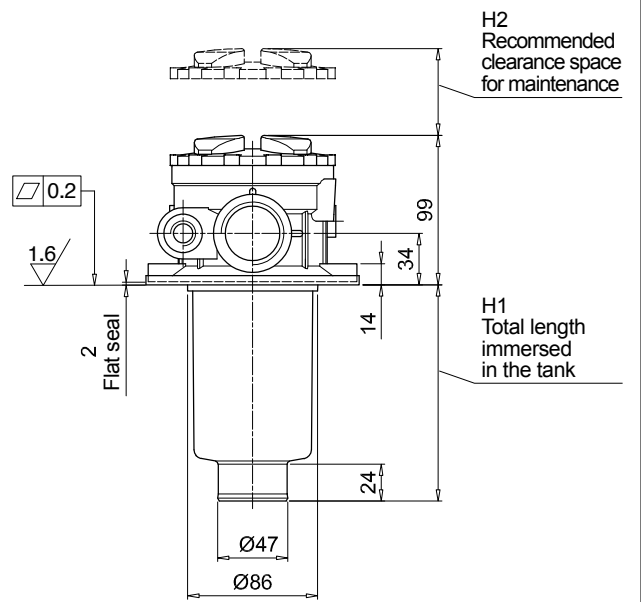
Versions D/P



Version C



Version S



Designation & Ordering code

COMPLETE FILTER

| | | | | | | | | | |
|---|--------------------------|---------|---|---|---|----|-----|---|-----|
| Series and size | Configuration example 1: | MPTX114 | 4 | S | A | G3 | A10 | E | P01 |
| MPTX114 Filter element with private spigot | Configuration example 2: | MPTX114 | 3 | C | W | G6 | A03 | B | P01 |

| | |
|---------------|--|
| Length | |
| 1 2 3 4 | |

| | |
|--|--|
| Air breather | |
| S Without air breather | |
| C With air breather 10 µm | |
| D With anti-splash and air breather SAP050 10 µm | |
| P With anti-splash and air breather SAP050 10 µm pressurization 0.5 bar | |

| Seals and treatments | Filtration rating | | |
|-----------------------------|-------------------|-----|-----|
| | Axx | Mxx | Pxx |
| A NBR | • | • | • |
| V FPM | • | • | • |
| W NBR head anodized | • | • | |
| Z FPM head anodized | • | • | |

| | |
|--------------------|------------------------------------|
| Connections | |
| G1 G 3/4" | G6 1 1/4" NPT |
| G2 G 1" | G7 SAE 12 - 1 1/16" - 12 UN |
| G3 G 1 1/4" | G8 SAE 16 - 1 5/16" - 12 UN |
| G4 3/4" NPT | G9 SAE 20 - 1 5/8" - 12 UN |
| G5 1" NPT | |

| | |
|---|--|
| Filtration rating (filter media) | |
| A03 Inorganic microfiber 3 µm | M25 Wire mesh 25 µm |
| A06 Inorganic microfiber 6 µm | M60 Wire mesh 60 µm |
| A10 Inorganic microfiber 10 µm | M90 Wire mesh 90 µm |
| A16 Inorganic microfiber 16 µm | P10 Resin impregnated paper 10 µm |
| A25 Inorganic microfiber 25 µm | P25 Resin impregnated paper 25 µm |

| | |
|---------------------|-------------------------------|
| Bypass valve | Execution |
| E 3 bar | P01 MP Filtri standard |
| B 1.75 bar | Pxx Customized |

FILTER ELEMENT

| | | | | | | | | |
|--|--------------------------|--------|---|-----|---|---|---|-----|
| Element series and size | Configuration example 2: | MFx100 | 4 | A10 | H | B | E | P01 |
| MFx100 Filter element with private spigot | Configuration example 1: | MFx100 | 3 | A03 | W | B | | P01 |

| | |
|-----------------------|--|
| Element length | |
| 1 2 3 4 | |

| | |
|---|--|
| Filtration rating (filter media) | |
| A03 Inorganic microfiber 3 µm | M25 Wire mesh 25 µm |
| A06 Inorganic microfiber 6 µm | M60 Wire mesh 60 µm |
| A10 Inorganic microfiber 10 µm | M90 Wire mesh 90 µm |
| A16 Inorganic microfiber 16 µm | P10 Resin impregnated paper 10 µm |
| A25 Inorganic microfiber 25 µm | P25 Resin impregnated paper 25 µm |

| Element Δp | Filter media | | |
|--|--------------|-----|-----|
| | Axx | Mxx | Pxx |
| N 10 bar | | • | • |
| H 10 bar | • | | |
| W 10 bar, compatible with fluids HFA, HFB and HFC | • | • | |

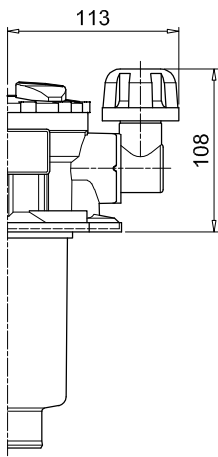
| | | |
|--------------|---------------------|-------------------------------|
| Seals | Bypass valve | Execution |
| B NBR | E 3 bar | P01 MP Filtri standard |
| V FPM | 1.75 bar | Pxx Customized |

ACCESSORIES

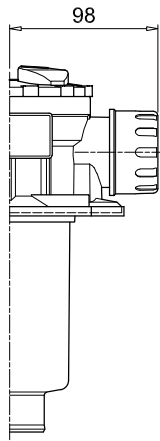
| | | | |
|---|------|---|---------|
| Indicators | page | | page |
| BVA Axial pressure gauge | 240 | BEA Electrical pressure indicator | 239 |
| BVR Radial pressure gauge | 240 | BEM Electrical pressure indicator | 239 |
| BVP Visual pressure indicator with automatic reset | 241 | BLA Electrical / visual pressure indicator | 239-240 |
| BVQ Visual pressure indicator with manual reset | 241 | | |
| Additional features | page | | page |
| TE Extension tube | 248 | DPT Dipstick | 249 |
| DFS Diffuser with fast lock connection | 249 | | |

| MPTX114 | | |
|---------------|---------|---------|
| Filter length | H1 [mm] | H2 [mm] |
| 1 | 99 | 120 |
| 2 | 144 | 170 |
| 3 | 222 | 250 |
| 4 | 324 | 350 |

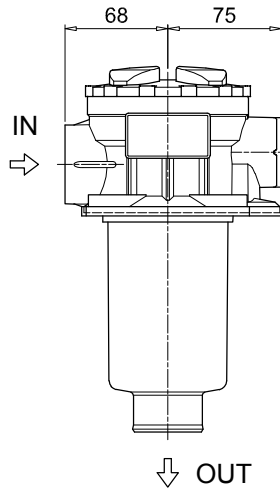
| Connections | T |
|-------------------|----------|
| G1-G2-G3 | G 1/8" |
| G4-G5-G6-G7-G8-G9 | 1/8" NPT |



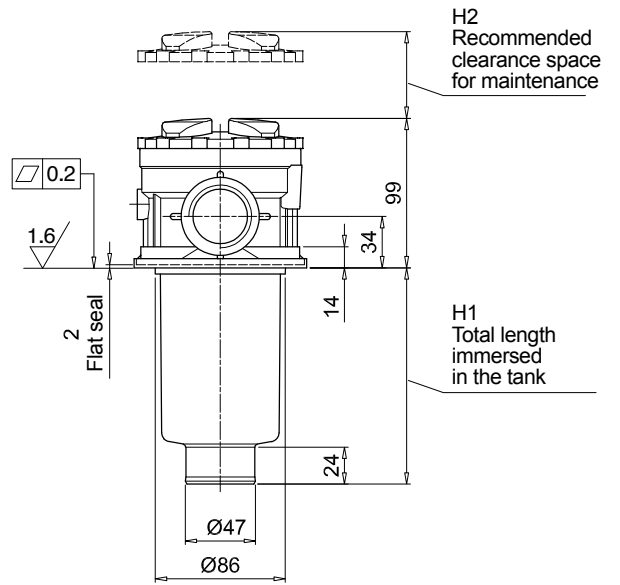
Versions D/P



Version C

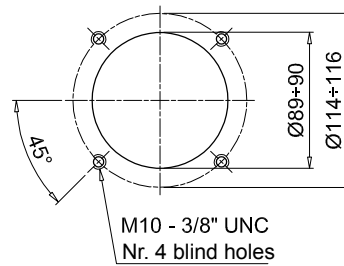
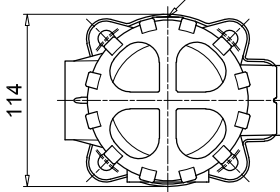
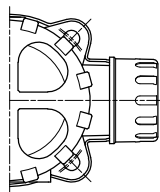
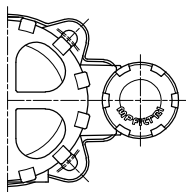


Version S



T - Connection for clogging indicator

Holes on the tank



M10 - 3/8" UNC
Nr. 4 blind holes

Designation & Ordering code

COMPLETE FILTER

| | | | | | | | | | |
|---|--------------------------|---------|---|---|---|----|-----|---|-----|
| Series and size | Configuration example 1: | MPTX116 | 1 | S | A | G1 | M90 | E | P01 |
| MPTX116 Filter element with private spigot | Configuration example 2: | MPTX116 | 2 | S | Z | G9 | A03 | B | P01 |

| | |
|---------------|--|
| Length | |
| 1 2 3 4 | |

| | |
|------------------------|--|
| Air breather | |
| S Without air breather | |

| Seals and treatments | Filtration rating | | |
|----------------------|-------------------|-----|-----|
| | Axx | Mxx | Pxx |
| A NBR | • | • | • |
| V FPM | • | • | • |
| W NBR head anodized | • | • | |
| Z FPM head anodized | • | • | |

filter element compatible with fluids HFA-HFB-HFC

Flat seal on the head on request

| | |
|--------------------|-----------------------------|
| Connections | |
| G1 G 3/4" | G6 1 1/4" NPT |
| G2 G 1" | G7 SAE 12 - 1 1/16" - 12 UN |
| G3 G 1 1/4" | G8 SAE 16 - 1 5/16" - 12 UN |
| G4 3/4" NPT | G9 SAE 20 - 1 5/8" - 12 UN |
| G5 1" NPT | |

| | |
|---|-----------------------------------|
| Filtration rating (filter media) | |
| A03 Inorganic microfiber 3 µm | M25 Wire mesh 25 µm |
| A06 Inorganic microfiber 6 µm | M60 Wire mesh 60 µm |
| A10 Inorganic microfiber 10 µm | M90 Wire mesh 90 µm |
| A16 Inorganic microfiber 16 µm | P10 Resin impregnated paper 10 µm |
| A25 Inorganic microfiber 25 µm | P25 Resin impregnated paper 25 µm |

| | |
|---------------------|------------------------|
| Bypass valve | Execution |
| E 3 bar | P01 MP Filtri standard |
| B 1.75 bar | Pxx Customized |

FILTER ELEMENT

| | | | | | | | | |
|--|--------------------------|--------|---|-----|---|---|---|-----|
| Element series and size | Configuration example 2: | MFX100 | 1 | M90 | N | B | E | P01 |
| MFX100 Filter element with private spigot | Configuration example 1: | MFX100 | 2 | A03 | W | V | | P01 |

| | |
|-----------------------|--|
| Element length | |
| 1 2 3 4 | |

| | |
|---|-----------------------------------|
| Filtration rating (filter media) | |
| A03 Inorganic microfiber 3 µm | M25 Wire mesh 25 µm |
| A06 Inorganic microfiber 6 µm | M60 Wire mesh 60 µm |
| A10 Inorganic microfiber 10 µm | M90 Wire mesh 90 µm |
| A16 Inorganic microfiber 16 µm | P10 Resin impregnated paper 10 µm |
| A25 Inorganic microfiber 25 µm | P25 Resin impregnated paper 25 µm |

| Element Δp | Filter media | | |
|---|--------------|-----|-----|
| | Axx | Mxx | Pxx |
| N 10 bar | | • | • |
| H 10 bar | • | | |
| W 10 bar, compatible with fluids HFA, HFB and HFC | • | • | |

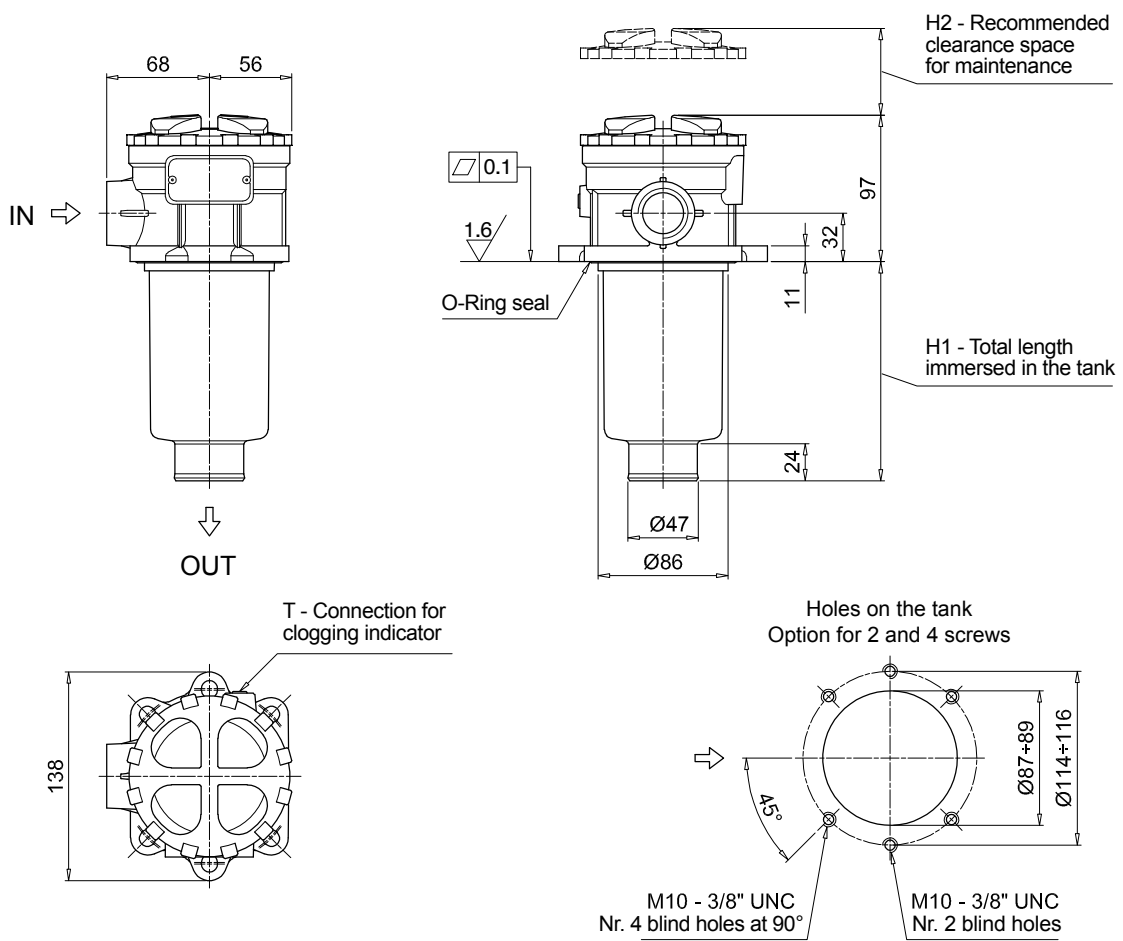
| | | |
|--------------|---------------------|------------------------|
| Seals | Bypass valve | Execution |
| B NBR | E 3 bar | P01 MP Filtri standard |
| V FPM | 1.75 bar | Pxx Customized |

ACCESSORIES

| Indicators | page | | page |
|--|------|--|---------|
| BVA Axial pressure gauge | 240 | BEA Electrical pressure indicator | 239 |
| BVR Radial pressure gauge | 240 | BEM Electrical pressure indicator | 239 |
| BVP Visual pressure indicator with automatic reset | 241 | BLA Electrical / visual pressure indicator | 239-240 |
| BVQ Visual pressure indicator with manual reset | 241 | | |
| Additional features | page | | page |
| TE Extension tube | 248 | DPT Dipstick | 249 |
| DFS Diffuser with fast lock connection | 249 | | |

| MPTX116 | | |
|---------------|---------|---------|
| Filter length | H1 [mm] | H2 [mm] |
| 1 | 99 | 120 |
| 2 | 146 | 170 |
| 3 | 224 | 250 |
| 4 | 326 | 350 |

| Connections | T |
|--------------------------|----------|
| G1-G2-G3 | G 1/8" |
| G4-G5-G6-G7-G8-G9 | 1/8" NPT |



Designation & Ordering code

COMPLETE FILTER

| | | | | | | | | | |
|---|--------------------------|---------|---|---|----|---|-----|---|-----|
| Series and size | Configuration example 1: | MPTX120 | 1 | A | G1 | 0 | A06 | E | P01 |
| MPTX120 Filter element with private spigot | Configuration example 2: | MPTX120 | 3 | V | G4 | 1 | M25 | B | P01 |

| | |
|---------------|--|
| Length | |
| 1 2 3 4 | |

| Seals and treatments | Filtration rating | | |
|----------------------------|-------------------|-----|-----|
| | Axx | Mxx | Pxx |
| A NBR | • | • | • |
| V FPM | • | • | • |
| W NBR head anodized | • | • | |
| Z FPM head anodized | • | • | |

| Main Connections | Rear connections | Aux size 1 | Aux size 2 |
|------------------------------------|--------------------------|------------------------|-----------------------|
| G1 G 3/4" | G 3/4" | | |
| G2 G 1" | G 1" | G 3/8" | G 1/2" |
| G3 G 1 1/4" | G 3/4" | | |
| G4 3/4" NPT | 3/4" NPT | | |
| G5 1" NPT | 1" NPT | 3/8" NPT | 1/2" NPT |
| G6 1 1/4" NPT | 3/4" NPT | | |
| G7 SAE 12 - 1 1/16" - 12 UN | SAE 12 - 1 1/16" - 12 UN | | |
| G8 SAE 16 - 1 5/16" - 12 UN | SAE 16 - 1 5/16" - 12 UN | SAE 6 - 9/16" - 18 UNF | SAE 8 - 3/4" - 16 UNF |
| G9 SAE 20 - 1 5/8" - 12 UN | SAE 12 - 1 1/16" - 12 UN | | |

| |
|--|
| Aux connection - see previous table |
| 0 Not machined 1 Aux size 1 2 Aux size 2 |

| Filtration rating (filter media) | |
|---------------------------------------|--|
| A03 Inorganic microfiber 3 µm | M25 Wire mesh 25 µm |
| A06 Inorganic microfiber 6 µm | M60 Wire mesh 60 µm |
| A10 Inorganic microfiber 10 µm | M90 Wire mesh 90 µm |
| A16 Inorganic microfiber 16 µm | P10 Resin impregnated paper 10 µm |
| A25 Inorganic microfiber 25 µm | P25 Resin impregnated paper 25 µm |

| Bypass valve | Execution |
|-------------------|-------------------------------|
| E 3 bar | P01 MP Filtri standard |
| B 1.75 bar | Pxx Customized |

FILTER ELEMENT

| | | | | | | | | |
|--|--------------------------|--------|---|-----|---|---|---|-----|
| Element series and size | Configuration example 1: | MFx100 | 1 | A06 | H | B | E | P01 |
| MFx100 Filter element with private spigot | Configuration example 2: | MFx100 | 3 | M25 | N | V | | P01 |

| | |
|-----------------------|--|
| Element length | |
| 1 2 3 4 | |

| Filtration rating (filter media) | |
|---------------------------------------|--|
| A03 Inorganic microfiber 3 µm | M25 Wire mesh 25 µm |
| A06 Inorganic microfiber 6 µm | M60 Wire mesh 60 µm |
| A10 Inorganic microfiber 10 µm | M90 Wire mesh 90 µm |
| A16 Inorganic microfiber 16 µm | P10 Resin impregnated paper 10 µm |
| A25 Inorganic microfiber 25 µm | P25 Resin impregnated paper 25 µm |

| Element Δp | Filter media | | |
|--|--------------|-----|-----|
| | Axx | Mxx | Pxx |
| N 10 bar | | • | • |
| H 10 bar | • | | |
| W 10 bar, compatible with fluids HFA, HFB and HFC | • | • | |

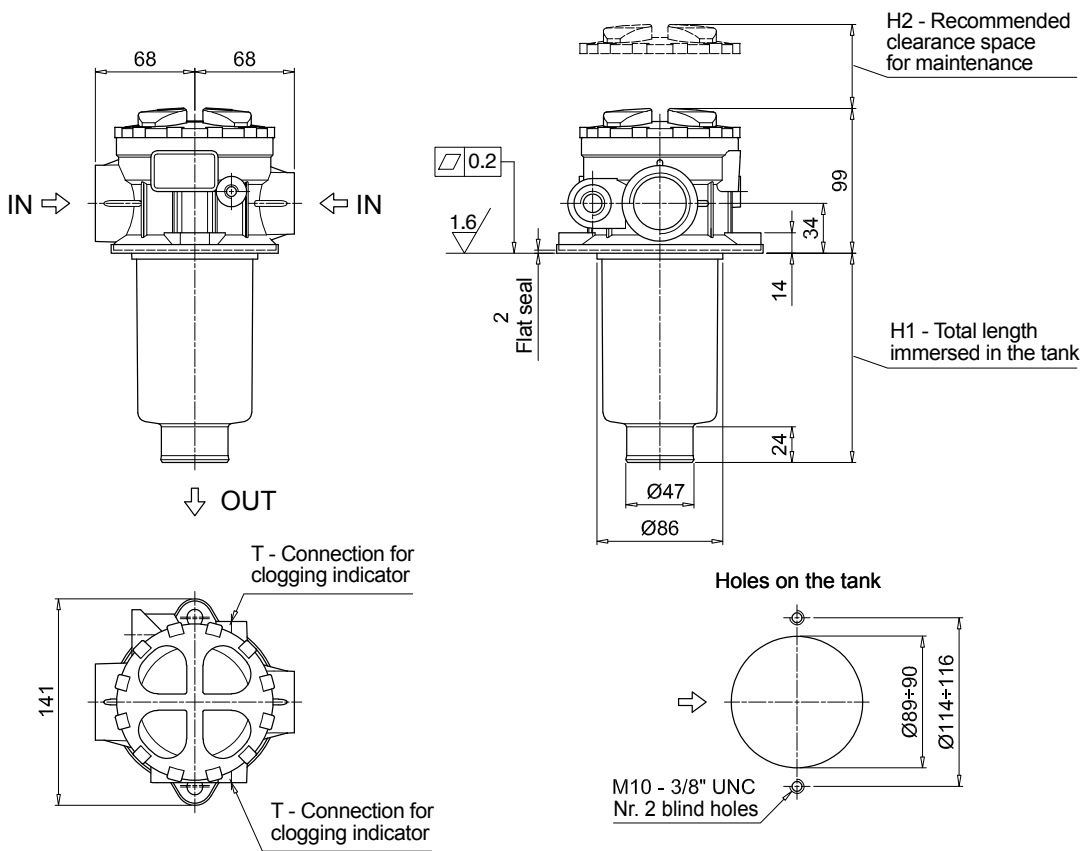
| Seals | Bypass valve | Execution |
|--------------|----------------|-------------------------------|
| B NBR | E 3 bar | P01 MP Filtri standard |
| V FPM | 1.75 bar | Pxx Customized |

ACCESSORIES

| Indicators | page | | page |
|---|------|---|---------|
| BVA Axial pressure gauge | 240 | BEA Electrical pressure indicator | 239 |
| BVR Radial pressure gauge | 240 | BEM Electrical pressure indicator | 239 |
| BVP Visual pressure indicator with automatic reset | 241 | BLA Electrical / visual pressure indicator | 239-240 |
| BVQ Visual pressure indicator with manual reset | 241 | | |
| Additional features | page | | page |
| TE Extension tube | 248 | DPT Dipstick | 249 |
| DFS Diffuser with fast lock connection | 249 | | |

| MPTX120 | | |
|---------------|---------|---------|
| Filter length | H1 [mm] | H2 [mm] |
| 1 | 99 | 120 |
| 2 | 144 | 170 |
| 3 | 222 | 250 |
| 4 | 324 | 350 |

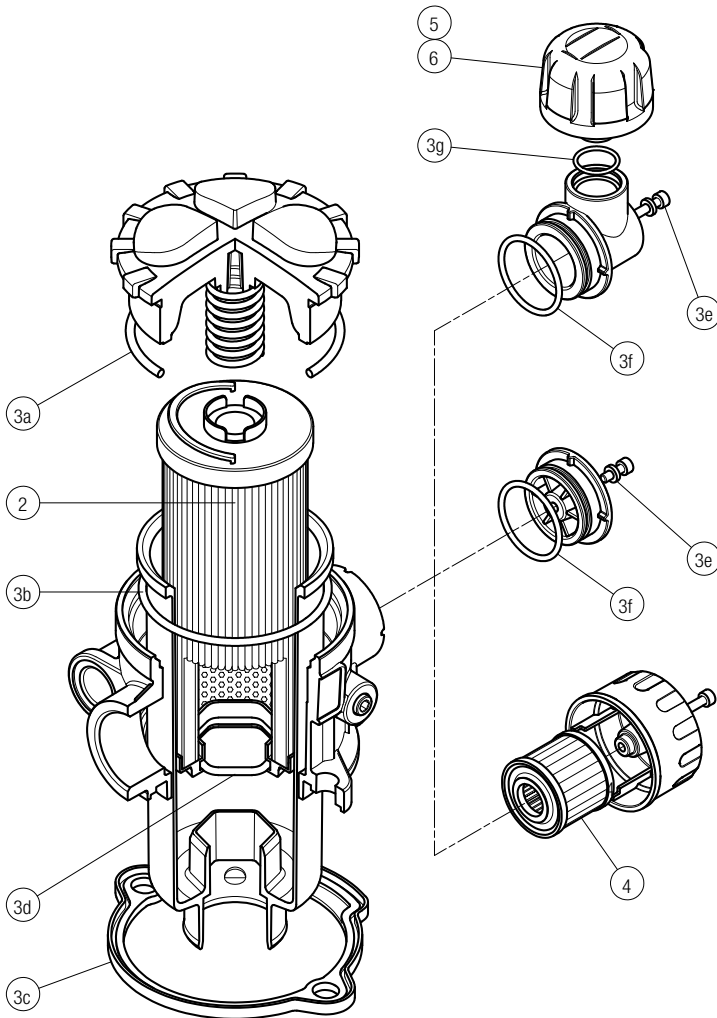
| Connections | T |
|--------------------------|----------|
| G1-G2-G3 | G 1/8" |
| G4-G5-G6-G7-G8-G9 | 1/8" NPT |



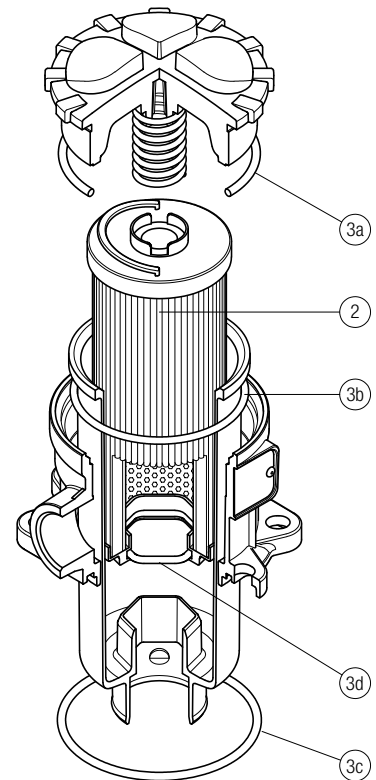
MPTX SPARE PARTS

Order number for spare parts

MPTX 025 - 027 - 110



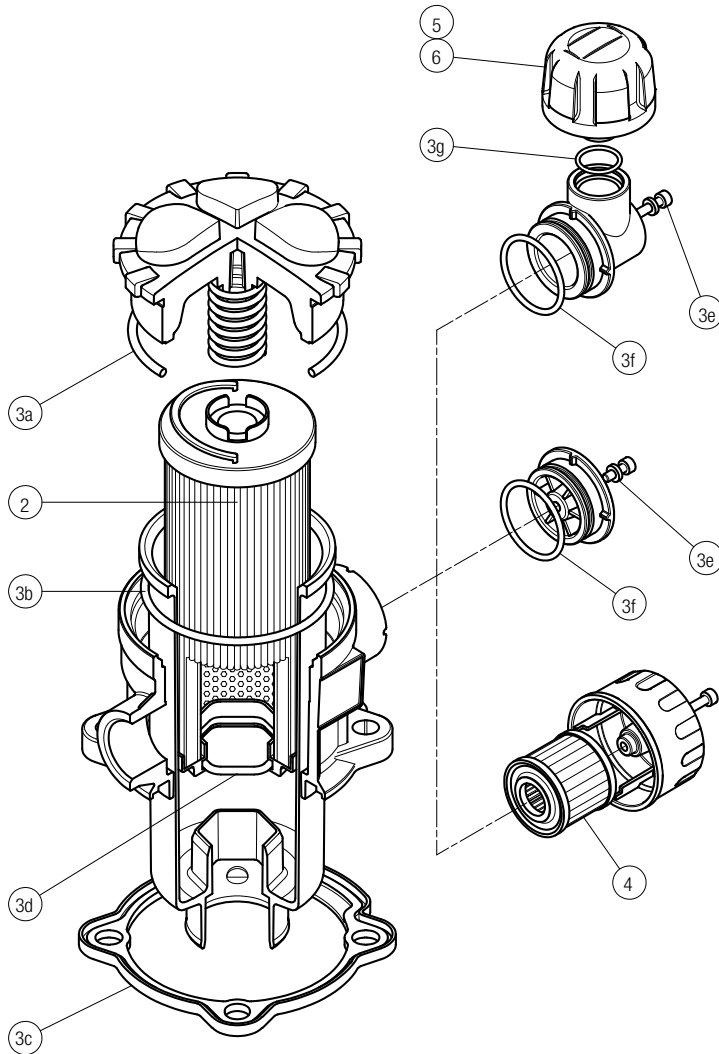
MPTX 116



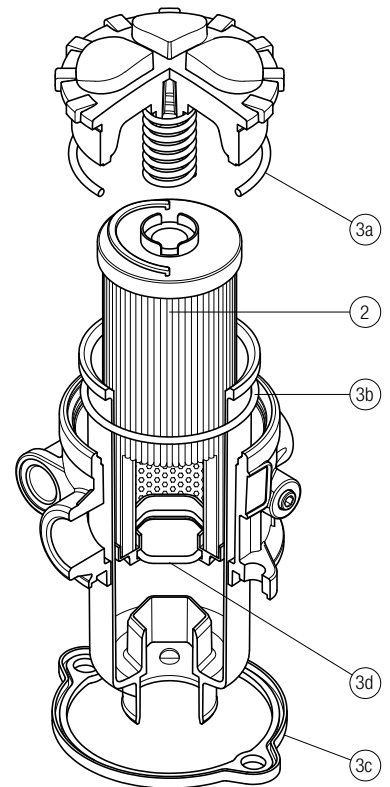
| Item: | Q.ty: 1 pc. | Q.ty: 1 pc. | Q.ty: 1 pc. | Q.ty: 1 pc. | Q.ty: 1 pc. | |
|-----------------|-----------------|--------------------------|-------------|--|-----------------------|-----------------------|
| Filter series | Filter element | Seal Kit code number NBR | FPM | Air breather filter element - version: | | |
| | | | | C | D | P |
| MPTX 025 | See order table | 02050701 | 02050702 | 10 µm A3L03 | 10 µm SAP50G3L03A0P01 | 10 µm SAP50G3L03A1P01 |
| MPTX 027 | | 02050703 | 02050704 | 10 µm A3L03 | 10 µm SAP50G3L03A0P01 | 10 µm SAP50G3L03A1P01 |
| MPTX 110 | | 02050709 | 02050710 | 10 µm A5L03 | 10 µm SAP50G3L03A0P01 | 10 µm SAP50G3L03A1P01 |

| Item: | Q.ty: 1 pc. | Q.ty: 1 pc. | |
|-----------------|-----------------|--------------------------|----------|
| Filter series | Filter element | Seal Kit code number NBR | FPM |
| MPTX 116 | See order table | 02050737 | 02050738 |

MPTX 114



MPTX 120



| Item: | Q.ty: 1 pc. | Q.ty: 1 pc. | Q.ty: 1 pc. | Q.ty: 1 pc. | Q.ty: 1 pc. | |
|-----------------|-----------------|----------------------|-------------|--|--------------------------|--------------------------|
| Filter series | Filter element | Seal Kit code number | | Air breather filter element - version: | | |
| | | NBR | FPM | C | D | P |
| MPTX 114 | See order table | 02050707 | 02050708 | 10 µm A5L03 | 10 µm SAP50G3L03A0P01 | 10 µm SAP50G3L03A1P01 |

| Item: | Q.ty: 1 pc. | Q.ty: 1 pc. | |
|-----------------|-----------------|----------------------|----------|
| Filter series | Filter element | Seal Kit code number | |
| | | NBR | FPM |
| MPTX 120 | See order table | 02050711 | 02050712 |